

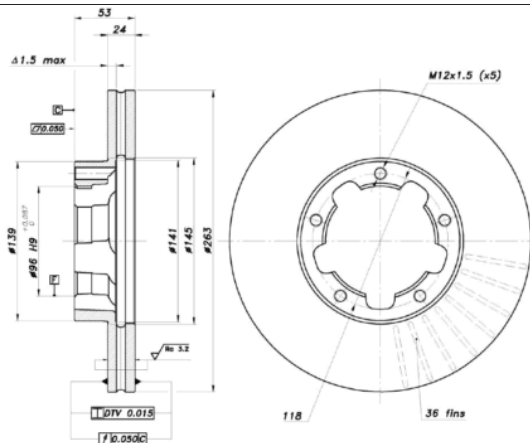
LISTA DE APLICACIONES - BUYERS GUIDE

78BD0052-2



Weight: 12.560

O.E.M.	MAKE
061002950	NISSAN
40206F3902	NISSAN
40206F3904	NISSAN
40206G4800	NISSAN



78BD0052-2



Ø263x24x53

MAKE
NISSAN



Trac.	CC	Kw	CV	Hourglass icon	Front / Rear
-------	----	----	----	----------------	--------------

NISSAN

							Platform/Chassis (LCVs-N1 Segment)		
CABSTAR / ATLAS (TL_, VL_) 07.92-11.06									
75.28 (TL0) (LD23)		Diesel	RWD	2283	55	75	10.98-10.06	■	
90.32, 90.28, 95.32, 95.28 (TL0) (TD27T)		Diesel	RWD	2664	66	90	10.98-10.06	■	
95.32 (TD27)		Diesel	RWD	2664	70	95	04.02-06.04	■	
28.10, 32.10 (BD-30TI)		Diesel	RWD	2953	77	105	01.04-11.06	■	
105.35, 110.35, 110.45 (TL0) (BD-30TI)		Diesel	RWD	2953	78	106	10.98-10.06	■	
120.35, 120.45 (TL0) (BD-30TI)		Diesel	RWD	2953	88	120	10.98-10.06	■	
125.35, 125.45 (TL0, VL0) (BD-30TI)		Diesel	RWD	2953	92	125	10.98-10.06	■	
ECO-T 01.97-12.00							Platform/Chassis		
100.35 (BD30TI)		Diesel		2953	80	109	01.97-12.00	■	
100.35 (BD-30TI)		Diesel		2953	80	109	01.97-12.00	■	
100.45 (BD30TI)		Diesel		2953	80	109	01.97-12.00	■	
100.45 (BD-30TI)		Diesel		2953	80	109	01.97-12.00	■	
100.56 (10035/10045/10056)		Diesel		2953	80	109	01.97-12.00	■	
100.56 (BD-30TI)		Diesel		2953	80	109	01.97-12.00	■	
L Series 01.95-12.00							Platform/Chassis		
35.085 (BD30II)		Diesel		2953	63	86	01.95-12.00	■	
TRADE 06.96-10.01							Bus (Minibus-M2-Segment)		
3.0 TDiC (BD-30TI)		Diesel	RWD	2953	78	106	06.96-10.01	■	
TRADE 11.86-06.94							Platform/Chassis (LCVs-N1 Segment)		
2.0 D (LD20)		Diesel	RWD	1952	44	60	11.86-03.93	■	
2.0 D (LD20)		Diesel	RWD	1952	49	67	04.93-10.98	■	

LISTA DE APLICACIONES - BUYERS GUIDE

2.3 D (LD23)		Diesel	RWD	2283	55	75	06.96-10.01	■	
2.8 D (A428II)		Diesel	RWD	2820	59	80	12.86-06.94	■	
3.0 D (BD30II)		Diesel	RWD	2953	63	86	04.93-10.98	■	
3.0 D (BD30II)		Diesel	RWD	2953	63	86	01.94-12.98	■	
3.0 D (BD-30TI)		Diesel	RWD	2953	78	106	01.96-12.98	■	
3.0 TDiC (BD-30TI)		Diesel	RWD	2953	78	106	06.96-10.01	■	
TRADE 11.86-03.93							Van (LCVs-N1 Segment)		
2.0 D (LD20)		Diesel	RWD	1952	44	60	11.86-03.93	■	
2.0 D (LD20)		Diesel	RWD	1952	49	67	04.93-10.98	■	
75 (LD23)		Diesel	RWD	2283	55	75	05.97-12.00	■	
3.0 D (BD30II)		Diesel	RWD	2953	63	86	04.93-10.98	■	
100 (BD-30TI)		Diesel	RWD	2953	78	106	01.96-12.98	■	
3.0 TDiC (BD-30TI)		Diesel	RWD	2953	78	106	06.96-10.01	■	