

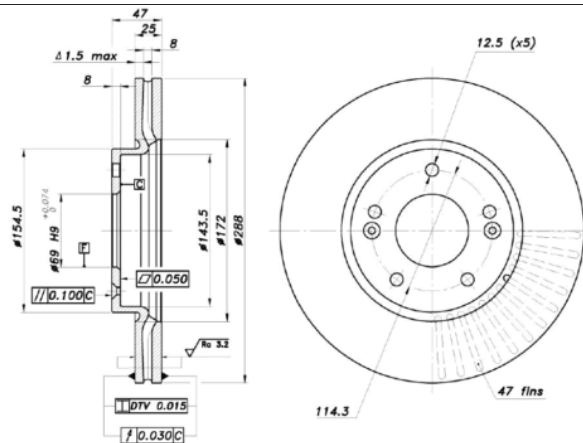
LISTA DE APLICACIONES - BUYERS GUIDE

78BD0054-2



Weight: 15.200

O.E.M.	MAKE
51712G4000	HYUNDAI



78BD0054-2



Ø288x25x47

MAKE
HYUNDAI KIA



Trac.	CC	Kw	CV
-------	----	----	----



Front / Rear

HYUNDAI

							Hatchback Van (Compact car-C Segment)		
i30 III (PDE) 11.16-									
1.0 T-GDI (G3LC)	Rim 15	Gasolina	FWD	998	88	120	11.16-	■	
1.4 T-GDI (G4LD)	Rim 15	Gasolina	FWD	1353	103	140	11.16-12.20	■	
i30 III (PDE, PD, PDEN) 11.16-							Hatchback (Compact car-C Segment)		
1.0 T-GDI (G3LC)	Rim 15	Gasolina	FWD	998	88	120	11.16-	■	
1.0 T-GDI (G3LC)	Rim 15	Gasolina	FWD	998	88	120	06.17-	■	
1.4 T-GDI (G4LD)	Rim 15	Gasolina	FWD	1353	103	140	11.16-12.20	■	
1.4 T-GDI (G4LD)	Rim 15	Gasolina	FWD	1353	103	140	06.17-	■	
1.5 (G4LG)	Rim 15	Gasolina	FWD	1498	81	110	06.20-	■	
1.6 16V	Rim 15	Gasolina	FWD	1591	94	128	07.17-	■	
1.6 T-GDI	Rim 15	Gasolina	FWD	1591	150	204	11.16-	■	
2.0	Rim 15	Gasolina	FWD	1999	120	163	11.16-	■	
1.0 T-GDI hibrid 48V (G3LC)	Rim 15	Gasol./el éc.	FWD	998	88	120	03.20-	■	
1.0 T-GDI hibrid 48V (G3LC)	Rim 15	Gasol./el éc.	FWD	998	88	120	06.20-	■	
1.5 T-GDI Hibrid 48V (G4LH)	Rim 15	Gasol./el éc.	FWD	1482	118	160	03.20-	■	
1.5 T-GDI Hibrid 48V (G4LH)	Rim 15	Gasol./el éc.	FWD	1482	118	160	03.20-	■	
1.6 CRDi hibrid 48V (D4FE)	Rim 15	Diesel/el éc.	FWD	1598	100	136	03.20-	■	
1.6 CRDi hibrid 48V (D4FE)	Rim 15	Diesel/el éc.	FWD	1598	100	136	03.20-	■	
1.6 CRDI (D4FB)	Rim 15	Diesel	FWD	1582	70	95	11.16-	■	
1.6 CRDI (D4FB)	Rim 15	Diesel	FWD	1582	81	110	11.16-	■	
1.6 CRDI (D4FB)	Rim 15	Diesel	FWD	1582	100	136	11.16-	■	

LISTA DE APLICACIONES - BUYERS GUIDE

1.6 CRDI (D4FB)	Rim 15	Diesel	FWD	1582	100	136	12.17-01.22	■	
1.6 CRDI (D4FE)	Rim 15	Diesel	FWD	1598	70	95	08.18-	■	
1.6 CRDI (D4FE)	Rim 15	Diesel	FWD	1598	81	110	08.18-	■	
1.6 CRDI (D4FE)	Rim 15	Diesel	FWD	1598	85	116	08.18-	■	
1.6 CRDI (D4FE)	Rim 15	Diesel	FWD	1598	100	136	08.18-	■	
1.6 CRDI	Rim 15	Diesel	FWD	1598	100	136	09.18-	■	
i30 III Combi Van (PDE) 03.17-							Estate Van (Compact car-C Segment)		
1.0 T-GDI (G3LC)	Rim 15	Gasolina	FWD	998	88	120	03.17-	■	
1.4 T-GDI (G4LD)	Rim 15	Gasolina	FWD	1353	103	140	03.17-12.20	■	
1.6 CRDi VGT (D4FB)	Rim 15	Diesel	FWD	1582	81	110	03.17-	■	
1.6 CRDi VGT (D4FB)	Rim 15	Diesel	FWD	1582	100	136	03.17-	■	
i30 III CW (PDE) 03.17-							Estate (Compact car-C Segment)		
1.0 T-GDI (G3LC)	Rim 15	Gasolina	FWD	998	88	120	03.17-	■	
1.4 T-GDI (G4LD)	Rim 15	Gasolina	FWD	1353	103	140	03.17-12.20	■	
1.5 (G4LG)	Rim 15	Gasolina	FWD	1498	81	110	06.20-	■	
1.0 T-GDI hybrid 48V (G3LC)	Rim 15	Gasol./el éc.	FWD	998	88	120	03.20-	■	
1.5 T-GDI Hybrid 48V (G4LH)	Rim 15	Gasol./el éc.	FWD	1482	118	160	03.20-	■	
1.6 CRDi hybrid 48V (D4FE)	Rim 15	Diesel/el éc.	FWD	1598	100	136	03.20-	■	
1.6 CRDI (D4FB)	Rim 15	Diesel	FWD	1582	81	110	03.17-	■	
1.6 CRDI (D4FB)	Rim 15	Diesel	FWD	1582	94	128	08.18-	■	
1.6 CRDI (D4FB)	Rim 15	Diesel	FWD	1582	100	136	03.17-	■	
1.6 CRDI (D4FE)	Rim 15	Diesel	FWD	1598	81	110	08.18-	■	
1.6 CRDI (D4FE)	Rim 15	Diesel	FWD	1598	85	116	08.18-	■	
1.6 CRDI (D4FE)	Rim 15	Diesel	FWD	1598	100	136	08.18-	■	
KIA									
CEE'D III (CD) 03.18-							Hatchback (Compact car-C Segment)		
1.0 T-GDI (G3LC)	Rim 15	Gasolina	FWD	998	74	101	09.19-	■	
1.0 T-GDI (G3LC)	Rim 15	Gasolina	FWD	998	88	120	03.18-	■	
1.4 T-GDI (G4LD)	Rim 15	Gasolina	FWD	1353	103	140	03.18-12.20	■	
1.4 (G4LC)	Rim 15	Gasolina	FWD	1368	73	99	03.18-12.20	■	
1.5 T-GDI		Gasolina	FWD	1482	103	140	02.24-	■	
1.5 T-GDI	Rim 15	Gasolina	FWD	1482	118	160	01.21-	■	
1.6 (G4FG)	Rim 15	Gasolina	FWD	1591	94	128	03.18-	■	
1.4 LPG (G4LC)	Rim 15	Gasol./Gas (LPG)	FWD	1368	71	97	12.18-12.20	■	
1.5 T-GDi MHEV		Gasol./el éc.	FWD	1482	103	140	02.24-	■	
1.6 CRDi 115 (D4FE)	Rim 15	Diesel	FWD	1598	85	116	03.18-	■	
1.6 CRDi 136 (D4FE)	Rim 15	Diesel	FWD	1598	100	136	03.18-	■	
CEE'D III Combi Van (CD) 03.18-							Estate Van (Compact car-C Segment)		
T-GDI (G3LC)	Rim 15	Gasolina	FWD	998	88	120	05.18-	■	
1.4 T-GDI (G4LD)	Rim 15	Gasolina	FWD	1353	103	140	04.18-12.20	■	
CRDi 115 (D4FE)	Rim 15	Diesel	FWD	1598	85	116	05.18-	■	
CRDI 136 (D4FE)	Rim 15	Diesel	FWD	1598	100	136	05.18-	■	
CEE'D III Sport Wagon (CD) 03.18-							Estate (Compact car-C Segment)		
1.0 T-GDI (G3LC)	Rim 15	Gasolina	FWD	998	74	101	09.19-	■	
1.0 T-GDI (G3LC)	Rim 15	Gasolina	FWD	998	88	120	05.18-	■	
1.4 T-GDI (G4LD)	Rim 15	Gasolina	FWD	1353	103	140	04.18-12.20	■	
1.4 (G4LC)	Rim 15	Gasolina	FWD	1368	73	99	04.18-12.20	■	

LISTA DE APLICACIONES - BUYERS GUIDE

1.5 T-GDI		Gasolina	FWD	1482	103	140	02.24-	■	
1.5 T-GDI	Rim 15	Gasolina	FWD	1482	118	160	01.21-	■	
1.4 LPG (G4LC)	Rim 15	Gasol./Gas (LPG)	FWD	1368	71	97	12.18-12.20	■	
1.5 T-GDi MHEV		Gasol./el éc.	FWD	1482	103	140	02.24-	■	
1.6 CRDi 115 (D4FE)	Rim 15	Diesel	FWD	1598	85	116	05.18-	■	
1.6 CRDi 136 (D4FE)	Rim 15	Diesel	FWD	1598	100	136	05.18-	■	
CEE'D III Van (CD) 03.18-							Hatchback Van (Compact car-C Segment)		
T-GDI (G3LC)	Rim 15	Gasolina	FWD	998	88	120	03.18-	■	
1.4 T-GDI (G4LD)	Rim 15	Gasolina	FWD	1353	103	140	03.18-12.20	■	
T-GDI GT (G4FJ)	Rim 15	Gasolina	FWD	1591	150	204	10.18-	■	
CRDi 115 (D4FE)	Rim 15	Diesel	FWD	1598	85	116	03.18-	■	
CRDI 136 (D4FE)	Rim 15	Diesel	FWD	1598	100	136	03.18-	■	
PRO CEE'D III (CD) 10.18-							Estate Van (Compact car-C Segment)		
1.4 T-GDI (G4LD)	Rim 15	Gasolina	FWD	1353	103	140	10.18-12.20	■	
1.6 CRDi 136 (D4FE)	Rim 15	Diesel	FWD	1598	100	136	10.18-	■	
PRO CEE'D III (CD) 10.18-							Estate (Compact car-C Segment)		
1.0 T-GDI (G3LC)	Rim 15	Gasolina	FWD	998	88	120	10.18-	■	
1.4 T-GDI (G4LD)	Rim 15	Gasolina	FWD	1353	103	140	10.18-12.20	■	
1.6 CRDi 136 Eco-Dynamics+ (D4FE)	Rim 15	Diesel/el éc.	FWD	1598	100	136	12.19-	■	
1.6 CRDi 136 (D4FE)	Rim 15	Diesel	FWD	1598	100	136	10.18-	■	