

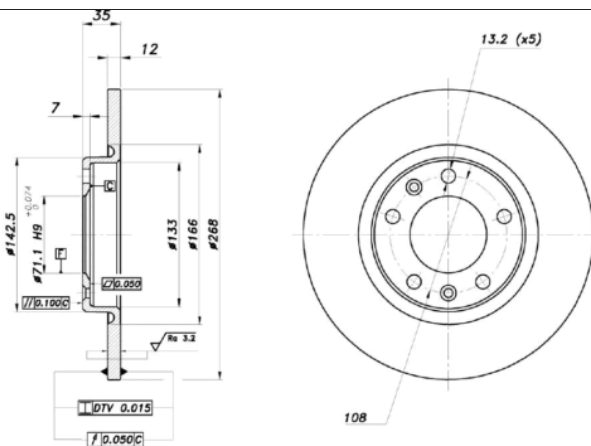
LISTA DE APLICACIONES - BUYERS GUIDE

78BD0073-2



Weight: 8.600

O.E.M.	MAKE
1609582880	CITROËN
1642776380	CITROËN



78BD0073-2



Ø268x12x35

MAKE
CITROËN
CITROËN (DF-PSA)
DS
FIAT
OPEL
PEUGEOT
PEUGEOT (DF-PSA)
TOYOTA
VAUXHALL



Trac.	CC	Kw	CV			Front / Rear
-------	----	----	----	--	--	--------------

CITROËN

BERLINGO III (K9) 06.18-								Box Body/MPV (LCVs-N1 Segment)	
PureTech 110 (HNP (EB2ADT))		Gasolina	FWD	1199	81	110	06.18-		■
PureTech 130 (HNS (EB2ADTS))		Gasolina	FWD	1199	96	131	10.19-		■
1.6 16V Flex		Gasol./Etanol	FWD	1587	90	122	10.18-		■
è-BERLINGO		Eléctrico	FWD		100	136	07.21-		■
1.5 BlueHDi 75 (YHW (DV5RE))		Diesel	FWD	1499	55	75	10.19-		■
1.5 BlueHDi 100 (YHY (DV5RD))		Diesel	FWD	1499	75	102	06.18-		■
1.5 BlueHDi 130 (YHZ (DV5RC))		Diesel	FWD	1499	96	131	06.18-		■
1.5 BlueHDi 130 4x4 (YHZ (DV5RC))		Diesel	4WD	1499	96	131	06.18-		■
1.6 BlueHDi 75 (BHW (DV6FE))		Diesel	FWD	1560	55	75	06.18-04.20		■
1.6 BlueHDi 100 (BHY (DV6FD))		Diesel	FWD	1560	73	99	06.18-04.21		■
BERLINGO III (ER_, EC_) 06.18-								MPV (Large MPV-M1 Segment)	
1.2 PureTech 110 (HNP (EB2ADT))		Gasolina	FWD	1199	81	110	06.18-		■
1.2 PureTech 130 (HNS (EB2ADTS))		Gasolina	FWD	1199	96	131	07.19-		■
è-BERLINGO		Eléctrico	FWD		100	136	07.21-		■
1.5 BlueHDi 75 (YHW (DV5RE))		Diesel	FWD	1499	56	76	06.18-		■
1.5 BlueHDi 100 (YHY (DV5RD))		Diesel	FWD	1499	75	102	06.18-		■
1.5 BlueHDi 130 (ECYHZJ, ECYHZR) (YHZ (DV5RC))		Diesel	FWD	1499	96	131	06.18-		■
1.6 HDI 92		Diesel	FWD	1560	68	92	09.18-		■
1.6 BlueHDi 100		Diesel	FWD	1560	73	99	01.19-		■
C4 II Grand Picasso (DA_, DE_) 06.13-								MPV (Large MPV-M1 Segment)	
1.2 THP 130 (HNY (EB2DTS))		Gasolina	FWD	1199	96	130	04.14-		■

LISTA DE APLICACIONES - BUYERS GUIDE

1.6 VTI 120 (5FS (EP6C))		Gasolina	FWD	1598	88	120	09.13-	■
1.6 THP 150 (5FX (EP6DT))		Gasolina	FWD	1598	110	150	09.14-	■
1.6 THP 155 (5FV (EP6CDT))		Gasolina	FWD	1598	115	156	09.13-	■
1.6 THP 165 (5GZ (EP6FDT))		Gasolina	FWD	1598	121	165	07.14-	■
1.6 HDi 90 (9HP (DV6DTE))		Diesel	FWD	1560	68	92	09.13-	■
1.6 BlueHDi 100 (BHY (DV6FD))		Diesel	FWD	1560	73	99	01.15-04.16	■
1.6 HDi / BlueHDi 115 (9HC (DV6C))		Diesel	FWD	1560	85	115	09.13-03.18	■
1.6 HDi / BlueHDi 115 (BHX (DV6FC))		Diesel	FWD	1560	85	115	09.13-03.18	■
1.6 BlueHDi 120 (BHZ (DV6FC))		Diesel	FWD	1560	88	120	07.14-12.18	■
2.0 BlueHDi 135 (AHV (DW10FD))		Diesel	FWD	1997	100	136	09.13-	■
2.0 BlueHDi 135 (RHD (DW10CB))		Diesel	FWD	1997	100	136	09.13-	■
2.0 BlueHDi 150 (AHR (DW10FD))		Diesel	FWD	1997	110	150	06.13-	■
2.0 BlueHDi 150 (AHX (DW10FD))		Diesel	FWD	1997	110	150	06.13-	■
C4 II PICASSO (DD_) 01.13-				Box Body/MPV (Compact MPV-M1 Segment)				
VTi 120 (DD5FS0)		Gasolina	FWD	1598	88	120	02.13-	■
THP 155 (DD5FV8)		Gasolina	FWD	1598	115	156	02.13-	■
HDi / e-HDi (DD9HP0, DD9HPT)		Diesel	FWD	1560	68	92	02.13-	■
e-HDi (DD9HC8, DD9HCT)		Diesel	FWD	1560	85	116	02.13-	■
BlueHDi 150 (DDAHXT)		Diesel	FWD	1997	110	150	09.13-	■
C4 II PICASSO 01.13-				MPV (Compact MPV-M1 Segment)				
1.2 THP 110 (HNZ (EB2DT))		Gasolina	FWD	1199	81	110	04.16-	■
1.2 THP 130 (HNY (EB2DTS))		Gasolina	FWD	1199	96	130	04.14-	■
1.6 VTI 120 (5FS (EP6C))		Gasolina	FWD	1598	88	120	02.13-	■
1.6 THP 150 (5FX (EP6DT))		Gasolina	FWD	1598	110	150	09.14-	■
1.6 THP 155 (5FV (EP6CDT))		Gasolina	FWD	1598	115	156	02.13-	■
1.6 THP 165 (5GZ (EP6FDT))		Gasolina	FWD	1598	121	165	07.14-	■
2.0 i 16V		Gasolina	FWD	1997	105	143	06.13-12.14	■
1.6 HDi 90 (9HP (DV6DTE))		Diesel	FWD	1560	68	92	02.13-	■
1.6 BlueHDi 100 (BHY (DV6FD))		Diesel	FWD	1560	73	99	12.14-12.18	■
1.6 HDi / BlueHDi 115 (9HC (DV6C))		Diesel	FWD	1560	85	115	02.13-03.18	■
1.6 HDi / BlueHDi 115 (BHX (DV6FC))		Diesel	FWD	1560	85	115	02.13-03.18	■
1.6 BlueHDi 120 (BHZ (DV6FC))		Diesel	FWD	1560	88	120	07.14-12.18	■
2.0 BlueHDi 135 (AHV (DW10FD))		Diesel	FWD	1997	100	136	09.13-	■
2.0 BlueHDi 135 (RHD (DW10CB))		Diesel	FWD	1997	100	136	09.13-	■
2.0 BlueHDi 150 (AHE (DW10FD))		Diesel	FWD	1997	110	150	09.13-	■
2.0 BlueHDi 150 (AHR (DW10FD))		Diesel	FWD	1997	110	150	09.13-	■
2.0 BlueHDi 150 (AHX (DW10FD))		Diesel	FWD	1997	110	150	09.13-	■
C4 SPACETOURER (3D_) 04.18-				MPV (Compact MPV-M1 Segment)				
1.2 PureTech 110 (HNX (EB2DTSD))		Gasolina	FWD	1199	81	110	04.18-	■
1.2 PureTech 130 (HNY (EB2DTS))		Gasolina	FWD	1199	96	131	04.18-	■
1.6 THP 165 (5GZ (EP6FDT))		Gasolina	FWD	1598	121	165	04.18-	■
1.5 BlueHDi 130 (YHZ (DV5RC))		Diesel	FWD	1499	96	131	05.18-	■
1.6 BlueHDi 100 (BHY (DV6FD))		Diesel	FWD	1560	73	99	04.18-04.19	■
1.6 BlueHDi 120 (BHZ (DV6FC))		Diesel	FWD	1560	88	120	04.18-04.19	■
2.0 BlueHDi 150 (AHX (DW10FD))		Diesel	FWD	1997	110	150	04.18-	■
2.0 BlueHDi 160 (EHY (DW10FCC))		Diesel	FWD	1997	120	163	04.18-	■
C4 SPACETOURER Van (3D_) 04.18-				Box Body/MPV (Compact car-C Segment)				
PureTech 130 (HNY (EB2DTS))		Gasolina	FWD	1199	96	131	05.19-	■
BlueHDi 130 (YHZ (DV5RC))		Diesel	FWD	1499	96	131	05.19-	■

LISTA DE APLICACIONES - BUYERS GUIDE

BlueHDi 120 (BHZ (DV6FC))		Diesel	FWD	1560	88	120	05.19-	■
GRAND C4 SPACETOURER Van (3A_, 3E_) 04.18-					Box Body/MPV (Compact car-C Segment)			
PureTech 130 (HNY (EB2DTS))		Gasolina	FWD	1199	96	131	05.19-	■
BlueHDi 130 (YHZ (DV5RC))		Diesel	FWD	1499	96	131	05.19-	■
BlueHDi 160 (EHY (DW10FCC))		Diesel	FWD	1997	120	163	05.19-	■
GRAND C4 SPACETOURER (3A_, 3E_) 04.18-					MPV (Large MPV-M1 Segment)			
1.2 PureTech 130 (HNS (EB2ADTS))		Gasolina	FWD	1199	96	131	04.18-	■
1.2 PureTech 130 (HNY (EB2DTS))		Gasolina	FWD	1199	96	131	04.18-	■
1.6 THP 165 (5GX (EP6FDTMD))		Gasolina	FWD	1598	110	150	04.18-	■
1.6 THP 165 (5GZ (EP6FDT))		Gasolina	FWD	1598	121	165	04.18-	■
1.6 PureTech 180 (5GF (EP6FADTXD))		Gasolina	FWD	1598	133	181	04.18-	■
1.5 BlueHDi 130 (YHZ (DV5RC))		Diesel	FWD	1499	96	131	05.18-	■
1.6 BlueHDi 100 (BHY (DV6FD))		Diesel	FWD	1560	73	99	04.18-04.19	■
1.6 HDi 115 (9HC (DV6C))		Diesel	FWD	1560	85	116	04.18-	■
1.6 BlueHDi 120 (BHZ (DV6FC))		Diesel	FWD	1560	88	120	04.18-08.18	■
2.0 BlueHDi 150 (AHR (DW10FD))		Diesel	FWD	1997	110	150	04.18-	■
2.0 BlueHDi 150 (AHX (DW10FD))		Diesel	FWD	1997	110	150	04.18-	■
2.0 BlueHDi 160 (EHY (DW10FCC))		Diesel	FWD	1997	120	163	04.18-	■
CITROËN (DF-PSA)								
C5 AIRCROSS 09.17-					SUV (Large family car-D Segment)			
350 THP (5G02 10UF01 (EP6FDTM))		Gasolina	FWD	1598	123	167	09.17-	■
360 THP (5H04 (EP6FDTXD))		Gasolina	FWD	1598	125	170	04.19-	■
380 THP (6G01 10UF51 (EP8FDT))		Gasolina	FWD	1751	150	204	09.17-	■
400THP (6G03(EP8FADTX))		Gasolina	FWD	1751	155	211	05.19-	■
DS								
DS 4 II (FR_, FB_, F3_, FP_, F4_) 10.21-					Hatchback (Compact car-C Segment)			
PureTech 130		Gasolina	FWD	1199	96	131	10.21-12.24	■
PureTech 180 (F35GFT)		Gasolina	FWD	1598	132	180	10.21-10.22	■
E-TENSE 225 (F3DGZT, F4DGYT)		Gasol./el éc.	FWD	1598	165	224	10.21-08.25	■
BlueHDi 130 (FBYHZZ)		Diesel	FWD	1499	96	130	10.21-08.25	■
FIAT								
DOBLO III (510_, 511_) 06.22-					Box Body/MPV (LCVs-N1 Segment)			
PureTech 110		Gasolina	FWD	1199	81	110	06.22-	■
E-Doblo		Eléctrico	FWD		100	136	06.22-10.23	■
BlueHDi 100		Diesel	FWD	1499	75	102	06.22-	■
BlueHDi 130		Diesel	FWD	1499	96	131	06.22-	■
DOBLO III (510_, 511_, 360_, 361_) 06.22-					MPV (LCVs-N1 Segment)			
PureTech 110		Gasolina	FWD	1199	81	110	06.22-	■
E-Doblo		Eléctrico	FWD		100	136	06.22-10.23	■
BlueHDi 100		Diesel	FWD	1499	75	102	06.22-	■
BlueHDi 130		Diesel	FWD	1499	96	131	06.22-	■
OPEL								
ASTRA L (OV5) 10.21-					Hatchback (Compact car-C Segment)			
1.2 (FPHNPJ)		Gasolina	FWD	1199	81	110	10.21-	■
1.2 (FPHNSL, FPHNSR)		Gasolina	FWD	1199	96	131	10.21-	■
1.6 Plug-In-Hybrid (F3DGZT)		Gasol./el éc.	FWD	1598	133	181	10.21-	■

LISTA DE APLICACIONES - BUYERS GUIDE

1.6 Plug-In-Hybrid (F3DGZT)		Gasol./el éc.	FWD	1598	165	224	01.23-	■	
Astra-e (F3ZKWZ)		Eléctrico	FWD		115	156	03.23-	■	
1.5 Turbo D (F3YHJT, F3YHJZ)		Diesel	FWD	1499	96	131	10.21-	■	
ASTRA L Sports Tourer (OV5) 10.21-					Estate (Compact car-C Segment)				
1.2 (FRHNPJ)		Gasolina	FWD	1199	81	110	10.21-	■	
1.2 (FRHNSL, FRHNSR)		Gasolina	FWD	1199	96	131	10.21-	■	
1.6 Plug-In Hybrid (F4DGZT, F4DGYT)		Gasol./el éc.	FWD	1598	133	181	10.21-	■	
1.6 Plug-In Hybrid (F4DGZT, F4DGYT)		Gasol./el éc.	FWD	1598	165	224	03.23-	■	
Astra-e (F4ZKWZ)		Eléctrico	FWD		115	156	03.23-	■	
1.5 CDTi (FCYHJT, FCYHJZ)		Diesel	FWD	1499	96	131	10.21-	■	
COMBO E (K9) 06.18-					Box Body/MPV (Large MPV-M1 Segment)				
1.2 (D 12 XHL (EB2ADT))		Gasolina	FWD	1199	81	110	02.19-	■	
1.2 (F 12 XHL)		Gasolina	FWD	1199	81	110	02.19-	■	
1.2 (F 12 XHT (EB2ADTS))		Gasolina	FWD	1199	96	131	09.19-	■	
Combo-e		Eléctrico	FWD		100	136	07.21-	■	
1.5 D (D 15 DTL (DV5RE))		Diesel	FWD	1499	56	76	08.18-	■	
1.5 D (D 15 DT (DV5RD))		Diesel	FWD	1499	75	102	08.18-	■	
1.5 D (D 15 DTH (DV5RC))		Diesel	FWD	1499	96	131	08.18-	■	
1.5 D A las 4 ruedas (D 15 DTH (DV5RC))		Diesel	4WD	1499	96	131	08.18-	■	
1.6 D (B 16 DTL (DV6FE))		Diesel	FWD	1560	55	75	06.18-04.21	■	
1.6 D (B 16 DT (DV6FD))		Diesel	FWD	1560	73	99	06.18-04.20	■	
COMBO E Tour / Life (K9) 06.18-					MPV (Large MPV-M1 Segment)				
1.2 (D 12 XHL (EB2ADT))		Gasolina	FWD	1199	81	110	06.18-	■	
1.2 (F 12 XHL)		Gasolina	FWD	1199	81	110	06.18-	■	
1.2 (F 12 XHT (EB2ADTS))		Gasolina	FWD	1199	96	131	07.19-	■	
Combo-e		Eléctrico	FWD		100	136	06.21-10.23	■	
1.5 (D 15 DTL (DV5RE))		Diesel	FWD	1499	56	76	06.18-	■	
1.5 (D 15 DT (DV5RD))		Diesel	FWD	1499	75	102	06.18-	■	
1.5 (D 15 DTH (DV5RC))		Diesel	FWD	1499	96	131	06.18-	■	
1.6		Diesel	FWD	1560	68	92	09.19-	■	
GRANDLAND / GRANDLAND X (A18, P1UO) 06.17-					SUV (Compact Crossover CUV-C Segment)				
1.2		Gasolina	FWD	1199	81	110	06.17-07.21	■	
1.2 (75) (B 12 XHT (EB2DTS))		Gasolina	FWD	1199	96	131	06.17-	■	
1.2 (75) (D 12 XHT (EB2ADTS))		Gasolina	FWD	1199	96	131	06.17-	■	
1.6 Turbo (75) (A 16 XHL (EP6FDTMD))		Gasolina	FWD	1598	110	150	12.19-07.21	■	
1.6 Turbo (A 16 NHT (EP6FDTM))		Gasolina	FWD	1598	121	165	10.17-	■	
1.6 Turbo (75) (D 16 XHT (EP6FADTXD))		Gasolina	FWD	1598	133	181	09.18-07.21	■	
1.2 Turbo Hybrid (75)		Gasol./el éc.	FWD	1199	100	136	01.24-	■	
1.6 Turbo Hybrid (F 16 XHR (EP6FADTXD))		Gasol./el éc.	FWD	1598	165	224	12.19-	■	
1.6 Turbo Hybrid4 (F 16 XHR (EP6FADTXD))		Gasol./el éc.	4WD	1598	221	300	06.19-	■	
1.5 Turbo D (75) (D 15 DT (DV5RD))		Diesel	FWD	1499	75	102	06.18-07.21	■	
1.5 Turbo D (75) (D 15 DTH (DV5RC))		Diesel	FWD	1499	96	131	04.18-	■	
1.6 Turbo D(75) (B 16 DTH (DV6FC))		Diesel	FWD	1560	88	120	06.17-07.21	■	
1.6 Turbo D(75)		Diesel	FWD	1598	120	163	04.18-	■	
2.0 D (75) (D 20 DTH (DW10FC))		Diesel	FWD	1997	130	177	11.17-07.21	■	

LISTA DE APLICACIONES - BUYERS GUIDE

GRANDLAND X Van 06.17-					SUV Van (Compact Crossover CUV-C Segment)			
1.2 (75) (D 12 XHT (EB2ADTS))		Gasolina	FWD	1199	96	131	04.18-07.21	■
1.5 (75) (D 15 DTH (DV5RC))		Diesel	FWD	1499	96	131	04.18-07.21	■
2.0 CDTi (75) (D 20 DTH (DW10FC))		Diesel	FWD	1997	130	177	11.17-07.21	■
PEUGEOT								
(FP_, F3_, FM_) 07.22-					Hatchback ()			
PureTech 130 (FPHNST)		Gasolina	FWD	1199	96	131	07.22-	■
PureTech 215 (F3EGPP)		Gasolina	FWD	1598	158	215	02.23-	■
Hybrid 136 (FPHPYC)		Gasol./el éc.	FWD	1199	100	136	07.23-	■
Hybrid 180 (F3DGXT)		Gasol./el éc.	FWD	1598	133	181	07.22-	■
Hybrid 225 (F3DGYT)		Gasol./el éc.	FWD	1598	165	224	07.22-	■
3008 II (MR_, MC_, MJ_) 05.16-					SUV Van (Compact Crossover CUV-C Segment)			
PureTech 130 (MRHNYH)		Gasolina	FWD	1199	96	131	05.16-	■
BlueHDi 130 (MCYHZB)		Diesel	FWD	1499	96	131	02.18-	■
BlueHDi 180 (MJEHZR)		Diesel	FWD	1997	130	177	01.18-	■
3008 II SUV (MC_, MR_, MJ_, M4_) 05.16-					SUV (Compact Crossover CUV-C Segment)			
1.2 THP/ PureTech 130 (MRHNSM, MRHNSU, MRHNSJ, MRHNYW,... (HNS (EB2ADTS))		Gasolina	FWD	1199	96	131	05.16-	■
1.2 THP/ PureTech 130 (MRHNSM, MRHNSU, MRHNSJ, MRHNYW,... (HNY (EB2DTS))		Gasolina	FWD	1199	96	131	05.16-	■
1.6 THP 150 (5GX (EP6FDTMD))		Gasolina	FWD	1598	110	150	11.17-	■
1.6 THP 165 (M45GYW, M45GZW, M45GYV) (5GY (EP6FDTM))		Gasolina	FWD	1598	121	165	05.16-	■
1.6 THP 165 (M45GYW, M45GZW, M45GYV) (5GZ (EP6FDT))		Gasolina	FWD	1598	121	165	05.16-	■
1.6 PureTech 180 (M45GFR, M45GFU) (5GF (EP6FADTXD))		Gasolina	FWD	1598	133	181	07.18-	■
1.2 Hybrid 136 (MRHPYE)		Gasol./el éc.	FWD	1199	100	136	05.23-11.23	■
Hybrid 180 (M4DGLU)		Gasol./el éc.	FWD	1598	132	179	11.22-	■
hybrid (5GQ (EP6FADTXHPD))		Gasol./el éc.	FWD	1598	165	224	10.19-	■
Hybrid4 (M45GBU) (5GB (EP6FADTXHPA))		Gasol./el éc.	4WD	1598	220	299	10.19-	■
1.5 BlueHDi 130 (YHZ (DV5RC))		Diesel	FWD	1499	96	131	02.18-	■
1.6 BlueHDi 100 (BHY (DV6FD))		Diesel	FWD	1560	73	100	11.16-12.19	■
1.6 BlueHDi 115 (MCBHXW, MCBHYB) (BHX (DV6FC))		Diesel	FWD	1560	85	116	11.16-12.19	■
1.6 BlueHDi 120 (BHZ (DV6FC))		Diesel	FWD	1560	88	120	05.16-12.19	■
2.0 BlueHDi 136 (AHV (DW10FD))		Diesel	FWD	1997	100	136	11.16-	■
2.0 BlueHDi 150 (MJAHXH, MJAHXV, MJAHXG, MJAHS, MJABRH,... (AHX (DW10FD))		Diesel	FWD	1997	110	150	05.16-09.20	■
2.0 BlueHDi 180 (EHZ (DW10FC))		Diesel	FWD	1997	130	177	01.18-	■
2.0 BlueHDi 180 (AHW (DW10FC))		Diesel	FWD	1997	133	181	05.16-	■
308 II (LB_) 03.15-					Hatchback Van (Compact car-C Segment)			
1.5 BlueHDi 130 (LBYHZP) (YHZ (DV5RC))		Diesel	FWD	1499	96	131	06.17-06.21	■
1.6 e-HDi 115 (LB9HCG) (9HC (DV6C))		Diesel	FWD	1560	85	116	03.15-06.21	■
1.6 BlueHDi 120 (LBBHZM) (BHX (DV6FC))		Diesel	FWD	1560	88	120	03.15-06.21	■
308 II (LB_, LP_, LW_, LH_, L3_) 09.13-					Hatchback (Compact car-C Segment)			
1.2 VTi 72 (HMZ (EB2F))		Gasolina	FWD	1199	60	82	09.13-06.21	■
1.2 THP 110 (HNP (EB2ADT))		Gasolina	FWD	1199	81	110	11.13-06.21	■
1.2 THP 110 (HNV (EB2DTM))		Gasolina	FWD	1199	81	110	11.13-06.21	■

LISTA DE APLICACIONES - BUYERS GUIDE

1.2 THP 110 (HNZ (EB2DT))	Gasolina	FWD	1199	81	110	11.13-06.21	■
1.2 THP 130 (HNY (EB2DTS))	Gasolina	FWD	1199	96	131	11.13-06.21	■
1.6 VTi 115 (NFP (EC5))	Gasolina	FWD	1587	85	115	05.15-06.21	■
1.6 THP 125 (5FA (EP6CDT))	Gasolina	FWD	1598	92	125	09.13-06.21	■
1.6 THP 150 (5GX (EP6FDTMD))	Gasolina	FWD	1598	110	150	03.14-06.21	■
1.6 THP (5GX (EP6FDTMD))	Gasolina	FWD	1598	112	152	09.13-06.21	■
1.6 THP (5FV (EP6CDT))	Gasolina	FWD	1598	115	156	09.13-06.21	■
1.6 THP 163 (5FM (EP6CDTM))	Gasolina	FWD	1598	120	163	06.14-06.21	■
1.6 GT 205 (5GT (EP6FDTX))	Gasolina	FWD	1598	151	205	06.14-06.21	■
1.6 PureTech 225 (GGR (EP6FADTX))	Gasolina	FWD	1598	165	225	01.18-06.21	■
1.6 Flex	Gasol./Etanol	FWD	1598	127	173	11.15-02.19	■
1.5 BlueHDi 100 (YHY (DV5RD))	Diesel	FWD	1499	75	102	05.18-06.21	■
1.5 BlueHDi 130 (YHZ (DV5RC))	Diesel	FWD	1499	96	131	06.17-06.21	■
1.6 HDi (9HP (DV6DTED))	Diesel	FWD	1560	68	92	09.13-06.21	■
1.6 HDi 100 (BHY (DV6FD))	Diesel	FWD	1560	73	99	04.14-06.21	■
1.6 HDi / BlueHDi 115 (9HC (DV6C))	Diesel	FWD	1560	85	115	09.13-06.21	■
1.6 HDi / BlueHDi 115 (BHZ (DV6FC))	Diesel	FWD	1560	85	115	09.13-06.21	■
1.6 BlueHDi 120 (BHZ (DV6FC))	Diesel	FWD	1560	88	120	11.13-06.21	■
2.0 BlueHDi 150 (AHX (DW10FCD))	Diesel	FWD	1997	110	150	11.13-06.21	■
2.0 BlueHDi 150 (AHX (DW10FD))	Diesel	FWD	1997	110	150	11.13-06.21	■
2.0 GT BlueHDi 180 (EHZ (DW10FC))	Diesel	FWD	1997	130	177	06.17-06.21	■
2.0 GT BlueHDi 180 (AHW (DW10FC))	Diesel	FWD	1997	132	179	06.17-06.21	■
2.0 GT BlueHDi 180 (AHW (DW10FC))	Diesel	FWD	1997	133	181	06.14-06.21	■
308 II SW (LC_) 04.14-							Estate Van (Compact car-C Segment)
1.5 BlueHDi 130 (LCYHZZ) (YHZ (DV5RC))	Diesel	FWD	1499	96	131	06.17-06.21	■
1.6 BlueHDi (BHY (DV6FD))	Diesel	FWD	1560	73	99	04.14-06.21	■
308 II SW (LC_, LJ_, LR_, LX_, L4_) 03.14-							Estate (Compact car-C Segment)
1.2 THP 110 (HNP (EB2ADT))	Gasolina	FWD	1199	81	110	03.14-06.21	■
1.2 THP 110 (HNV (EB2DTM))	Gasolina	FWD	1199	81	110	03.14-06.21	■
1.2 THP 110 (HNZ (EB2DT))	Gasolina	FWD	1199	81	110	03.14-06.21	■
1.2 THP 130 (HNY (EB2DTS))	Gasolina	FWD	1199	96	131	03.14-06.21	■
1.6 VTi (LWNFPA) (NFP (EC5))	Gasolina	FWD	1587	85	115	03.14-06.21	■
1.6 THP 125 (5FA (EP6CDT))	Gasolina	FWD	1598	92	125	03.14-06.21	■
1.6 THP 150 (L45GXA) (5GX (EP6FDTMD))	Gasolina	FWD	1598	110	150	03.14-06.21	■
1.6 THP 155 (5FV (EP6CDT))	Gasolina	FWD	1598	115	156	03.14-06.21	■
1.6 PureTech 225 (L45GGR) (5GG (EP6FADTX))	Gasolina	FWD	1598	165	225	01.18-06.21	■
1.5 BlueHDi 100 (YHY (DV5RD))	Diesel	FWD	1499	75	102	04.18-06.21	■
1.5 BlueHDi 130 (YHZ (DV5RC))	Diesel	FWD	1499	96	131	06.17-06.21	■
1.6 HDi 92 (9HP (DV6DTED))	Diesel	FWD	1560	68	92	03.14-06.21	■
1.6 BlueHDi 100 (BHY (DV6FD))	Diesel	FWD	1560	73	99	04.14-06.21	■
1.6 HDi / BlueHDi 115 (LCBHXM, LCBHXT) (9HC (DV6C))	Diesel	FWD	1560	85	115	03.14-06.21	■
1.6 HDi / BlueHDi 115 (LCBHXM, LCBHXT) (BHZ (DV6FC))	Diesel	FWD	1560	85	115	03.14-06.21	■
1.6 BlueHDi 120 (BHZ (DV6FC))	Diesel	FWD	1560	88	120	03.14-06.21	■
2.0 BlueHDi 150 (AHX (DW10FCD))	Diesel	FWD	1997	110	150	03.14-06.21	■
2.0 GT BlueHDi 180 (EHZ (DW10FC))	Diesel	FWD	1997	130	177	06.17-06.21	■
2.0 GT BlueHDi 180 (AHW (DW10FC))	Diesel	FWD	1997	132	179	06.17-06.21	■
2.0 GT HDi 180 / BlueHDi 180 (AHW (DW10FC))	Diesel	FWD	1997	133	181	06.14-06.21	■

LISTA DE APLICACIONES - BUYERS GUIDE

					Hatchback (Compact car-C Segment)				
308 III (FB_, FH_, FP_, F3_, FM_) 07.21-									
PureTech 110 (FPHNPL)		Gasolina	FWD	1199	81	110	07.21-	■	
PureTech 130 (FPHNSL, FPHNST)		Gasolina	FWD	1199	96	131	07.21-	■	
Hybrid 136 (FPHPYC)		Gasol./el éc.	FWD	1199	100	136	08.23-03.25	■	
Hybrid 180 (F3DGXT, F3DGMH)		Gasol./el éc.	FWD	1598	133	181	07.21-	■	
Hybrid 225 (F3DGYT, F3DGNH)		Gasol./el éc.	FWD	1598	165	224	07.21-	■	
e-308 (FMZKWZ)		Eléctrico	FWD		115	156	08.23-	■	
BlueHDi 130 (FBYHZL, FBYHZT)		Diesel	FWD	1499	96	131	07.21-	■	
308 III SW (FC_, FJ_, FR_, F4_, FN_) 07.21-					Estate (Compact car-C Segment)				
PureTech 110 (FRHNPL)		Gasolina	FWD	1199	81	110	07.21-	■	
PureTech 130 (FRHNSL, FRHNST)		Gasolina	FWD	1199	96	131	07.21-	■	
PureTech 136 (FRHPYC)		Gasol./el éc.	FWD	1199	100	136	08.23-03.25	■	
Hybrid 180 (F4DGXT)		Gasol./el éc.	FWD	1598	133	181	07.21-	■	
Hybrid 225 (F4DGYT)		Gasol./el éc.	FWD	1598	165	224	07.21-	■	
e-308 (FNZKWZ)		Eléctrico	FWD		115	156	08.23-	■	
BlueHDi 130 (FCYHZL, FCYHZT)		Diesel	FWD	1499	96	131	07.21-	■	
508 II (FB_, FH_, F3_) 09.18-					Hatchback (Large family car-D Segment)				
PureTech 130 (FBHNSR) (HNS (EB2ADTS))		Gasolina	FWD	1199	96	131	06.20-	■	
1.6 THP 150 (F35GXV) (5GX (EP6FDTMD))		Gasolina	FWD	1598	110	150	09.18-	■	
1.6 THP 165 (F35GYV) (5GY (EP6FDTM))		Gasolina	FWD	1598	121	165	09.18-	■	
1.6 PureTech 180 (F35GFR) (5GF (EP6FADTXD))		Gasolina	FWD	1598	133	181	10.18-	■	
1.6 PureTech 225 (F35GGR) (5GG (EP6FADTX))		Gasolina	FWD	1598	165	224	10.18-	■	
Hybrid 225 (F35GQU) (5GQ (EP6FADTXHPD))		Gasol./el éc.	FWD	1598	165	224	08.19-	■	
1.5 BlueHDI 130 (F35GQU) (5GQ (EP6FADTXHPD))		Diesel	FWD	1499	96	131	10.18-	■	
2.0 BlueHDI 160 (F35GQU) (5GQ (EP6FADTXHPD))		Diesel	FWD	1997	120	163	10.18-	■	
2.0 BlueHDI 180 (F35GQU) (5GQ (EP6FADTXHPD))		Diesel	FWD	1997	130	177	10.18-	■	
508 II SW (FC_, FJ_, F4_) 09.18-					Estate (Large family car-D Segment)				
PureTech 130 (HNS (EB2ADTS))		Gasolina	FWD	1199	96	131	06.20-	■	
1.6 THP 165 (F45GYV) (5GY (EP6FDTM))		Gasolina	FWD	1598	121	165	09.18-	■	
1.6 PureTech 180 (GFR (EP6FADTXD))		Gasolina	FWD	1598	133	181	09.18-	■	
1.6 PureTech 225 (F45GGR) (GCR (EP6FADTX))		Gasolina	FWD	1598	165	224	09.18-	■	
Hybrid 224 (F45GQU) (5GQ (EP6FADTXHPD))		Gasol./el éc.	FWD	1598	165	224	08.19-	■	
1.5 BlueHDI 130 (YHZ (DV5RC))		Diesel	FWD	1499	96	131	09.18-	■	
2.0 BlueHDI 160 (EHY (DW10FCC))		Diesel	FWD	1997	120	163	09.18-	■	
2.0 BlueHDI 180 (EHZ (DW10FC))		Diesel	FWD	1997	130	177	09.18-	■	
PARTNER III (K9) 09.18-					Box Body/MPV (LCVs-N1 Segment)				
1.2 PureTech 110 (HNP (EB2ADT))		Gasolina	FWD	1199	81	110	01.19-	■	
1.2 PureTech 130 (HNS (EB2ADTS))		Gasolina	FWD	1199	96	131	07.19-	■	
1.6 16V Flex		Gasol./Et anol	FWD	1587	90	122	10.18-	■	
e-Partner		Eléctrico	FWD		100	136	07.21-	■	
1.5 BlueHDI 75 (YHW (DV5RE))		Diesel	FWD	1499	55	75	07.19-	■	
1.5 BlueHDI 100 (YHY (DV5RD))		Diesel	FWD	1499	75	102	07.19-	■	
1.5 BlueHDI 130 (YHZ (DV5RC))		Diesel	FWD	1499	96	131	09.18-	■	

LISTA DE APLICACIONES - BUYERS GUIDE

1.5 BlueHDi 130 4x4 (YHZ (DV5RC))		Diesel	4WD	1499	96	131	09.18-	■	
1.6 BlueHDi 75 (BHW (DV6FE))		Diesel	FWD	1560	55	75	09.18-	■	
1.6 HDI 92		Diesel	FWD	1560	68	92	09.18-	■	
1.6 BlueHDi 100 (BHY (DV6FD))		Diesel	FWD	1560	73	99	09.18-	■	
RIFTER (K9) 09.18-					MPV (Large MPV-M1 Segment)				
1.2 PureTech 110 (HNP (EB2ADT))		Gasolina	FWD	1199	81	110	09.18-	■	
1.2 PureTech 130 (HNS (EB2ADTS))		Gasolina	FWD	1199	96	131	07.19-	■	
e-Rifter		Eléctrico	FWD		100	136	07.21-10.23	■	
1.5 BlueHDi 75 (ECYHW) (YHW (DV5RE))		Diesel	FWD	1499	55	75	09.18-	■	
1.5 BlueHDi 100 (YHY (DV5RD))		Diesel	FWD	1499	75	102	08.18-	■	
1.5 BlueHDi 130 (YHZ (DV5RC))		Diesel	FWD	1499	96	131	09.18-	■	
1.6 HDi 75 / BlueHDi 75 (9HN (DV6ETED))		Diesel	FWD	1560	55	75	09.18-	■	
1.6 HDi 75 / BlueHDi 75 (BHW (DV6FE))		Diesel	FWD	1560	55	75	09.18-	■	
1.6 HDi 90		Diesel	FWD	1560	66	90	09.18-	■	
1.6 HDi 92 (9HP (DV6DTED))		Diesel	FWD	1560	68	92	09.18-	■	
1.6 BlueHDi 100 (BHY (DV6FD))		Diesel	FWD	1560	73	99	09.18-	■	
PEUGEOT (DF-PSA)									
308 09.16-					Saloon (Compact car-C Segment)				
190THP		Gasolina	FWD	1199	85	116	01.19-	■	
230 THP		Gasolina	FWD	1199	100	136	09.16-	■	
1.6 (NFP(EC5))		Gasolina	FWD	1587	86	117	09.16-	■	
350 THP		Gasolina	FWD	1598	123	167	09.16-	■	
308S 04.15-					Hatchback (Compact car-C Segment)				
1.2 THP		Gasolina	FWD	1199	100	136	04.15-	■	
1.6 VTi		Gasolina	FWD	1587	86	117	04.15-	■	
1.6 THP		Gasolina	FWD	1598	123	167	04.15-	■	
4008 11.16-					SUV (Mini SUV-J Segment)				
1.6 (5G02 10UF01 (EP6FDTM))		Gasolina	FWD	1598	123	167	11.16-	■	
360 THP (5G04 (EP6FDTXD), 5G06 (EP6FADTXD))		Gasolina	FWD	1598	125	170	07.19-	■	
1.8 (6G01 10UF51 (EP8FDT))		Gasolina	FWD	1751	150	204	11.16-	■	
400THP (6G03(EP8FADTX))		Gasolina	FWD	1751	155	211	07.19-	■	
408 II 08.14-					Saloon (Compact car-C Segment)				
1.2 THP		Gasolina	FWD	1199	100	136	03.15-	■	
1.6		Gasolina	FWD	1598	123	167	08.14-	■	
1.6 360 THP (5G06 (EP0FADTXD))		Gasolina	FWD	1598	125	170	06.19-	■	
1.8		Gasolina	FWD	1813	102	139	08.14-	■	
TOYOTA									
PROACE II CITY (BPZ_) 10.19-					Box Body/MPV (LCVs-N1 Segment)				
1.2 VVT-i 110 (BPZN) (EB2ADT)		Gasolina	FWD	1199	81	110	10.19-	■	
1.2 VVT-i 130 (BPZN) (EB2ADTS)		Gasolina	FWD	1199	96	131	10.19-	■	
Electric (BPZS)		Eléctrico	FWD		100	136	07.21-02.24	■	
1.5 D-4D 75 (BPZM) (DV5RE)		Diesel	FWD	1499	55	75	10.19-	■	
1.5 D-4D 100 (BPZM) (DV5RD)		Diesel	FWD	1499	75	102	10.19-	■	
1.5 D-4D 130 (BPZM) (DV5RC)		Diesel	FWD	1499	96	131	10.19-	■	
1.5 D-4D 130 4x4 (BPZM)		Diesel	4WD	1499	96	131	04.21-	■	
1.6 D-4D 92 (BPZQ)		Diesel	FWD	1560	68	92	01.22-	■	
PROACE II CITY VERSO (BKY_) 10.19-					MPV (Large MPV-M1 Segment)				
1.2 VVT-i 110 (BKYN) (EB2ADT)		Gasolina	FWD	1199	81	110	10.19-	■	

LISTA DE APLICACIONES - BUYERS GUIDE

1.2 VVT-i 130 (BKYN) (EB2ADTS)	Gasolina	FWD	1199	96	131	10.19-	■
Electric (BKYS)	Eléctrico	FWD		100	136	07.21-02.24	■
1.5 D-4D 100 (BKYM) (DV5RD)	Diesel	FWD	1499	75	102	10.19-	■
1.5 D-4D 130 (BKYM) (DV5RC)	Diesel	FWD	1499	96	131	10.19-	■
VAUXHALL							
ASTRA Mk VIII (L) 10.21-				Hatchback (Compact car-C Segment)			
1.2 (FPHNPJ)	Gasolina	FWD	1199	81	110	10.21-	■
1.2 (FPHNSL, FPHNSR)	Gasolina	FWD	1199	96	131	10.21-	■
1.6 Plug-In-Hybrid (F3DGZT)	Gasol./el éc.	FWD	1598	133	181	10.21-	■
1.6 Plug-In-Hybrid (F3DGZT)	Gasol./el éc.	FWD	1598	165	224	06.22-	■
Astra-e (F3ZKWZ)	Eléctrico	FWD		115	156	03.23-	■
1.5 Turbo D (FBYHZZ, FBYHZZ)	Diesel	FWD	1499	96	131	10.21-	■
ASTRA Mk VIII (L) Sports Tourer 10.21-				Estate (Compact car-C Segment)			
1.2	Gasolina	FWD	1199	81	110	10.21-	■
1.2	Gasolina	FWD	1199	96	131	10.21-	■
1.6 Plug-In-Hybrid	Gasol./el éc.	FWD	1598	133	181	10.21-	■
1.6 Plug-In-Hybrid (F4DGYT, F4DGZT)	Gasol./el éc.	FWD	1598	165	224	03.23-	■
Astra-e (F4ZKWZ)	Eléctrico	FWD		115	156	03.23-	■
1.5 Turbo D	Diesel	FWD	1499	96	131	10.21-	■
COMBO Mk IV (K9) 06.18-				Box Body/MPV (LCVs-N1 Segment)			
1.2 (D 12 XHL (EB2ADT))	Gasolina	FWD	1199	81	110	02.19-	■
Combo-e	Eléctrico	FWD		100	136	07.21-04.24	■
1.5 D (D 15 DTL (DV5RE))	Diesel	FWD	1499	56	76	08.18-	■
1.5 D (D 15 DT (DV5RD))	Diesel	FWD	1499	75	102	08.18-	■
1.5 D (D 15 DTH (DV5RC))	Diesel	FWD	1499	96	131	08.18-	■
1.5 D 4x4 (D 15 DTH (DV5RC))	Diesel	4WD	1499	96	131	08.18-	■
1.6 D (B 16 DTL (DV6FE))	Diesel	FWD	1560	55	75	06.18-04.21	■
1.6 D (B 16 DT (DV6FD))	Diesel	FWD	1560	73	99	06.18-04.20	■
COMBO Mk IV (K9) 06.18-				MPV (Large MPV-M1 Segment)			
1.2 (D 12 XHL (EB2ADT))	Gasolina	FWD	1199	81	110	06.18-	■
1.2 (F 12 XHT (EB2ADTS))	Gasolina	FWD	1199	96	131	07.19-	■
Combo-e	Eléctrico	FWD		100	136	06.21-04.24	■
1.5 (D 15 DT (DV5RD))	Diesel	FWD	1499	75	102	06.18-	■
1.5 (D 15 DTH (DV5RC))	Diesel	FWD	1499	96	131	06.18-	■
GRANDLAND X (A18) 06.17-				SUV (Compact Crossover CUV-C Segment)			
1.2 Turbo (75) (B 12 XHT (EB2DTS))	Gasolina	FWD	1199	96	131	06.17-	■
1.2 Turbo (75) (D 12 XHT (EB2ADTS))	Gasolina	FWD	1199	96	131	06.17-	■
1.6 Turbo (75) (D 16 XHT (EP6FADTXHP))	Gasolina	FWD	1598	133	181	12.19-	■
1.2 Turbo Hybrid (75)	Gasol./el éc.	FWD	1199	100	136	01.24-	■
1.6 Turbo Hybrid (75) (D 16 XHT (EP6FADTXHP))	Gasol./el éc.	FWD	1598	165	224	12.19-	■
1.6 Turbo Hybrid4 (75) (D 16 XHT (EP6FADTXHP))	Gasol./el éc.	4WD	1598	221	300	06.19-	■
1.5 Turbo D (75) (D 15 DTH (DV5RC))	Diesel	FWD	1499	96	131	04.18-	■
1.6 Turbo D(75) (B 16 DTH (DV6FC))	Diesel	FWD	1560	88	120	06.17-07.21	■