

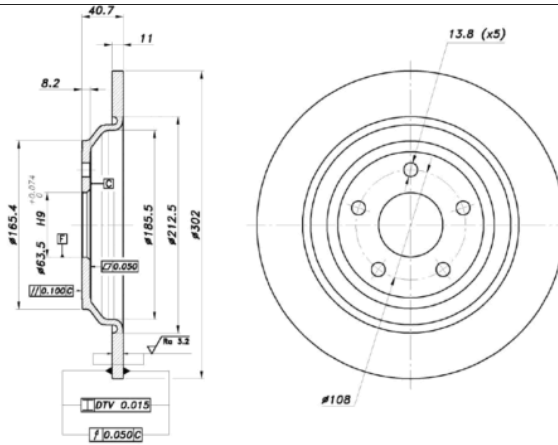
LISTA DE APLICACIONES - BUYERS GUIDE

78BD0080-2



Weight: 9.800

O.E.M.	MAKE
1936154	FORD
2210993	FORD
G1FY2A315AA	FORD
JX612A315BEA	FORD



78BD0080-2



Ø302x11x40.7

MAKE
FORD
FORD AUSTRALIA
LINCOLN (CHANGAN)



Trac.	CC	Kw	CV
-------	----	----	----



Front / Rear

FORD

FOCUS III 02.12-							Estate Van (Compact car-C Segment)			
1.0 EcoBoost (M2DA)		Gasolina	FWD	998	74	100	02.12-02.20			■
1.0 EcoBoost (M2DB)		Gasolina	FWD	998	74	100	02.12-02.20			■
1.0 EcoBoost (M2DC)		Gasolina	FWD	998	74	100	02.12-02.20			■
1.0 EcoBoost (SFDA)		Gasolina	FWD	998	74	100	02.12-02.20			■
1.0 EcoBoost (SFDB)		Gasolina	FWD	998	74	100	02.12-02.20			■
1.0 EcoBoost (M1DA)		Gasolina	FWD	998	92	125	02.12-02.20			■
1.0 EcoBoost (M1DC)		Gasolina	FWD	998	92	125	02.12-02.20			■
1.0 EcoBoost (M1DD)		Gasolina	FWD	998	92	125	02.12-02.20			■
1.5 EcoBoost (M8DA)		Gasolina	FWD	1498	110	150	09.14-02.20			■
1.5 EcoBoost (M8DB)		Gasolina	FWD	1498	110	150	09.14-02.20			■
1.5 EcoBoost (M8DD)		Gasolina	FWD	1498	110	150	09.14-02.20			■
1.5 EcoBoost (M8DE)		Gasolina	FWD	1498	110	150	09.14-02.20			■
1.5 EcoBoost (M9DA)		Gasolina	FWD	1498	134	182	09.14-02.20			■
1.5 EcoBoost (M9DB)		Gasolina	FWD	1498	134	182	09.14-02.20			■
1.5 TDCi (XXDA)		Diesel	FWD	1499	70	95	09.14-02.20			■
1.5 TDCi (XXDC)		Diesel	FWD	1499	70	95	09.14-02.20			■
1.5 TDCi EConetic (XXDB)		Diesel	FWD	1499	77	105	09.14-02.20			■
1.5 TDCi (XWDA)		Diesel	FWD	1499	88	120	09.14-02.20			■
1.5 TDCi (XWDB)		Diesel	FWD	1499	88	120	09.14-02.20			■
1.5 TDCi (XWDC)		Diesel	FWD	1499	88	120	09.14-02.20			■
1.5 TDCi (XWDD)		Diesel	FWD	1499	88	120	09.14-02.20			■
2.0 TDCi (T7DA)		Diesel	FWD	1997	110	150	11.14-02.20			■
2.0 TDCi (T7DB)		Diesel	FWD	1997	110	150	11.14-02.20			■

LISTA DE APLICACIONES - BUYERS GUIDE

FOCUS III (C346) 01.11-					Hatchback Van (Compact car-C Segment)			
1.0 EcoBoost (M2DA)		Gasolina	FWD	998	74	100	02.12-12.17	■
1.0 EcoBoost (M2DB)		Gasolina	FWD	998	74	100	02.12-12.17	■
1.0 EcoBoost (M2DC)		Gasolina	FWD	998	74	100	02.12-12.17	■
1.0 EcoBoost (SFDA)		Gasolina	FWD	998	74	100	02.12-12.17	■
1.0 EcoBoost (SFDB)		Gasolina	FWD	998	74	100	02.12-12.17	■
1.0 EcoBoost (M1DA)		Gasolina	FWD	998	92	125	02.12-12.17	■
1.0 EcoBoost (M1DC)		Gasolina	FWD	998	92	125	02.12-12.17	■
1.0 EcoBoost (M1DD)		Gasolina	FWD	998	92	125	02.12-12.17	■
1.5 EcoBoost (M8DA)		Gasolina	FWD	1498	110	150	09.14-12.17	■
1.5 EcoBoost (M8DB)		Gasolina	FWD	1498	110	150	09.14-12.17	■
1.5 EcoBoost (M9DA)		Gasolina	FWD	1498	134	182	09.14-12.17	■
1.5 EcoBoost (M9DB)		Gasolina	FWD	1498	134	182	09.14-12.17	■
1.6 Ti (IQDA)		Gasolina	FWD	1596	77	105	01.11-02.20	■
1.6 Ti (IQDB)		Gasolina	FWD	1596	77	105	01.11-02.20	■
1.5 TDCi (XXDA)		Diesel	FWD	1499	70	95	09.14-12.17	■
1.5 TDCi (XXDC)		Diesel	FWD	1499	70	95	09.14-12.17	■
1.5 TDCi (XXDD)		Diesel	FWD	1499	70	95	09.14-12.17	■
1.5 TDCi ECOnetic (AEDA)		Diesel	FWD	1499	77	105	09.14-12.17	■
1.5 TDCi ECOnetic (XXDB)		Diesel	FWD	1499	77	105	09.14-12.17	■
1.5 TDCi (XWDA)		Diesel	FWD	1499	88	120	09.14-12.17	■
1.5 TDCi (XWDB)		Diesel	FWD	1499	88	120	09.14-12.17	■
1.5 TDCi (XWDC)		Diesel	FWD	1499	88	120	09.14-12.17	■
1.5 TDCi (XWDD)		Diesel	FWD	1499	88	120	09.14-12.17	■
1.5 TDCi (XWDE)		Diesel	FWD	1499	88	120	09.14-12.17	■
1.6 TDCi (T3DA)		Diesel	FWD	1560	70	95	01.11-12.17	■
1.6 TDCi (T3DB)		Diesel	FWD	1560	70	95	01.11-12.17	■
1.6 TDCi (T1DA)		Diesel	FWD	1560	85	115	02.12-12.17	■
1.6 TDCi (T1DB)		Diesel	FWD	1560	85	115	02.12-12.17	■
2.0 TDCi (T7DA)		Diesel	FWD	1997	110	150	11.14-12.17	■
2.0 TDCi (T7DB)		Diesel	FWD	1997	110	150	11.14-12.17	■
FOCUS III (C346) 07.10-					Hatchback (Compact car-C Segment)			
1.5 EcoBoost (M8DA)		Gasolina	FWD	1498	110	150	09.14-12.17	■
1.5 EcoBoost (M8DB)		Gasolina	FWD	1498	110	150	09.14-12.17	■
1.5 EcoBoost (M9DA)		Gasolina	FWD	1498	134	182	09.14-12.17	■
1.5 EcoBoost (M9DB)		Gasolina	FWD	1498	134	182	09.14-12.17	■
1.5 EcoBoost (M9DA)		Gasolina	FWD	1499	132	179	05.15-12.17	■
1.5 EcoBoost (M9DB)		Gasolina	FWD	1499	132	179	05.15-12.17	■
1.6 Ti (XTDA)		Gasolina	FWD	1596	63	85	08.11-12.17	■
1.6 Ti (XTDB)		Gasolina	FWD	1596	63	85	08.11-12.17	■
1.6 Ti (IQDA)		Gasolina	FWD	1596	77	105	07.10-02.20	■
1.6 Ti (IQDB)		Gasolina	FWD	1596	77	105	07.10-02.20	■
1.6 Ti (IQDC)		Gasolina	FWD	1596	77	105	07.10-02.20	■
1.6 Ti (MUDA)		Gasolina	FWD	1596	88	120	02.12-12.17	■
1.6 Ti (MUDD)		Gasolina	FWD	1596	88	120	02.12-12.17	■
1.6 Ti (PNDA)		Gasolina	FWD	1596	92	125	07.10-12.17	■
1.6 Ti (PNDD)		Gasolina	FWD	1596	92	125	07.10-12.17	■
2.0 (XQDA)		Gasolina	FWD	1999	110	150	10.13-12.17	■
2.0		Gasolina	FWD	1999	119	162	09.11-06.18	■
2.0 Ti-GDi (MGDA)		Gasolina	FWD	1999	125	170	08.11-02.20	■

LISTA DE APLICACIONES - BUYERS GUIDE

2.0		Gasolina	FWD	1999	129	175	10.13-	■
2.0 ST (R9DA)		Gasolina	FWD	1999	184	250	07.12-12.17	■
2.0 ST (R9DB)		Gasolina	FWD	1999	184	250	07.12-12.17	■
2.0 ST (R9DC)		Gasolina	FWD	1999	184	250	07.12-12.17	■
2.0 ST (R9DD)		Gasolina	FWD	1999	184	250	07.12-12.17	■
2.0 ST		Gasolina	FWD	1999	188	256	09.12-	■
2.3 RS AWD (YVDA)		Gasolina	4WD	2261	257	350	07.15-02.18	■
1.6 LPG (MUDA)		Gasol./Gas (LPG)	FWD	1596	86	117	02.12-02.20	■
1.6 LPG (MUDA)		Gasol./Gas (LPG)	FWD	1596	88	120	02.12-02.20	■
1.6 LPG (MUDD)		Gasol./Gas (LPG)	FWD	1596	88	120	02.12-02.20	■
1.6 Flexifuel (MUDA)		Gasol./Etanol	FWD	1596	88	120	07.10-02.20	■
1.6 Flexifuel (MUDD)		Gasol./Etanol	FWD	1596	88	120	07.10-02.20	■
1.6 S Flex		Gasol./Etanol	FWD	1596	99	135	10.13-06.19	■
2.0 Flex		Gasol./Etanol	FWD	1999	119	162	04.11-	■
1.5 TDCi (XXDA)		Diesel	FWD	1499	70	95	09.14-04.18	■
1.5 TDCi (XXDC)		Diesel	FWD	1499	70	95	09.14-04.18	■
1.5 TDCi (XXDD)		Diesel	FWD	1499	70	95	09.14-04.18	■
1.5 TDCi ECOnetic (AEDA)		Diesel	FWD	1499	77	105	09.14-12.17	■
1.5 TDCi ECOnetic (XXDB)		Diesel	FWD	1499	77	105	09.14-12.17	■
1.5 TDCi (XWDA)		Diesel	FWD	1499	88	120	09.14-04.18	■
1.5 TDCi (XWDB)		Diesel	FWD	1499	88	120	09.14-04.18	■
1.5 TDCi (XWDC)		Diesel	FWD	1499	88	120	09.14-04.18	■
1.5 TDCi (XWDD)		Diesel	FWD	1499	88	120	09.14-04.18	■
1.5 TDCi (XWDE)		Diesel	FWD	1499	88	120	09.14-04.18	■
1.6 TDCi (T3DA)		Diesel	FWD	1560	70	95	07.10-12.17	■
1.6 TDCi (T3DB)		Diesel	FWD	1560	70	95	07.10-12.17	■
1.6 TDCi (T1DA)		Diesel	FWD	1560	85	115	07.10-12.17	■
1.6 TDCi (T1DB)		Diesel	FWD	1560	85	115	07.10-12.17	■
2.0 TDCi (T7DA)		Diesel	FWD	1997	110	150	11.14-12.17	■
2.0 TDCi (T7DB)		Diesel	FWD	1997	110	150	11.14-12.17	■
2.0 TDCi		Diesel	RWD	1997	132	180	07.14-	■
2.0 TDCi ST (T8DA)		Diesel	FWD	1997	136	185	11.14-12.17	■
FOCUS III (C346) 07.10-					Saloon (Compact car-C Segment)			
1.0 EcoBoost (M2DA)		Gasolina	FWD	998	74	100	02.12-02.20	■
1.0 EcoBoost (M2DB)		Gasolina	FWD	998	74	100	02.12-02.20	■
1.0 EcoBoost (M2DC)		Gasolina	FWD	998	74	100	02.12-02.20	■
1.0 EcoBoost (SFDA)		Gasolina	FWD	998	74	100	02.12-02.20	■
1.0 EcoBoost (SFDB)		Gasolina	FWD	998	74	100	02.12-02.20	■
1.0 EcoBoost (M1DA)		Gasolina	FWD	998	92	125	02.12-02.20	■
1.0 EcoBoost (M1DC)		Gasolina	FWD	998	92	125	02.12-02.20	■
1.0 EcoBoost (M1DD)		Gasolina	FWD	998	92	125	02.12-02.20	■
1.0 EcoBoost (M1DH)		Gasolina	FWD	998	103	140	10.17-02.20	■
1.5 EcoBoost (M8DA)		Gasolina	FWD	1498	110	150	11.14-02.20	■
1.5 EcoBoost (M8DB)		Gasolina	FWD	1498	110	150	11.14-02.20	■
1.5 EcoBoost (M9DA)		Gasolina	FWD	1498	134	182	11.14-02.20	■
1.5 EcoBoost (M9DB)		Gasolina	FWD	1498	134	182	11.14-02.20	■
1.5 EcoBoost (M9DA)		Gasolina	FWD	1499	132	179	05.15-02.20	■
1.5 EcoBoost (M9DB)		Gasolina	FWD	1499	132	179	05.15-02.20	■

LISTA DE APLICACIONES - BUYERS GUIDE

1.6 Ti (XTDA)		Gasolina	FWD	1596	63	85	08.11-02.20	■
1.6 Ti (XTDB)		Gasolina	FWD	1596	63	85	08.11-02.20	■
1.6 Ti (IQDA)		Gasolina	FWD	1596	77	105	07.10-02.20	■
1.6 Ti (IQDB)		Gasolina	FWD	1596	77	105	07.10-02.20	■
1.6 Ti (IQDC)		Gasolina	FWD	1596	77	105	07.10-02.20	■
1.6 Ti (PNDA)		Gasolina	FWD	1596	92	125	07.10-02.20	■
1.6 Ti (PNDD)		Gasolina	FWD	1596	92	125	07.10-02.20	■
2.0 (XQDA)		Gasolina	FWD	1999	110	150	10.13-02.20	■
2.0		Gasolina	FWD	1999	119	162	08.11-02.20	■
2.0 Flex		Gasolina	FWD	1999	119	162	09.12-	■
2.0 GDI (MGDA)		Gasolina	FWD	1999	125	170	08.11-02.20	■
2.0		Gasolina	FWD	1999	129	175	10.13-	■
1.6 Flexifuel (MUDA)		Gasol./Etanol	FWD	1596	88	120	07.10-02.20	■
1.6 Flexifuel (MUDD)		Gasol./Etanol	FWD	1596	88	120	07.10-02.20	■
1.6 SE Flex		Gasol./Etanol	FWD	1596	99	135	06.15-	■
1.6 Flexifuel (YUDA)		Gasol./Etanol	FWD	1596	110	150	07.13-02.20	■
2.0 Direct Flex		Gasol./Etanol	FWD	1999	131	179	10.13-06.19	■
1.5 TDCi (XXDA)		Diesel	FWD	1499	70	95	11.14-02.20	■
1.5 TDCi (XXDC)		Diesel	FWD	1499	70	95	11.14-02.20	■
1.5 TDCi (XXDD)		Diesel	FWD	1499	70	95	11.14-02.20	■
1.5 TDCi ECOnetic (AEDA)		Diesel	FWD	1499	77	105	11.14-02.20	■
1.5 TDCi ECOnetic (XXDB)		Diesel	FWD	1499	77	105	11.14-02.20	■
1.5 TDCi (XWDA)		Diesel	FWD	1499	88	120	11.14-02.20	■
1.5 TDCi (XWDB)		Diesel	FWD	1499	88	120	11.14-02.20	■
1.5 TDCi (XWDC)		Diesel	FWD	1499	88	120	11.14-02.20	■
1.5 TDCi (XWDD)		Diesel	FWD	1499	88	120	11.14-02.20	■
1.5 TDCi (XWDE)		Diesel	FWD	1499	88	120	11.14-02.20	■
1.6 TDCi (T3DA)		Diesel	FWD	1560	70	95	07.10-02.20	■
1.6 TDCi (T3DB)		Diesel	FWD	1560	70	95	07.10-02.20	■
1.6 TDCi (T1DA)		Diesel	FWD	1560	85	115	07.10-02.20	■
1.6 TDCi (T1DB)		Diesel	FWD	1560	85	115	07.10-02.20	■
2.0 TDCi (T7DA)		Diesel	FWD	1997	110	150	11.14-02.20	■
2.0 TDCi (T7DB)		Diesel	FWD	1997	110	150	11.14-02.20	■
2.0 TDCi		Diesel	RWD	1997	132	180	07.14-	■
FOCUS III Turnier (C346) 07.10-					Estate (Compact car-C Segment)			
1.0 EcoBoost (M2DA)		Gasolina	FWD	998	74	100	02.12-02.20	■
1.0 EcoBoost (M2DB)		Gasolina	FWD	998	74	100	02.12-02.20	■
1.0 EcoBoost (M2DC)		Gasolina	FWD	998	74	100	02.12-02.20	■
1.0 EcoBoost (SFDA)		Gasolina	FWD	998	74	100	02.12-02.20	■
1.0 EcoBoost (SFDB)		Gasolina	FWD	998	74	100	02.12-02.20	■
1.0 EcoBoost (M1DA)		Gasolina	FWD	998	92	125	02.12-02.20	■
1.0 EcoBoost (M1DC)		Gasolina	FWD	998	92	125	02.12-02.20	■
1.0 EcoBoost (M1DD)		Gasolina	FWD	998	92	125	02.12-02.20	■
1.0 EcoBoost (M1DH)		Gasolina	FWD	998	103	140	10.17-02.20	■
1.5 EcoBoost (M8DA)		Gasolina	FWD	1498	110	150	09.14-02.20	■
1.5 EcoBoost (M8DB)		Gasolina	FWD	1498	110	150	09.14-02.20	■
1.5 EcoBoost (M9DA)		Gasolina	FWD	1498	134	182	09.14-02.20	■
1.5 EcoBoost (M9DB)		Gasolina	FWD	1498	134	182	09.14-02.20	■
1.6 Ti (XTDA)		Gasolina	FWD	1596	63	85	08.11-02.20	■

LISTA DE APLICACIONES - BUYERS GUIDE

1.6 Ti (XTDB)		Gasolina	FWD	1596	63	85	08.11-02.20	■
1.6 Ti (IQDB)		Gasolina	FWD	1596	77	105	07.10-02.20	■
1.6 Ti (MUDA)		Gasolina	FWD	1596	88	120	02.12-02.20	■
1.6 Ti (MUDD)		Gasolina	FWD	1596	88	120	02.12-02.20	■
1.6 Ti (PNDA)		Gasolina	FWD	1596	92	125	07.10-02.20	■
1.6 Ti (PNDD)		Gasolina	FWD	1596	92	125	07.10-02.20	■
2.0 (XQDA)		Gasolina	FWD	1999	110	150	10.13-02.20	■
2.0 Ti-GDi (MGDA)		Gasolina	FWD	1999	125	170	07.10-02.20	■
2.0 ST (R9DA)		Gasolina	FWD	1999	184	250	07.12-02.20	■
2.0 ST (R9DB)		Gasolina	FWD	1999	184	250	07.12-02.20	■
2.0 ST (R9DC)		Gasolina	FWD	1999	184	250	07.12-02.20	■
2.0 ST (R9DD)		Gasolina	FWD	1999	184	250	07.12-02.20	■
1.6 LPG (MUDA)		Gasol./Gas (LPG)	FWD	1596	86	117	02.12-02.20	■
1.6 LPG (MUDD)		Gasol./Gas (LPG)	FWD	1596	88	120	02.12-02.20	■
1.6 LPG (MUDD)		Gasol./Gas (LPG)	FWD	1596	88	120	02.12-02.20	■
1.6 Flexifuel (MUDA)		Gasol./Etanol	FWD	1596	88	120	07.10-02.20	■
1.6 Flexifuel (MUDD)		Gasol./Etanol	FWD	1596	88	120	07.10-02.20	■
1.5 TDCi (XXDA)		Diesel	FWD	1499	70	95	09.14-02.20	■
1.5 TDCi (XXDC)		Diesel	FWD	1499	70	95	09.14-02.20	■
1.5 TDCi ECOnetic (XXDB)		Diesel	FWD	1499	77	105	09.14-02.20	■
1.5 TDCi (XWDA)		Diesel	FWD	1499	88	120	09.14-02.20	■
1.5 TDCi (XWDB)		Diesel	FWD	1499	88	120	09.14-02.20	■
1.5 TDCi (XWDC)		Diesel	FWD	1499	88	120	09.14-02.20	■
1.5 TDCi (XWDD)		Diesel	FWD	1499	88	120	09.14-02.20	■
1.5 TDCi (XWDE)		Diesel	FWD	1499	88	120	09.14-02.20	■
1.6 TDCi (T3DA)		Diesel	FWD	1560	70	95	07.10-02.20	■
1.6 TDCi (T3DB)		Diesel	FWD	1560	70	95	07.10-02.20	■
1.6 TDCi (T1DA)		Diesel	FWD	1560	85	115	07.10-02.20	■
1.6 TDCi (T1DB)		Diesel	FWD	1560	85	115	07.10-02.20	■
2.0 TDCi (T7DA)		Diesel	FWD	1997	110	150	11.14-02.20	■
2.0 TDCi (T7DB)		Diesel	FWD	1997	110	150	11.14-02.20	■
2.0 TDCi ST (T8DA)		Diesel	FWD	1997	136	185	11.14-02.20	■
FOCUS IV (HN) 01.18-							Hatchback (Compact car-C Segment)	
1.0 EcoBoost (SFDC)		Gasolina	FWD	998	63	85	05.18-11.25	■
1.0 EcoBoost (B3DA)		Gasolina	FWD	999	74	101	01.18-11.25	■
1.0 EcoBoost (B7DA)		Gasolina	FWD	999	92	125	01.18-11.25	■
1.5 Ti-VCT (Y2DA)		Gasolina	FWD	1496	90	123	11.18-11.25	■
1.5 EcoBoost (YZDA)		Gasolina	FWD	1496	110	150	09.18-11.25	■
1.5 EcoBoost (Y1DA)		Gasolina	FWD	1496	134	182	09.18-11.25	■
2.3 ST EcoBoost (N3DA)		Gasolina	FWD	2261	206	280	04.19-11.25	■
2.3 ST EcoBoost (N3DB)		Gasolina	FWD	2261	206	280	04.19-11.25	■
1.0 EcoBoost mHEV Flex		Gasol./etanol/eléc.	FWD	999	92	125	01.22-11.25	■
1.0 EcoBoost mHEV		Gasol./eléc.	FWD	999	92	125	06.20-11.25	■
1.0 ECOBOOST MHEV ACTIVE		Gasol./eléc.	FWD	999	92	125	01.21-11.25	■
1.0 EcoBoost mHEV		Gasol./eléc.	FWD	999	114	155	06.20-11.25	■
1.5 EcoBlue (Z2DA)		Diesel	FWD	1499	70	95	01.18-11.25	■

LISTA DE APLICACIONES - BUYERS GUIDE

1.5 EcoBlue		Diesel	FWD	1499	85	116	08.22-11.25	■	
1.5 EcoBlue (ZTDA)		Diesel	FWD	1499	88	120	01.18-11.25	■	
1.5 EcoBlue (ZTDB)		Diesel	FWD	1499	88	120	01.18-11.25	■	
2.0 EcoBlue (YLDA)		Diesel	FWD	1995	110	150	01.18-11.25	■	
2.0 ST EcoBlue		Diesel	FWD	1996	140	190	04.19-11.25	■	
FOCUS IV (HM) 11.18-					Saloon (Compact car-C Segment)				
1.0 EcoBoost (B3DA)		Gasolina	FWD	999	74	101	11.18-11.25	■	
1.0 EcoBoost (B7DA)		Gasolina	FWD	999	92	125	11.18-11.25	■	
1.5 Ti-VCT (Y2DA)		Gasolina	FWD	1496	90	122	11.18-11.25	■	
1.5 EcoBoost (YZDA)		Gasolina	FWD	1496	110	150	11.18-11.25	■	
1.5 Ti-VCT (Y1DA)		Gasolina	FWD	1496	134	182	11.18-	■	
1.5 EcoBlue (Z2DA)		Diesel	FWD	1499	70	95	11.18-11.25	■	
1.5 EcoBlue (ZTDA)		Diesel	FWD	1499	88	120	11.18-11.25	■	
1.5 EcoBlue (ZTDB)		Diesel	FWD	1499	88	120	11.18-11.25	■	
FOCUS IV Turnier (HP) 09.18-					Estate (Compact car-C Segment)				
1.0 EcoBoost (SFDC)		Gasolina	FWD	998	63	85	09.18-11.25	■	
1.0 EcoBoost (B3DA)		Gasolina	FWD	999	74	101	09.18-11.25	■	
1.0 EcoBoost (B7DA)		Gasolina	FWD	999	92	125	09.18-11.25	■	
1.5 Ti-VCT (Y2DA)		Gasolina	FWD	1496	90	122	09.18-11.25	■	
1.5 EcoBoost (YZDA)		Gasolina	FWD	1496	110	150	09.18-11.25	■	
1.5 EcoBoost (Y1DA)		Gasolina	FWD	1496	134	182	09.18-11.25	■	
2.3 ST EcoBoost (N3DA)		Gasolina	FWD	2261	206	280	04.19-11.25	■	
2.3 ST EcoBoost (N3DB)		Gasolina	FWD	2261	206	280	04.19-11.25	■	
1.0 EcoBoost mHEV Flex		Gasol./etanol/eléc.	FWD	999	92	125	12.22-11.25	■	
1.0 EcoBoost mHEV		Gasol./eléc.	FWD	999	92	125	07.20-11.25	■	
1.0 EcoBoost mHEV		Gasol./eléc.	FWD	999	114	155	07.20-11.25	■	
1.5 EcoBlue (Z2DA)		Diesel	FWD	1499	70	95	09.18-11.25	■	
1.5 EcoBlue		Diesel	FWD	1499	85	116	08.22-11.25	■	
1.5 EcoBlue (ZTDA)		Diesel	FWD	1499	88	120	09.18-11.25	■	
1.5 EcoBlue (ZTDB)		Diesel	FWD	1499	88	120	09.18-11.25	■	
2.0 EcoBlue (YLDA)		Diesel	FWD	1995	110	150	09.18-11.25	■	
2.0 ST EcoBlue		Diesel	FWD	1995	140	190	04.19-11.25	■	
KUGA III / ESCAPE IV (DFK) 07.19-					SUV (Compact SUV-J Segment)				
1.5 EcoBoost		Gasolina	FWD	1496	88	120	07.19-	■	
1.5 EcoBoost		Gasolina	FWD	1496	110	150	07.19-	■	
1.5 EcoBoost		Gasolina	FWD	1496	134	183	09.19-	■	
1.5 EcoBoost 4x4		Gasolina	4WD	1496	134	183	09.19-	■	
2.0 EcoBoost A las 4 ruedas		Gasolina	4WD	1999	183	249	11.20-	■	
2.0 EcoBoost		Gasolina	FWD	1999	186	253	07.19-	■	
2.0 EcoBoost 4x4		Gasolina	4WD	1999	186	253	07.19-	■	
2.5 Hybrid Flex		Gasol./etanol/eléc.	FWD	2488	140	190	06.23-	■	
2.5 Duratec FHEV		Gasol./eléc.	FWD	2488	132	179	01.24-	■	
2.5 Duratec FHEV 4x4		Gasol./eléc.	4WD	2488	134	182	01.24-	■	
2.5 FHEV		Gasol./eléc.	FWD	2488	140	190	01.21-	■	
2.5 FHEV 4x4		Gasol./eléc.	4WD	2488	140	190	01.21-	■	

LISTA DE APLICACIONES - BUYERS GUIDE

2.5 FHEV		Gasol./el éc.	FWD	2488	143	194	01.23-	■
2.5 FHEV 4x4		Gasol./el éc.	4WD	2488	143	194	01.23-	■
2.5 FHEV		Gasol./el éc.	FWD	2488	149	203	09.19-	■
2.5 FHEV 4x4		Gasol./el éc.	4WD	2488	149	203	09.19-	■
2.5 Duratec Plug-in-Hybrid 4x4		Gasol./el éc.	FWD	2488	157	213	01.23-	■
2.5 Duratec Plug-in-Hybrid 4x4		Gasol./el éc.	FWD	2488	165	224	07.19-	■
2.5 Duratec Plug-in-Hybrid 4x4		Gasol./el éc.	4WD	2488	165	224	07.19-	■
2.5 Duratec PHEV		Gasol./el éc.	FWD	2488	178	242	01.24-	■
2.0 EcoBlue mHEV (YLDC)		Diesel/el éc.	FWD	1995	110	150	07.19-	■
1.5 EcoBlue (ZTDA)		Diesel	FWD	1499	88	120	07.19-	■
2.0 TDCi		Diesel	FWD	1995	88	120	11.22-	■
2.0 TDCi 4x4		Diesel	4WD	1995	88	120	11.22-	■
2.0 EcoBlue 4x4		Diesel	4WD	1995	140	190	07.19-	■
2.0 EcoBlue 4x4		Diesel	4WD	1996	110	150	02.21-	■

FORD AUSTRALIA

ENDURA (CA) 10.18-					SUV (Compact SUV-J Segment)			
2.0 (BCCA, BCCB)		Diesel	FWD	1995	140	190	10.18-	■
2.0 AWD (BCCA, BCCB)		Diesel	4WD	1995	140	190	10.18-	■
FOCUS (SA) 08.18-					Estate (Compact car-C Segment)			
1.5 EcoBoost (Y1DA)	elec.brake detention	Gasolina	FWD	1496	134	182	08.18-	■
2.0 EcoBoost (YLDA)	elec.brake detention	Gasolina	FWD	1995	110	150	08.18-	■
FOCUS (LZ) 05.15-					Hatchback (Compact car-C Segment)			
1.5 EcoBoost (Y1DA)	elec.brake detention	Gasolina	FWD	1496	134	182	08.18-	■
2.0 ST (R9DA)		Gasolina	FWD	1999	184	250	05.15-	■
2.3 RS		Gasolina	FWD	2261	257	350	11.15-	■

LINCOLN (CHANGAN)

CORSAIR 03.20-					Closed Off-Road Vehicle (Luxury Crossover SUV-J Segment)			
2.0		Gasolina	FWD	1999	180	245	02.20-	■
2.0 AWD		Gasolina	4WD	1999	180	245	02.20-	■