

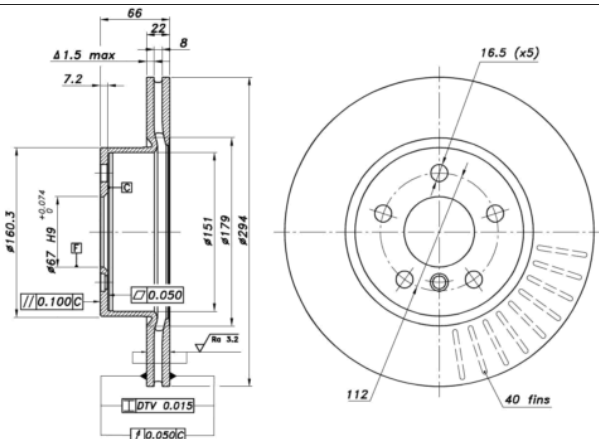
LISTA DE APLICACIONES - BUYERS GUIDE

78BD0124-2



Weight: 13.400

O.E.M.	MAKE
34106877211	BMW
6877211	BMW



78BD0124-2



Ø294x22x66

MAKE
BMW



Trac.	CC	Kw	CV			Front / Rear
-------	----	----	----	--	--	--------------

BMW

2 Serie II (G42, G87) 08.21-

218i	not M technique	Gasolina	RWD	1998	Coupe (Compact car-C Segment)			
					115	156	07.22-	■

3 Serie VII (G20, G80, G28) 11.18-

					Saloon (Compact executive car-D Segment)			
318i (B48 B20 A)	not M technique	Gasolina	RWD	1998	115	156	03.20-	■
316 d Mild-Hybrid (B47 D20 B)	not M technique	Diesel/el éc.	RWD	1995	85	116	11.20-	■
316 d Mild-Hybrid (JA1)	not M technique	Diesel/el éc.	RWD	1995	85	116	11.20-	■
316 d Mild-Hybrid (B47 D20 B)	not M technique	Diesel/el éc.	RWD	1995	90	122	08.20-	■
316 d Mild-Hybrid (JA1)	not M technique	Diesel/el éc.	RWD	1995	90	122	08.20-	■
318 d Mild-Hybrid (B47 D20 B)	not M technique	Diesel/el éc.	RWD	1995	100	136	04.20-	■
318 d Mild-Hybrid (JA1)	not M technique	Diesel/el éc.	RWD	1995	100	136	04.20-	■
318 d Mild-Hybrid (B47 D20 B)	not M technique	Diesel/el éc.	RWD	1995	110	150	04.20-	■
318 d Mild-Hybrid (JA1)	not M technique	Diesel/el éc.	RWD	1995	110	150	04.20-	■
316 d (B47 D20 B)	not M technique	Diesel	RWD	1995	85	116	11.20-	■
316 d (B47 D20 B)	not M technique	Diesel	RWD	1995	90	122	03.20-	■
318 d (B47 D20 B)	not M technique	Diesel	RWD	1995	100	136	03.19-03.20	■
318 d (B47 D20 B)	not M technique	Diesel	RWD	1995	110	150	03.19-03.20	■

3 Serie VII Touring (G21, G81) 07.19-

					Estate (Compact executive car-D Segment)			
318i (B48 B20 A)	not M technique	Gasolina	RWD	1998	115	156	03.20-	■
316 d Mild-Hybrid (B47 D20 B)	not M technique	Diesel/el éc.	RWD	1995	85	116	11.20-	■

LISTA DE APLICACIONES - BUYERS GUIDE

316 d Mild-Hybrid (JA1)	not M technique	Diesel/el éc.	RWD	1995	85	116	11.20-	■
316 d Mild-Hybrid (B47 D20 B)	not M technique	Diesel/el éc.	RWD	1995	90	122	07.20-	■
316 d Mild-Hybrid (JA1)	not M technique	Diesel/el éc.	RWD	1995	90	122	07.20-	■
316 d (B47 D20 B)	not M technique	Diesel	RWD	1995	85	116	11.20-	■
316 d (B47 D20 B)	not M technique	Diesel	RWD	1995	90	122	11.20-	■
318 d (B47 D20 B)	not M technique	Diesel	RWD	1995	100	136	11.19-07.20	■
318 d (B47 D20 B)	not M technique	Diesel	RWD	1995	110	150	11.19-07.20	■
3 Serie VII Touring Van (G21) 07.19-						Estate Van (Compact executive car-D Segment)		
318 d		Diesel	RWD	1995	110	150	11.19-06.22	■