

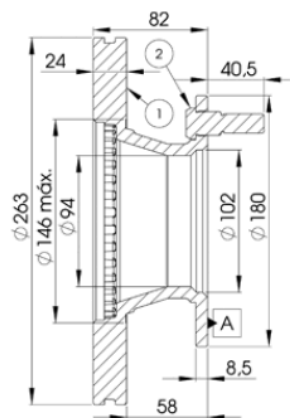
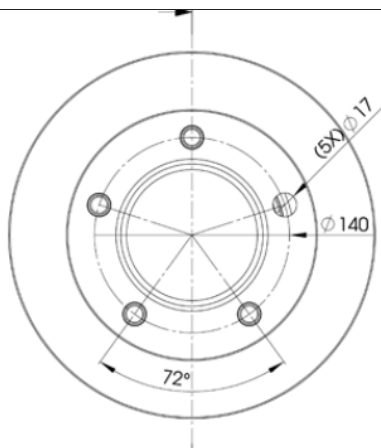
LISTA DE APLICACIONES - BUYERS GUIDE

78BD0180-1



Weight: 7.850

O.E.M.	MAKE
631 420 0170	MERCEDES-BENZ
631 420 0172	MERCEDES-BENZ



78BD0180-1

E1 90R-02C0074/0743



∅263x24x82

MAKE
MERCEDES-BENZ



Trac.	CC	Kw	CV
-------	----	----	----



Front / Rear

MERCEDES-BENZ

								Bus (Minibus-M2-Segment)			
MB (W631) 02.88-04.96											
2.0 D (631.309, 631.308) (OM 615.963)	Type 130, Type 130,170, Type 170	Diesel	FWD	1988	44	60	04.88-08.93	■			
2.0 D (631.309, 631.308) (OM 615.970)	Type 130, Type 130,170, Type 170	Diesel	FWD	1988	44	60	04.88-08.93	■			
2.0 D (631.308) (OM 615.970)	Type 130, Type 130,170, Type 170	Diesel	FWD	1988	45	61	09.93-04.96	■			
D (OM 616)	Type 130, Type 130,170, Type 170	Diesel	FWD	2399	41	56	12.90-12.94	■			
D (631.333, 631.343, 631.334, 631.344) (OM 616.963)	Type 130, Type 130,170, Type 170	Diesel	FWD	2399	53	72	02.88-05.92	■			
D (631.333, 631.343, 631.334, 631.344) (OM 616)	Type 130, Type 130,170, Type 170	Diesel	FWD	2399	55	75	12.90-02.96	■			
D (631.333, 631.343, 631.334, 631.344) (OM 616.963)	Type 130, Type 130,170, Type 170	Diesel	FWD	2399	55	75	12.90-02.96	■			
								Platform/Chassis (LCVs-N1 Segment)			
MB (W631) 02.88-02.96											
D (631.340) (OM 616.963)	Type 130, Type 130,170, Type 170	Diesel	FWD	2399	53	72	02.88-05.92	■			
D (631.340) (OM 616.963)	Type 130, Type 130,170, Type 170	Diesel	FWD	2399	55	75	12.90-02.96	■			
								Van (LCVs-N1 Segment)			
MB (W631) 02.88-09.96											
2.0 D (631.307) (OM 615.970)	Type 130, Type 130,170, Type 170	Diesel	FWD	1988	44	60	04.88-08.93	■			
2.0 D (OM 615.970)	Type 130, Type 130,170, Type 170	Diesel	FWD	1988	45	61	09.93-04.96	■			
D (631.332, 631.342) (OM 616.963)	Type 130, Type 130,170, Type 170	Diesel	FWD	2399	53	72	02.88-05.92	■			
D (631.332, 631.342) (OM 616.963)	Type 130, Type 130,170, Type 170	Diesel	FWD	2399	55	75	12.90-02.96	■			