

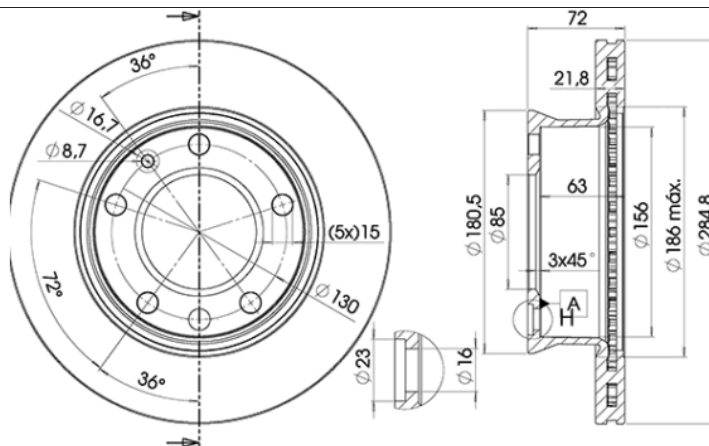
LISTA DE APLICACIONES - BUYERS GUIDE

78BD0187-1



Weight: 7.190

O.E.M.	MAKE
903 421 00 12	MERCEDES-BENZ
903 421 01 12	MERCEDES-BENZ
A9034210012	MERCEDES-BENZ



78BD0187-1

E1 90R-02C0339/0048



Ø284.8x21.8x72

MAKE
MERCEDES-BENZ



Trac.	CC	Kw	CV	Front / Rear
-------	----	----	----	--------------

MERCEDES-BENZ

SPRINTER 3-Ton. (B903) 01.95-05.12							Bus (Minibus-M2-Segment)			
314 (903.071, 903.072, 903.073, 903.671, 903.672,... (M 111.979)	Axle 730.415	Gasolina	RWD	2295	105	143	02.95-05.06	■		
314 (903.071, 903.072, 903.073, 903.671, 903.672,... (M 111.984)	Axle 730.415	Gasolina	RWD	2295	105	143	02.95-05.06	■		
314 4x4 (903.672, 903.673) (M 111.984)	Axle 730.415	Gasolina	4WD	2295	105	143	02.95-05.06	■		
314 NGT (903.072, 903.671, 903.672) (M 111.979)	Axle 730.415	Gasol./Gas (CNG)	RWD	2295	95	129	02.95-05.06	■		
314 NGT (903.072, 903.671, 903.672) (M 111.984)	Axle 730.415	Gasol./Gas (CNG)	RWD	2295	95	129	02.95-05.06	■		
308 E (903.372)	Axle 730.415	Eléctrico	RWD		40	54	01.96-05.06	■		
308 CDI (903.671, 903.672, 903.673) (OM 611.987)	Axle 730.415	Diesel	RWD	2148	60	82	04.00-05.06	■		
311 CDI (903.671, 903.672) (OM 611.981)	Axle 730.415	Diesel	RWD	2148	80	109	04.00-05.06	■		
311 CDI 4x4 (903.672, 903.673) (OM 611.981)	Axle 730.415	Diesel	4WD	2148	80	109	08.02-05.06	■		
313 CDI (903.671, 903.672, 903.673) (OM 611.981)	Axle 730.415	Diesel	RWD	2148	95	129	04.00-05.06	■		
313 CDI 4x4 (903.672, 903.673) (OM 611.981)	Axle 730.415	Diesel	4WD	2148	95	129	08.02-05.06	■		
2.3 D		Diesel	RWD	2299	58	79	06.97-12.99	■		
308 D (903.372, 903.373) (OM 601.943)	Axle 730.415	Diesel	RWD	2299	58	79	02.95-04.00	■		
308 D (903.371, 903.372, 903.373) (OM 601.943)	Axle 730.415	Diesel	RWD	2299	60	82	03.97-04.00	■		
316 CDI (903.671, 903.672, 903.673) (OM 612.981)	Axle 730.415	Diesel	RWD	2685	115	156	04.00-05.06	■		
316 CDI (903.671, 903.672, 903.673) (OM 647.981)	Axle 730.415	Diesel	RWD	2685	115	156	04.00-05.06	■		
316 CDI 4x4 (903.672, 903.673) (OM 612.981)	Axle 730.415	Diesel	4WD	2685	115	156	08.02-05.06	■		
316 CDI 4x4 (903.672, 903.673) (OM 647.981)	Axle 730.415	Diesel	4WD	2685	115	156	08.02-05.06	■		

LISTA DE APLICACIONES - BUYERS GUIDE

310 D (903.471, 903.472, 903.473) (OM 602.980)		Diesel	RWD	2874	75	102	01.97-12.99	■	
310 D 4x4 (903.472, 903.473) (OM 602.980)	Axle 730.415	Diesel	4WD	2874	75	102	05.97-08.02	■	
312 D 2.9 (903.471, 903.472, 903.473) (OM 602.980)	Axle 730.415	Diesel	RWD	2874	90	122	02.95-04.00	■	
312 D 2.9 4x4 (903.473) (OM 602.980)	Axle 730.415	Diesel	4WD	2874	90	122	05.97-08.02	■	
SPRINTER 3-Ton. (B903) 01.95-05.12							Platform/Chassis (LCVs-N1 Segment)		
314 (903.011, 903.012, 903.013, 903.022, 903.612,... (M 111.979)	Axle 730.415	Gasolina	RWD	2295	105	143	02.95-05.06	■	
314 (903.011, 903.012, 903.013, 903.022, 903.612,... (M 111.984)	Axle 730.415	Gasolina	RWD	2295	105	143	02.95-05.06	■	
314 4x4 (903.612, 903.613, 903.622) (M 111.984)	Axle 730.415	Gasolina	4WD	2295	105	143	02.95-05.06	■	
314 NGT (903.611, 903.612, 903.613, 903.622, 903.012,... (M 111.979)	Axle 730.415	Gasol./Gas (CNG)	RWD	2295	95	129	02.95-05.06	■	
314 NGT (903.611, 903.612, 903.613, 903.622, 903.012,... (M 111.984)	Axle 730.415	Gasol./Gas (CNG)	RWD	2295	95	129	02.95-05.06	■	
308 E (903.312, 903.322)		Eléctrico	RWD		40	54	01.96-05.06	■	
308 CDI (903.611, 903.612, 903.613, 903.621, 903.622,... (OM 611.987)	Axle 730.415	Diesel	RWD	2148	60	82	04.00-05.06	■	
311 CDI (903.611, 903.612, 903.613, 903.621, 903.622,... (OM 611.981)	Axle 730.415	Diesel	RWD	2148	80	109	04.00-05.06	■	
311 CDI 4x4 (903.612, 903.613, 903.622, 903.623) (OM 611.981)	Axle 730.415	Diesel	4WD	2148	80	109	04.00-05.06	■	
313 CDI (903.611, 903.612, 903.621, 903.622, 903.623,... (OM 611.981)	Axle 730.415	Diesel	RWD	2148	95	129	04.00-05.06	■	
313 CDI 4x4 (903.612, 903.613, 903.622, 903.623) (OM 611.981)	Axle 730.415	Diesel	4WD	2148	95	129	04.00-05.06	■	
308 D 2.3 (903.311, 903.322) (OM 601.943)	Axle 730.415	Diesel	RWD	2299	58	79	02.95-04.00	■	
308 D 2.3 (903.311, 903.322) (OM 601.943)	Axle 730.415	Diesel	RWD	2299	60	82	11.96-04.00	■	
316 CDI (903.611, 903.612, 903.613, 903.621, 903.622,... (OM 612.981)	Axle 730.415	Diesel	RWD	2685	115	156	04.00-05.06	■	
316 CDI (903.611, 903.612, 903.613, 903.621, 903.622,... (OM 647.981)	Axle 730.415	Diesel	RWD	2685	115	156	04.00-05.06	■	
316 CDI 4x4 (903.612, 903.613, 903.622, 903.623) (OM 612.981)	Axle 730.415	Diesel	4WD	2685	115	156	08.02-05.06	■	
316 CDI 4x4 (903.612, 903.613, 903.622, 903.623) (OM 647.981)	Axle 730.415	Diesel	4WD	2685	115	156	08.02-05.06	■	
310 D 2.9 (903.411, 903.412, 903.413, 903.421, 903.422,... (OM 602.980)	Axle 730.415	Diesel	RWD	2874	75	102	01.97-04.00	■	
310 D 2.9 4x4 (903.421, 903.422, 903.423) (OM 602.980)		Diesel	4WD	2874	75	102	01.97-04.00	■	
312 D 2.9 (903.411, 903.412, 903.421, 903.422, 903.423) (OM 602.980)	Axle 730.415	Diesel	RWD	2874	85	116	12.98-09.01	■	
312 D 2.9 (903.411, 903.412, 903.421, 903.422, 903.423) (OM 602.980)	Axle 730.415	Diesel	RWD	2874	90	122	02.95-04.00	■	
312 D 2.9 4x4 (903.411)		Diesel	4WD	2874	90	122	02.95-04.00	■	
SPRINTER 3-Ton. (B903) 01.95-05.12							Van (LCVs-N1 Segment)		
314 (903.061, 903.062, 903.063, 903.661, 903.662) (M 111.979)	Axle 730.415	Gasolina	RWD	2295	105	143	02.95-05.06	■	
314 (903.061, 903.062, 903.063, 903.661, 903.662) (M 111.984)	Axle 730.415	Gasolina	RWD	2295	105	143	02.95-05.06	■	
314 4x4 (903.661, 903.662, 903.663) (M 111.984)	Axle 730.415	Gasolina	4WD	2295	105	143	02.95-05.06	■	
314 NGT (903.661, 903.061, 903.062, 903.063, 903.662) (M 111.979)	Axle 730.415	Gasol./Gas (CNG)	RWD	2295	95	129	02.95-05.06	■	
314 NGT (903.661, 903.061, 903.062, 903.063, 903.662) (M 111.984)	Axle 730.415	Gasol./Gas (CNG)	RWD	2295	95	129	02.95-05.06	■	
308 E (903.362)		Eléctrico	RWD		40	54	01.96-05.06	■	
308 CDI (903.661, 903.662, 903.663) (OM 611.987)	Axle 730.415	Diesel	RWD	2148	60	82	04.00-05.06	■	
311 CDI (903.661, 903.662, 903.663) (OM 611.981)	Axle 730.415	Diesel	RWD	2148	80	109	04.00-05.06	■	

LISTA DE APLICACIONES - BUYERS GUIDE

311 CDI 4x4 (903.662, 903.663) (OM 611.981)	Axle 730.415	Diesel	4WD	2148	80	109	08.02-05.06	■	
313 CDI (903.663, 903.662, 903.661) (OM 611.981)	Axle 730.415	Diesel	RWD	2148	95	129	04.00-05.06	■	
313 CDI 4x4 (903.662, 903.663) (OM 611.981)	Axle 730.415	Diesel	4WD	2148	95	129	08.02-05.06	■	
2.3 D		Diesel	RWD	2299	58	79	06.97-12.99	■	
308 D 2.3 (903.361, 903.362, 903.363) (OM 601.943)	Axle 730.415	Diesel	RWD	2299	58	79	02.95-04.00	■	
308 D 2.3 (903.361) (OM 601.943)	Axle 730.415	Diesel	RWD	2299	60	82	02.95-04.00	■	
316 CDI (903.661, 903.662, 903.663) (OM 612.981)	Axle 730.415	Diesel	RWD	2685	115	156	04.00-05.06	■	
316 CDI (903.661, 903.662, 903.663) (OM 647.981)	Axle 730.415	Diesel	RWD	2685	115	156	04.00-05.06	■	
316 CDI 4x4 (903.662, 903.663) (OM 612.981)	Axle 730.415	Diesel	4WD	2685	115	156	02.01-05.06	■	
316 CDI 4x4 (903.662, 903.663) (OM 647.981)	Axle 730.415	Diesel	4WD	2685	115	156	02.01-05.06	■	
310 D 2.9 (903.461, 903.462, 903.463) (OM 602.980)	Axle 730.415	Diesel	RWD	2874	75	102	02.95-04.00	■	
310 D 2.9 4x4 (903.461, 903.462) (OM 602.980)		Diesel	4WD	2874	75	102	06.97-04.00	■	
312 D 2.9 (903.461, 903.462, 903.463) (OM 602.980)	Axle 730.415	Diesel	RWD	2874	90	122	02.95-04.00	■	
312 D 2.9 4x4 (903.461, 903.462) (OM 602.980)	Axle 730.415	Diesel	4WD	2874	90	122	05.97-08.02	■	
SPRINTER 4-Ton. (B904) 02.96-05.06					Bus (Minibus-M2-Segment)				
414 (904.662, 904.663) (M 111.979)		Gasolina	RWD	2295	105	143	02.96-05.06	■	
414 (904.662, 904.663) (M 111.984)		Gasolina	RWD	2295	105	143	02.96-05.06	■	
408 CDI (904.662, 904.663) (OM 611.987)		Diesel	RWD	2148	60	82	04.00-05.06	■	
411 CDI (904.662, 904.663) (OM 611.981)		Diesel	RWD	2148	80	109	04.00-05.06	■	
413 CDI (904.663, 904.662) (OM 611.981)		Diesel	RWD	2148	95	129	04.00-05.06	■	
416 CDI (904.662, 904.663) (OM 612.981)		Diesel	RWD	2685	115	156	04.00-05.06	■	
SPRINTER 4-Ton. (B904) 02.95-05.12					Platform/Chassis (LCVs-N1 Segment)				
414 (904.012, 904.013, 904.612, 904.613) (M 111.979)		Gasolina	RWD	2295	105	143	02.95-05.06	■	
414 (904.012, 904.013, 904.612, 904.613) (M 111.984)		Gasolina	RWD	2295	105	143	02.95-05.06	■	
414 4x4 (904.012, 904.013, 904.612, 904.613) (M 111.979)		Gasolina	4WD	2295	105	143	05.97-05.06	■	
414 4x4 (904.012, 904.013, 904.612, 904.613) (M 111.984)		Gasolina	4WD	2295	105	143	05.97-05.06	■	
408 CDI (904.612, 904.623, 904.622, 904.613) (OM 611.987)		Diesel	RWD	2148	60	82	04.00-05.06	■	
411 CDI (904.612, 904.623, 904.622, 904.613) (OM 611.981)		Diesel	RWD	2148	80	109	04.00-05.06	■	
411 CDI 4x4 (904.612, 904.623, 904.622, 904.613) (OM 611.981)		Diesel	4WD	2148	80	109	04.00-05.06	■	
413 CDI (904.612, 904.623, 904.622, 904.613) (OM 611.981)		Diesel	RWD	2148	95	129	04.00-05.06	■	
413 CDI 4x4 (904.623, 904.613) (OM 611.981)		Diesel	4WD	2148	95	129	04.00-05.06	■	
2.3 D		Diesel	RWD	2299	58	79	06.97-12.99	■	
408 D (904.322, 904.312) (OM 601.943)		Diesel	RWD	2299	58	79	02.96-05.06	■	
416 CDI (OM 612.981)		Diesel	RWD	2685	115	156	04.00-05.06	■	
416 CDI (OM 647.981)		Diesel	RWD	2685	115	156	04.00-05.06	■	
416 CDI 4x4 (OM 612.981)		Diesel	4WD	2685	115	156	04.00-05.06	■	
416 CDI 4x4 (OM 647.981)		Diesel	4WD	2685	115	156	04.00-05.06	■	
410 D (904.412, 904.423, 904.422, 904.413) (OM 602.980)		Diesel	RWD	2874	75	102	02.96-05.06	■	
410 D 4x4 (904.422) (OM 602.980)		Diesel	4WD	2874	75	102	05.97-05.06	■	
412 D (904.413, 904.412) (OM 602.980)		Diesel	RWD	2874	85	115	02.96-05.06	■	
412 D 4x4 (904.412) (OM 602.980)		Diesel	4WD	2874	85	115	05.97-05.06	■	
412 D (904.412, 904.423, 904.413) (OM 602.980)		Diesel	RWD	2874	90	122	02.96-05.06	■	

LISTA DE APLICACIONES - BUYERS GUIDE

412 D 4x4 (904.412) (OM 602.980)	Diesel	4WD	2874	90	122	05.97-05.06	■
SPRINTER 4-Ton. (B904) 02.95-05.12				Van (LCVs-N1 Segment)			
414 (904.062, 904.063, 904.662, 904.663) (M 111.979)	Gasolina	RWD	2295	105	143	02.96-05.06	■
414 (904.062, 904.063, 904.662, 904.663) (M 111.984)	Gasolina	RWD	2295	105	143	02.96-05.06	■
414 4x4 (904.062, 904.063, 904.662, 904.663) (M 111.979)	Gasolina	4WD	2295	105	143	05.97-05.06	■
414 4x4 (904.062, 904.063, 904.662, 904.663) (M 111.984)	Gasolina	4WD	2295	105	143	05.97-05.06	■
408 CDI (904.663, 904.662) (OM 611.987)	Diesel	RWD	2148	60	82	04.00-05.06	■
411 CDI (904.663, 904.662) (OM 611.981)	Diesel	RWD	2148	80	109	04.00-05.06	■
411 CDI 4x4 (904.663, 904.662) (OM 611.981)	Diesel	4WD	2148	80	109	04.00-05.06	■
413 CDI (904.663, 904.662) (OM 611.981)	Diesel	RWD	2148	95	129	04.00-05.06	■
413 CDI 4x4 (904.663) (OM 611.981)	Diesel	4WD	2148	95	129	04.00-05.06	■
2.3 D	Diesel	RWD	2299	58	79	06.97-12.99	■
408 D (904.362) (OM 601.943)	Diesel	RWD	2299	58	79	02.96-05.06	■
416 CDI (OM 612.981)	Diesel	RWD	2685	115	156	04.00-05.06	■
416 CDI (OM 647.981)	Diesel	RWD	2685	115	156	04.00-05.06	■
416 CDI 4x4 (OM 612.981)	Diesel	4WD	2685	115	156	04.00-05.06	■
416 CDI 4x4 (OM 647.981)	Diesel	4WD	2685	115	156	04.00-05.06	■
410 D (904.463, 904.462) (OM 602.980)	Diesel	RWD	2874	75	102	02.96-05.06	■
410 D 4x4 (904.462) (OM 602.980)	Diesel	4WD	2874	75	102	05.97-05.06	■
412 D (904.463, 904.462) (OM 602.980)	Diesel	RWD	2874	85	115	02.96-05.06	■
412 D 4x4 (904.462) (OM 602.980)	Diesel	4WD	2874	85	115	05.97-05.06	■
412 D (904.463, 904.462) (OM 602.980)	Diesel	RWD	2874	90	122	02.96-05.06	■
412 D 4x4 (904.462) (OM 602.980)	Diesel	4WD	2874	90	122	05.97-05.06	■