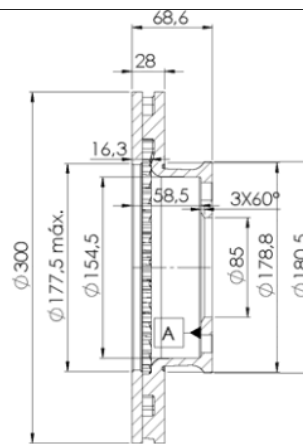
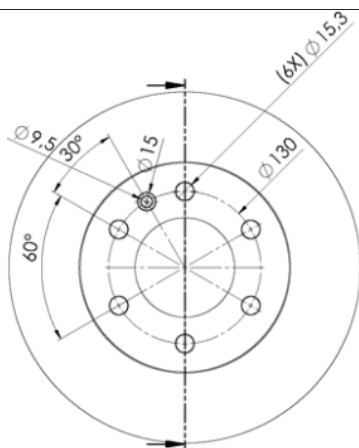


# LISTA DE APLICACIONES - BUYERS GUIDE

## 78BD0190-2



Weight: 18.256



## 78BD0190-2

**E1 90R-02C0538/0082**



Ø300x28x68.6

**MAKE**  
FREIGHTLINER  
MERCEDES-BENZ  
VW

O.E.M.	MAKE
2E0 615 301	VW
906 421 00 12	MERCEDES-BENZ
906 421 01 12	MERCEDES-BENZ
9064210212	MERCEDES-BENZ
9074210100	MERCEDES-BENZ
907421010007	MERCEDES-BENZ
9104210000	MERCEDES-BENZ
910421000007	MERCEDES-BENZ
9104210100	MERCEDES-BENZ
A9064210012	MERCEDES-BENZ
A9064210212	MERCEDES-BENZ
A9074210100	MERCEDES-BENZ
A907421010007	MERCEDES-BENZ



Trac.	CC	Kw	CV
-------	----	----	----



Front / Rear

### FREIGHTLINER

#### SPRINTER 3500 (U.S.A.) 09.06-

#### Van (LCVs-N1 Segment)

3.5 (EG2)	Gasolina	RWD	3498	190	258	09.06-12.08	■
-----------	----------	-----	------	-----	-----	-------------	---

### MERCEDES-BENZ

#### SPRINTER II 3-Ton. (B906) 06.06-

#### Bus (Minibus-M2-Segment)

216 (906.713) (M 271.951)	Gasolina	RWD	1796	115	156	03.09-12.18	■
224 (906.713) (M 272.979)	Gasolina	RWD	3498	190	258	06.06-12.13	■
211 CDI (906.711, 906.713) (OM 651.955)	Diesel	RWD	2143	84	114	04.16-12.18	■
214 CDI (906.711, 906.713) (OM 651.955)	Diesel	RWD	2143	105	143	04.16-12.18	■
209 CDI (906.711, 906.713)	Diesel	RWD	2148	65	88	04.12-12.19	■
211 CDI (906.711, 906.713) (OM 646.985)	Diesel	RWD	2148	80	109	06.06-12.09	■
215 CDI (906.711, 906.713) (OM 646.986)	Diesel	RWD	2148	110	150	06.06-12.09	■
215 CDI (906.711, 906.713) (OM 646.989)	Diesel	RWD	2148	110	150	06.06-12.09	■
215 CDI (906.711, 906.713) (OM 646.990)	Diesel	RWD	2148	110	150	06.06-12.09	■
218 CDI (906.711, 906.713)	Diesel	RWD	2987	135	184	04.12-12.18	■

#### SPRINTER II 3-Ton. (B906) 06.06-

#### Platform/Chassis (LCVs-N1 Segment)

216 (906.113, 906.213) (M 271.951)	Gasolina	RWD	1796	115	156	09.08-12.18	■
224 (906.113, 906.213) (M 272.979)	Gasolina	RWD	3498	190	258	06.06-12.16	■
210 CDI (906.111, 906.113, 906.211, 906.213) (OM 651.955)	Diesel	RWD	2143	70	95	03.09-12.16	■
211 CDI (906.111, 906.113, 906.211, 906.213) (OM 651.955)	Diesel	RWD	2143	84	114	04.16-12.18	■
213 CDI (906.111, 906.113, 906.211, 906.213) (OM 651.955)	Diesel	RWD	2143	95	129	03.09-12.16	■
213 CDI (906.111, 906.113, 906.211, 906.213) (OM 651.957)	Diesel	RWD	2143	95	129	03.09-12.16	■

## LISTA DE APLICACIONES - BUYERS GUIDE

214 CDI (906.111, 906.113, 906.211, 906.213) (OM 651.955)	Diesel	RWD	2143	105	143	04.16-12.18	■	
216 CDI (906.111, 906.113, 906.211, 906.213) (OM 651.957)	Diesel	RWD	2143	120	163	03.09-12.18	■	
209 CDI (906.111, 906.113, 906.211, 906.213) (OM 646.984)	Diesel	RWD	2148	65	88	06.06-12.09	■	
211 CDI (906.111, 906.113, 906.211, 906.213) (OM 646.985)	Diesel	RWD	2148	80	109	06.06-12.09	■	
213 CDI (906.111, 906.113, 906.211, 906.213) (OM 646.986)	Diesel	RWD	2148	95	129	06.06-12.09	■	
215 CDI (906.111, 906.113, 906.211, 906.213) (OM 646.986)	Diesel	RWD	2148	110	150	06.06-12.09	■	
215 CDI (906.111, 906.113, 906.211, 906.213) (OM 646.989)	Diesel	RWD	2148	110	150	06.06-12.09	■	
215 CDI (906.111, 906.113, 906.211, 906.213) (OM 646.990)	Diesel	RWD	2148	110	150	06.06-12.09	■	
218 CDI (906.111, 906.113, 906.211, 906.213) (OM 642.896)	Diesel	RWD	2987	135	184	06.06-12.09	■	
218 CDI (906.111, 906.113, 906.211, 906.213) (OM 642.992)	Diesel	RWD	2987	135	184	06.06-12.09	■	
218 CDI (906.111, 906.113, 906.211, 906.213) (OM 642.993)	Diesel	RWD	2987	135	184	06.06-12.09	■	
219 CDI / BlueTEC (906.111, 906.113, 906.211, 906.213) (OM 642.896)	Diesel	RWD	2987	140	190	03.09-12.18	■	
219 CDI / BlueTEC (906.111, 906.113, 906.211, 906.213) (OM 642.992)	Diesel	RWD	2987	140	190	03.09-12.18	■	
<b>SPRINTER II 3-Ton. (B906) 06.06-</b>						<b>Van (LCVs-N1 Segment)</b>		
216 (906.613) (M 271.951)	Gasolina	RWD	1796	115	156	09.08-12.18	■	
224 (906.613) (M 272.979)	Gasolina	RWD	3498	190	258	06.06-12.16	■	
210 CDI (906.611, 906.613) (OM 651.955)	Diesel	RWD	2143	70	95	03.09-12.16	■	
211 CDI (906.611, 906.613) (OM 651.955)	Diesel	RWD	2143	84	114	04.16-12.18	■	
214 CDI (906.611, 906.613) (OM 651.955)	Diesel	RWD	2143	105	143	04.16-12.18	■	
216 CDI (906.611, 906.613) (OM 651.955)	Diesel	RWD	2143	120	163	03.09-12.18	■	
216 CDI (906.611, 906.613) (OM 651.957)	Diesel	RWD	2143	120	163	03.09-12.18	■	
209 CDI (906.611, 906.613) (OM 646.984)	Diesel	RWD	2148	65	88	06.06-12.09	■	
211 CDI (906.611, 906.613) (OM 646.985)	Diesel	RWD	2148	80	109	06.06-12.09	■	
213 CDI (906.611, 906.613) (OM 646.986)	Diesel	RWD	2148	95	129	06.06-12.09	■	
215 CDI (906.611, 906.613) (OM 646.986)	Diesel	RWD	2148	110	150	06.06-12.09	■	
215 CDI (906.611, 906.613) (OM 646.989)	Diesel	RWD	2148	110	150	06.06-12.09	■	
215 CDI (906.611, 906.613) (OM 646.990)	Diesel	RWD	2148	110	150	06.06-12.09	■	
218 CDI (906.611, 906.613) (OM 642.896)	Diesel	RWD	2987	135	184	06.06-12.09	■	
218 CDI (906.611, 906.613) (OM 642.992)	Diesel	RWD	2987	135	184	06.06-12.09	■	
219 CDI / BlueTEC (906.611, 906.613) (OM 642.896)	Diesel	RWD	2987	140	190	03.09-12.18	■	
219 CDI / BlueTEC (906.611, 906.613) (OM 642.992)	Diesel	RWD	2987	140	190	03.09-12.18	■	
<b>SPRINTER II 3.5-Ton. (B906) 06.06-</b>						<b>Bus (Minibus-M2-Segment)</b>		
316 (906.733, 906.735) (M 271.951)	Gasolina	RWD	1796	115	156	09.08-12.18	■	
324 (906.733, 906.735) (M 272.979)	Gasolina	RWD	3498	190	258	06.06-12.16	■	
316 NGT (906.733) (M 271.951)	Gasol./G as (CNG)	RWD	1796	115	156	03.09-12.18	■	
316 NGT (906.733, 906.735)	Gasol./G as (CNG)	RWD	1796	115	156	09.08-	■	
310 CDI (906.731, 906.733, 906.735) (OM 651.955)	Diesel	RWD	2143	70	95	03.09-12.16	■	
310 CDI (906.731, 906.733, 906.735) (OM 651.956)	Diesel	RWD	2143	70	95	03.09-12.16	■	
311 CDI (906.731, 906.733, 906.735) (OM 651.955)	Diesel	RWD	2143	84	114	05.16-12.18	■	
313 CDI (906.731, 906.733, 906.735) (OM 651.955)	Diesel	RWD	2143	95	129	08.11-12.16	■	

# LISTA DE APLICACIONES - BUYERS GUIDE

313 CDI 4x4 (906.731, 906.733, 906.735) (OM 651.955)		Diesel	4WD	2143	95	129	08.11-12.16	■
314 CDI (906.731, 906.733, 906.735) (OM 651.955)		Diesel	RWD	2143	105	143	05.16-12.18	■
314 CDI 4x4 (906.731, 906.733, 906.735) (OM 651.955)		Diesel	4WD	2143	105	143	05.16-12.18	■
315 CDI (906.733) (OM 651.957)		Diesel	RWD	2143	110	150	06.13-09.20	■
316 CDI 4x4 (906.731, 906.733, 906.735) (OM 651.955)		Diesel	4WD	2143	120	163	08.11-12.18	■
316 CDI 4x4 (906.731, 906.733, 906.735) (OM 651.957)		Diesel	4WD	2143	120	163	08.11-12.18	■
309 CDI (906.731, 906.733, 906.735)		Diesel	RWD	2148	65	88	04.12-12.19	■
311 CDI (906.731, 906.733, 906.735) (OM 646.985)		Diesel	RWD	2148	80	109	06.06-12.09	■
311 CDI 4x4 (906.731, 906.733, 906.735) (OM 646.985)		Diesel	4WD	2148	80	109	02.08-12.09	■
315 CDI (906.731, 906.733, 906.735) (OM 646.986)		Diesel	RWD	2148	110	150	06.06-12.09	■
315 CDI (906.731, 906.733, 906.735) (OM 646.989)		Diesel	RWD	2148	110	150	06.06-12.09	■
315 CDI (906.731, 906.733, 906.735) (OM 646.990)		Diesel	RWD	2148	110	150	06.06-12.09	■
315 CDI 4x4 (906.731, 906.733, 906.735) (OM 646.986)		Diesel	4WD	2148	110	150	02.08-12.09	■
315 CDI 4x4 (906.731, 906.733, 906.735) (OM 646.989)		Diesel	4WD	2148	110	150	02.08-12.09	■
315 CDI 4x4 (906.731, 906.733, 906.735) (OM 646.990)		Diesel	4WD	2148	110	150	02.08-12.09	■
318 CDI (906.731, 906.733, 906.735) (OM 642.896)		Diesel	RWD	2987	135	184	02.08-12.09	■
318 CDI (906.731, 906.733, 906.735) (OM 642.986)		Diesel	RWD	2987	135	184	02.08-12.09	■
318 CDI (906.731, 906.733, 906.735) (OM 642.992)		Diesel	RWD	2987	135	184	02.08-12.09	■
318 CDI (906.731, 906.733, 906.735) (OM 642.993)		Diesel	RWD	2987	135	184	02.08-12.09	■
318 CDI 4x4 (906.731, 906.733, 906.735) (OM 642.896)		Diesel	4WD	2987	135	184	02.08-12.09	■
318 CDI 4x4 (906.731, 906.733, 906.735) (OM 642.986)		Diesel	4WD	2987	135	184	02.08-12.09	■
318 CDI 4x4 (906.731, 906.733, 906.735) (OM 642.992)		Diesel	4WD	2987	135	184	02.08-12.09	■
318 CDI 4x4 (906.731, 906.733, 906.735) (OM 642.993)		Diesel	4WD	2987	135	184	02.08-12.09	■
319 CDI / BlueTEC (906.731, 906.733, 906.735) (OM 642.896)	08/11-	Diesel	RWD	2987	140	190	03.09-12.18	■
319 CDI / BlueTEC (906.731, 906.733, 906.735) (OM 642.898)	08/11-	Diesel	RWD	2987	140	190	03.09-12.18	■
319 CDI / BlueTEC (906.731, 906.733, 906.735) (OM 642.986)	08/11-	Diesel	RWD	2987	140	190	03.09-12.18	■
319 CDI / BlueTEC (906.731, 906.733, 906.735) (OM 642.992)	08/11-	Diesel	RWD	2987	140	190	03.09-12.18	■
319 CDI / BlueTEC 4x4 (906.731, 906.733, 906.735) (OM 642.896)		Diesel	4WD	2987	140	190	03.09-12.18	■
319 CDI / BlueTEC 4x4 (906.731, 906.733, 906.735) (OM 642.898)		Diesel	4WD	2987	140	190	03.09-12.18	■
319 CDI / BlueTEC 4x4 (906.731, 906.733, 906.735) (OM 642.986)		Diesel	4WD	2987	140	190	03.09-12.18	■
319 CDI / BlueTEC 4x4 (906.731, 906.733, 906.735) (OM 642.992)		Diesel	4WD	2987	140	190	03.09-12.18	■
<b>SPRINTER II 3.5-Ton. (B906) 06.06-</b>				<b>Platform/Chassis (LCVs-N1 Segment)</b>				
316 (906.133, 906.135, 906.233, 906.235) (M 271.951)		Gasolina	RWD	1796	115	156	09.08-12.18	■
324 (906.133, 906.135, 906.233, 906.235, 906.132,...) (M 272.979)		Gasolina	RWD	3498	190	258	06.06-12.16	■
316 NGT (906.133, 906.135, 906.233, 906.235) (M 271.951)		Gasol./Gas (CNG)	RWD	1796	115	156	09.08-12.18	■

## LISTA DE APLICACIONES - BUYERS GUIDE

310 CDI (906.131, 906.133, 906.135, 906.231, 906.233,... (OM 651.955))	Diesel	RWD	2143	70	95	03.09-12.16	■
311 CDI (906.131, 906.133, 906.135, 906.231, 906.233,... (OM 651.955))	Diesel	RWD	2143	84	114	05.16-12.18	■
313 CDI (906.131, 906.133, 906.135, 906.231, 906.233,... (OM 651.955))	Diesel	RWD	2143	95	129	06.06-12.16	■
313 CDI (906.131, 906.133, 906.135, 906.231, 906.233,... (OM 651.956))	Diesel	RWD	2143	95	129	06.06-12.16	■
313 CDI 4x4 (906.131, 906.133, 906.135, 906.231, 906.233... (OM 651.955))	Diesel	4WD	2143	95	129	06.06-12.16	■
314 CDI (906.131, 906.133, 906.135, 906.231, 906.233,... (OM 651.955))	Diesel	RWD	2143	105	143	04.16-12.18	■
314 CDI 4x4 (906.131, 906.133, 906.135, 906.231, 906.233... (OM 651.955))	Diesel	4WD	2143	105	143	05.16-12.18	■
316 CDI (906.131, 906.133, 906.135, 906.231, 906.233,... (OM 651.955))	Diesel	RWD	2143	120	163	03.09-12.18	■
316 CDI (906.131, 906.133, 906.135, 906.231, 906.233,... (OM 651.957))	Diesel	RWD	2143	120	163	03.09-12.18	■
316 CDI 4x4 (906.131, 906.133, 906.135, 906.231, 906.233... (OM 651.955))	Diesel	4WD	2143	120	163	03.09-12.18	■
316 CDI 4x4 (906.131, 906.133, 906.135, 906.231, 906.233... (OM 651.957))	Diesel	4WD	2143	120	163	03.09-12.18	■
309 CDI (906.131, 906.133, 906.135, 906.231, 906.233,... (OM 646.984))	Diesel	RWD	2148	65	88	06.06-12.09	■
311 CDI (906.131, 906.133, 906.135, 906.231, 906.233,... (OM 646.985))	Diesel	RWD	2148	80	109	06.06-12.09	■
311 CDI 4x4 (906.131, 906.133, 906.135, 906.231, 906.233... (OM 646.985))	Diesel	4WD	2148	80	109	02.08-12.09	■
313 CDI (906.131, 906.133, 906.135, 906.231, 906.233,... (OM 646.986))	Diesel	RWD	2148	95	129	06.06-05.16	■
315 CDI (906.131, 906.133, 906.135, 906.231, 906.233,... (OM 646.986))	Diesel	RWD	2148	110	150	06.06-12.09	■
315 CDI (906.131, 906.133, 906.135, 906.231, 906.233,... (OM 646.989))	Diesel	RWD	2148	110	150	06.06-12.09	■
315 CDI (906.131, 906.133, 906.135, 906.231, 906.233,... (OM 646.990))	Diesel	RWD	2148	110	150	06.06-12.09	■
315 CDI 4x4 (906.131, 906.133, 906.135, 906.231, 906.233... (OM 646.986))	Diesel	4WD	2148	110	150	02.08-12.09	■
315 CDI 4x4 (906.131, 906.133, 906.135, 906.231, 906.233... (OM 646.989))	Diesel	4WD	2148	110	150	02.08-12.09	■
315 CDI 4x4 (906.131, 906.133, 906.135, 906.231, 906.233... (OM 646.990))	Diesel	4WD	2148	110	150	02.08-12.09	■
318 CDI (906.131, 906.133, 906.135, 906.231, 906.233,... (OM 642.896))	Diesel	RWD	2987	135	184	06.06-12.09	■
318 CDI (906.131, 906.133, 906.135, 906.231, 906.233,... (OM 642.992))	Diesel	RWD	2987	135	184	06.06-12.09	■
318 CDI (906.131, 906.133, 906.135, 906.231, 906.233,... (OM 642.993))	Diesel	RWD	2987	135	184	06.06-12.09	■
318 CDI 4x4 (906.131, 906.133, 906.135, 906.231, 906.233... (OM 642.896))	Diesel	4WD	2987	135	184	02.08-12.09	■
318 CDI 4x4 (906.131, 906.133, 906.135, 906.231, 906.233... (OM 642.992))	Diesel	4WD	2987	135	184	02.08-12.09	■
318 CDI 4x4 (906.131, 906.133, 906.135, 906.231, 906.233... (OM 642.993))	Diesel	4WD	2987	135	184	02.08-12.09	■
319 CDI / BlueTEC (906.131, 906.133, 906.135, 906.231,... (OM 642.896))	Diesel	RWD	2987	140	190	03.09-12.18	■
319 CDI / BlueTEC (906.131, 906.133, 906.135, 906.231,... (OM 642.898))	Diesel	RWD	2987	140	190	03.09-12.18	■
319 CDI / BlueTEC (906.131, 906.133, 906.135, 906.231,... (OM 642.992))	Diesel	RWD	2987	140	190	03.09-12.18	■
319 CDI / BlueTEC 4x4 (906.731, 906.733, 906.735) (OM 642.896))	Diesel	4WD	2987	140	190	03.09-12.18	■
319 CDI / BlueTEC 4x4 (906.731, 906.733, 906.735) (OM 642.898))	Diesel	4WD	2987	140	190	03.09-12.18	■
319 CDI / BlueTEC 4x4 (906.731, 906.733, 906.735) (OM 642.992))	Diesel	4WD	2987	140	190	03.09-12.18	■
<b>SPRINTER II 3.5-Ton. (B906) 06.06-</b>							<b>Van (LCVs-N1 Segment)</b>
316 (906.635, 906.633) (M 271.951)	Gasolina	RWD	1796	115	156	09.08-12.18	■
316 NGT	Gasolina	FWD	1796	115	156	09.08-	■

# LISTA DE APLICACIONES - BUYERS GUIDE

324 (906.633, 906.635, 906.637) (M 272.979)	Gasolina	RWD	3498	190	258	06.06-12.16	■
310 CDI (906.631, 906.633, 906.635, 906.637) (OM 651.955)	Diesel	RWD	2143	70	95	03.09-12.16	■
311 CDI (906.631, 906.633, 906.635, 906.637) (OM 651.955)	Diesel	RWD	2143	84	114	05.16-12.18	■
313 CDI (906.631, 906.633, 906.635, 906.637) (OM 651.940)	Diesel	RWD	2143	95	129	05.09-12.16	■
313 CDI (906.631, 906.633, 906.635, 906.637) (OM 651.955)	Diesel	RWD	2143	95	129	05.09-12.16	■
313 CDI 4x4 (906.631, 906.633, 906.635, 906.637) (OM 651.955)	Diesel	4WD	2143	95	129	03.09-12.16	■
314 CDI (906.631, 906.633, 906.635, 906.637) (OM 651.955)	Diesel	RWD	2143	105	143	05.16-12.18	■
314 CDI 4x4 (906.631, 906.633, 906.635, 906.637) (OM 651.955)	Diesel	4WD	2143	105	143	05.16-12.18	■
315 CDI (906.633, 906.637) (OM 651.955)	Diesel	RWD	2143	110	150	12.14-09.20	■
316 CDI (906.631, 906.633, 906.635, 906.637) (OM 651.955)	Diesel	RWD	2143	120	163	03.09-12.18	■
316 CDI (906.631, 906.633, 906.635, 906.637) (OM 651.957)	Diesel	RWD	2143	120	163	03.09-12.18	■
316 CDI 4x4 (906.631, 906.633, 906.635, 906.637) (OM 651.955)	Diesel	4WD	2143	120	163	03.09-12.18	■
316 CDI 4x4 (906.631, 906.633, 906.635, 906.637) (OM 651.957)	Diesel	4WD	2143	120	163	03.09-12.18	■
309 CDI (906.631, 906.633, 906.635, 906.637) (OM 646.984)	Diesel	RWD	2148	65	88	06.06-12.09	■
311 CDI (906.631, 906.633, 906.635, 906.637) (OM 646.985)	Diesel	RWD	2148	80	109	06.06-12.09	■
311 CDI 4x4 (906.631, 906.633, 906.635, 906.637) (OM 646.985)	Diesel	4WD	2148	80	109	02.08-12.09	■
313 CDI (906.631, 906.633, 906.635, 906.637) (OM 646.986)	Diesel	RWD	2148	95	129	06.06-12.16	■
315 CDI (906.631, 906.633, 906.635, 906.637) (OM 646.986)	Diesel	RWD	2148	110	150	06.06-12.09	■
315 CDI (906.631, 906.633, 906.635, 906.637) (OM 646.989)	Diesel	RWD	2148	110	150	06.06-12.09	■
315 CDI (906.631, 906.633, 906.635, 906.637) (OM 646.990)	Diesel	RWD	2148	110	150	06.06-12.09	■
315 CDI 4x4 (906.631, 906.633, 906.635, 906.637) (OM 646.986)	Diesel	4WD	2148	110	150	02.08-12.09	■
315 CDI 4x4 (906.631, 906.633, 906.635, 906.637) (OM 646.989)	Diesel	4WD	2148	110	150	02.08-12.09	■
315 CDI 4x4 (906.631, 906.633, 906.635, 906.637) (OM 646.990)	Diesel	4WD	2148	110	150	02.08-12.09	■
318 CDI (906.631, 906.633, 906.635, 906.637) (OM 642.896)	Diesel	RWD	2987	135	184	06.06-12.09	■
318 CDI (906.631, 906.633, 906.635, 906.637) (OM 642.986)	Diesel	RWD	2987	135	184	06.06-12.09	■
318 CDI (906.631, 906.633, 906.635, 906.637) (OM 642.992)	Diesel	RWD	2987	135	184	06.06-12.09	■
318 CDI (906.631, 906.633, 906.635, 906.637) (OM 642.993)	Diesel	RWD	2987	135	184	06.06-12.09	■
318 CDI 4x4 (906.631, 906.633, 906.635, 906.637) (OM 642.896)	Diesel	4WD	2987	135	184	02.08-12.09	■
318 CDI 4x4 (906.631, 906.633, 906.635, 906.637) (OM 642.986)	Diesel	4WD	2987	135	184	02.08-12.09	■
318 CDI 4x4 (906.631, 906.633, 906.635, 906.637) (OM 642.992)	Diesel	4WD	2987	135	184	02.08-12.09	■
318 CDI 4x4 (906.631, 906.633, 906.635, 906.637) (OM 642.993)	Diesel	4WD	2987	135	184	02.08-12.09	■
319 CDI / BlueTEC (906.631, 906.633, 906.635, 906.637) (OM 642.896)	Diesel	RWD	2987	140	190	03.09-12.18	■
319 CDI / BlueTEC (906.631, 906.633, 906.635, 906.637) (OM 642.898)	Diesel	RWD	2987	140	190	03.09-12.18	■
319 CDI / BlueTEC (906.631, 906.633, 906.635, 906.637) (OM 642.986)	Diesel	RWD	2987	140	190	03.09-12.18	■
319 CDI / BlueTEC (906.631, 906.633, 906.635, 906.637) (OM 642.992)	Diesel	RWD	2987	140	190	03.09-12.18	■
319 CDI / BlueTEC 4x4 (906.731, 906.733, 906.735) (OM 642.896)	Diesel	4WD	2987	140	190	03.09-12.18	■

# LISTA DE APLICACIONES - BUYERS GUIDE

319 CDI / BlueTEC 4x4 (906.731, 906.733, 906.735) (OM 642.898)	Diesel	4WD	2987	140	190	03.09-12.18	■
319 CDI / BlueTEC 4x4 (906.731, 906.733, 906.735) (OM 642.986)	Diesel	4WD	2987	140	190	03.09-12.18	■
319 CDI / BlueTEC 4x4 (906.731, 906.733, 906.735) (OM 642.992)	Diesel	4WD	2987	140	190	03.09-12.18	■
<b>SPRINTER II 4,6-Ton. (B906) 06.06-</b>						<b>Bus (Minibus-M2-Segment)</b>	
415 CDI (906.653)	Diesel	RWD	2143	110	150	06.06-09.20	■
<b>SPRINTER II 4,6-Ton. (B906) 06.06-</b>						<b>Platform/Chassis (LCVs-N1 Segment)</b>	
411 CDI (906.153, 906.155, 906.253, 906.255) (OM 651.955)	Diesel	RWD	2143	84	114	04.16-12.18	■
413 CDI (906.153, 906.155, 906.253, 906.255) (OM 651.955)	Diesel	RWD	2143	95	129	06.06-12.16	■
415 CDI (906.155)	Diesel	RWD	2143	110	150	01.12-09.20	■
416 CDI (906.153, 906.155, 906.253, 906.255) (OM 651.955)	Diesel	RWD	2143	120	163	03.09-12.18	■
416 CDI (906.153, 906.155, 906.253, 906.255) (OM 651.957)	Diesel	RWD	2143	120	163	03.09-12.18	■
413 CDI (906.153, 906.155, 906.253, 906.255)	Diesel	RWD	2148	95	129	06.06-05.16	■
419 CDI (906.153, 906.155, 906.253, 906.255) (OM 642.896)	Diesel	RWD	2987	140	190	03.09-12.18	■
419 CDI (906.153, 906.155, 906.253, 906.255) (OM 642.898)	Diesel	RWD	2987	140	190	03.09-12.18	■
419 CDI (906.153, 906.155, 906.253, 906.255) (OM 642.986)	Diesel	RWD	2987	140	190	03.09-12.18	■
419 CDI (906.153, 906.155, 906.253, 906.255) (OM 642.992)	Diesel	RWD	2987	140	190	03.09-12.18	■
<b>SPRINTER II 4,6-Ton. (B906) 06.06-</b>						<b>Van (LCVs-N1 Segment)</b>	
411 CDI (906.653, 906.655, 906.657)	Diesel	RWD	2143	84	114	04.16-12.18	■
413 CDI (906.653, 906.655, 906.657) (OM 651.955)	Diesel	RWD	2143	95	129	06.06-12.16	■
413 CDI (906.653, 906.655, 906.657) (OM 651.956)	Diesel	RWD	2143	95	129	06.06-12.16	■
414 CDI 4x4 (906.653, 906.655, 906.657) (OM 651.955)	Diesel	4WD	2143	105	143	05.16-12.18	■
416 CDI 4x4 (906.655, 906.657) (OM 651.955)	Diesel	4WD	2143	120	163	11.13-12.18	■
416 CDI 4x4 (906.655, 906.657) (OM 651.957)	Diesel	4WD	2143	120	163	11.13-12.18	■
<b>SPRINTER II 5-Ton. (B906) 06.06-</b>						<b>Bus (Minibus-M2-Segment)</b>	
513 CDI (906.655, 906.657) (OM 651.955)	Diesel	RWD	2143	95	129	03.09-12.16	■
515 CDI (906.655, 906.657) (OM 651.957)	Diesel	RWD	2143	110	150	06.06-09.20	■
516 CDI (906.655, 906.657) (OM 651.955)	Diesel	RWD	2143	120	163	03.09-12.18	■
519 CDI (906.655, 906.657) (OM 642.896)	Diesel	RWD	2987	140	190	03.09-12.18	■
<b>SPRINTER II 5-Ton. (B906) 06.06-</b>						<b>Platform/Chassis (LCVs-N1 Segment)</b>	
516 (906.153, 906.155, 906.253, 906.255) (M 271.951)	Gasolina	RWD	1796	115	156	09.08-12.18	■
524 (906.153, 906.155, 906.253, 906.255) (M 272.979)	Gasolina	RWD	3498	190	258	06.06-12.16	■
516 NGT (906.153, 906.155, 906.253, 906.255) (M 271.951)	Gasol./Gas (CNG)	RWD	1796	115	156	09.08-12.18	■
510 CDI (906.153, 906.155, 906.253, 906.255) (OM 651.955)	Diesel	RWD	2143	70	95	03.09-12.16	■
511 CDI (906.153, 906.155, 906.253, 906.255) (OM 651.955)	Diesel	RWD	2143	84	114	05.16-12.18	■
513 CDI (906.155, 906.253, 906.255, 906.153) (OM 651.955)	Diesel	RWD	2143	95	129	06.06-12.16	■
513 CDI (906.155, 906.253, 906.255, 906.153) (OM 651.957)	Diesel	RWD	2143	95	129	06.06-12.16	■
513 CDI 4x4 (906.155, 906.253, 906.255, 906.153) (OM 651.955)	Diesel	4WD	2143	95	129	05.11-12.16	■
513 CDI 4x4 (906.155, 906.253, 906.255, 906.153) (OM 651.957)	Diesel	4WD	2143	95	129	05.11-12.16	■

## LISTA DE APLICACIONES - BUYERS GUIDE

514 CDI (906.153, 906.155, 906.253, 906.255) (OM 651.955)	Diesel	RWD	2143	105	143	05.16-12.18	■
514 CDI 4x4 (906.153, 906.155, 906.253, 906.255) (OM 651.955)	Diesel	4WD	2143	105	143	05.16-12.18	■
515 CDI (906.155)	Diesel	RWD	2143	110	150	06.11-09.20	■
516 CDI (906.153, 906.155, 906.253, 906.255) (OM 651.955)	Diesel	RWD	2143	120	163	03.09-12.18	■
516 CDI (906.153, 906.155, 906.253, 906.255) (OM 651.957)	Diesel	RWD	2143	120	163	03.09-12.18	■
516 CDI 4x4 (906.153, 906.155, 906.255, 906.253) (OM 651.955)	Diesel	4WD	2143	120	163	03.09-12.18	■
516 CDI 4x4 (906.153, 906.155, 906.255, 906.253) (OM 651.957)	Diesel	4WD	2143	120	163	03.09-12.18	■
509 CDI (906.153, 906.155, 906.253, 906.255) (OM 646.984)	Diesel	RWD	2148	65	88	06.06-12.09	■
511 CDI (906.153, 906.155, 906.253, 906.255) (OM 646.985)	Diesel	RWD	2148	80	109	06.06-12.09	■
511 CDI 4x4 (906.155, 906.253, 906.255) (OM 646.985)	Diesel	4WD	2148	80	109	06.06-12.09	■
513 CDI (906.155, 906.253, 906.255, 906.153) (OM 646.986)	Diesel	RWD	2148	95	129	03.09-05.16	■
515 CDI (906.153, 906.155, 906.253, 906.255) (OM 646.986)	Diesel	RWD	2148	110	150	06.06-12.19	■
515 CDI (906.153, 906.155, 906.253, 906.255) (OM 646.989)	Diesel	RWD	2148	110	150	06.06-12.19	■
515 CDI (906.153, 906.155, 906.253, 906.255) (OM 646.990)	Diesel	RWD	2148	110	150	06.06-12.19	■
515 CDI 4x4 (906.153, 906.155, 906.253, 906.255) (OM 646.986)	Diesel	4WD	2148	110	150	06.06-12.09	■
515 CDI 4x4 (906.153, 906.155, 906.253, 906.255) (OM 646.989)	Diesel	4WD	2148	110	150	06.06-12.09	■
515 CDI 4x4 (906.153, 906.155, 906.253, 906.255) (OM 646.990)	Diesel	4WD	2148	110	150	06.06-12.09	■
518 CDI (906.153, 906.155, 906.253, 906.255) (OM 642.896)	Diesel	RWD	2987	135	184	06.06-12.09	■
518 CDI (906.153, 906.155, 906.253, 906.255) (OM 642.986)	Diesel	RWD	2987	135	184	06.06-12.09	■
518 CDI (906.153, 906.155, 906.253, 906.255) (OM 642.992)	Diesel	RWD	2987	135	184	06.06-12.09	■
518 CDI (906.153, 906.155, 906.253, 906.255) (OM 642.993)	Diesel	RWD	2987	135	184	06.06-12.09	■
518 CDI 4x4 (906.153, 906.155, 906.253, 906.255) (OM 642.896)	Diesel	4WD	2987	135	184	06.06-12.09	■
518 CDI 4x4 (906.153, 906.155, 906.253, 906.255) (OM 642.986)	Diesel	4WD	2987	135	184	06.06-12.09	■
518 CDI 4x4 (906.153, 906.155, 906.253, 906.255) (OM 642.992)	Diesel	4WD	2987	135	184	06.06-12.09	■
518 CDI 4x4 (906.153, 906.155, 906.253, 906.255) (OM 642.993)	Diesel	4WD	2987	135	184	06.06-12.09	■
519 CDI / BlueTEC (906.153, 906.155, 906.253, 906.255) (OM 642.896)	Diesel	RWD	2987	140	190	03.09-12.18	■
519 CDI / BlueTEC (906.153, 906.155, 906.253, 906.255) (OM 642.898)	Diesel	RWD	2987	140	190	03.09-12.18	■
519 CDI / BlueTEC (906.153, 906.155, 906.253, 906.255) (OM 642.986)	Diesel	RWD	2987	140	190	03.09-12.18	■
519 CDI / BlueTEC (906.153, 906.155, 906.253, 906.255) (OM 642.992)	Diesel	RWD	2987	140	190	03.09-12.18	■
519 CDI / BlueTEC 4x4 (906.653, 906.655, 906.657) (OM 642.896)	Diesel	4WD	2987	140	190	03.09-12.18	■
519 CDI / BlueTEC 4x4 (906.653, 906.655, 906.657) (OM 642.898)	Diesel	4WD	2987	140	190	03.09-12.18	■
519 CDI / BlueTEC 4x4 (906.653, 906.655, 906.657) (OM 642.986)	Diesel	4WD	2987	140	190	03.09-12.18	■
519 CDI / BlueTEC 4x4 (906.653, 906.655, 906.657) (OM 642.992)	Diesel	4WD	2987	140	190	03.09-12.18	■
<b>SPRINTER II 5-Ton. (B906) 06.06-</b>				<b>Van (LCVs-N1 Segment)</b>			
516 (906.655) (M 271.951)	Gasolina	RWD	1796	115	156	03.09-12.18	■
524 (906.653, 906.655, 906.657) (M 272.979)	Gasolina	RWD	3498	190	258	06.06-12.16	■

# LISTA DE APLICACIONES - BUYERS GUIDE

516 NGT (906.655)	Gasol./Gas (CNG)	RWD	1796	115	156	03.09-12.18	■
511 CDI (906.653, 906.655, 906.657) (OM 651.955)	Diesel	RWD	2143	84	114	05.16-12.18	■
513 CDI (906.653, 906.655, 906.657) (OM 651.955)	Diesel	RWD	2143	95	129	06.06-12.16	■
513 CDI (906.653, 906.655, 906.657) (OM 651.957)	Diesel	RWD	2143	95	129	06.06-12.16	■
513 CDI 4x4 (906.653, 906.655, 906.657) (OM 651.955)	Diesel	4WD	2143	95	129	03.09-12.16	■
513 CDI 4x4 (906.653, 906.655, 906.657) (OM 651.957)	Diesel	4WD	2143	95	129	03.09-12.16	■
514 CDI (906.653, 906.655, 906.657) (OM 651.955)	Diesel	RWD	2143	105	143	05.16-12.18	■
514 CDI 4x4 (906.653, 906.655, 906.657) (OM 651.955)	Diesel	4WD	2143	105	143	05.16-12.18	■
515 CDI (906.655, 906.657)	Diesel	RWD	2143	110	150	06.11-09.20	■
516 CDI 4x4 (906.653, 906.655, 906.657) (OM 651.955)	Diesel	4WD	2143	120	163	03.09-12.18	■
516 CDI 4x4 (906.653, 906.655, 906.657) (OM 651.957)	Diesel	4WD	2143	120	163	03.09-12.18	■
509 CDI (906.653, 906.655, 906.657) (OM 646.984)	Diesel	RWD	2148	65	88	06.06-12.09	■
511 CDI (906.653, 906.655, 906.657) (OM 646.985)	Diesel	RWD	2148	80	109	06.06-12.09	■
511 CDI 4x4 (906.653, 906.655, 906.657) (OM 646.985)	Diesel	4WD	2148	80	109	06.06-12.09	■
515 CDI (906.653, 906.655, 906.657) (OM 646.986)	Diesel	RWD	2148	110	150	06.06-12.09	■
515 CDI (906.653, 906.655, 906.657) (OM 646.989)	Diesel	RWD	2148	110	150	06.06-12.09	■
515 CDI (906.653, 906.655, 906.657) (OM 646.990)	Diesel	RWD	2148	110	150	06.06-12.09	■
515 CDI 4x4 (906.653, 906.655, 906.657) (OM 646.986)	Diesel	4WD	2148	110	150	06.06-12.09	■
515 CDI 4x4 (906.653, 906.655, 906.657) (OM 646.989)	Diesel	4WD	2148	110	150	06.06-12.09	■
515 CDI 4x4 (906.653, 906.655, 906.657) (OM 646.990)	Diesel	4WD	2148	110	150	06.06-12.09	■
518 CDI (906.653, 906.655, 906.657) (OM 642.896)	Diesel	RWD	2987	135	184	06.06-12.09	■
518 CDI (906.653, 906.655, 906.657) (OM 642.986)	Diesel	RWD	2987	135	184	06.06-12.09	■
518 CDI (906.653, 906.655, 906.657) (OM 642.992)	Diesel	RWD	2987	135	184	06.06-12.09	■
518 CDI (906.653, 906.655, 906.657) (OM 642.993)	Diesel	RWD	2987	135	184	06.06-12.09	■
518 CDI 4x4 (906.653, 906.655, 906.657) (OM 642.896)	Diesel	4WD	2987	135	184	06.06-12.16	■
518 CDI 4x4 (906.653, 906.655, 906.657) (OM 642.986)	Diesel	4WD	2987	135	184	06.06-12.16	■
518 CDI 4x4 (906.653, 906.655, 906.657) (OM 642.992)	Diesel	4WD	2987	135	184	06.06-12.16	■
518 CDI 4x4 (906.653, 906.655, 906.657) (OM 642.993)	Diesel	4WD	2987	135	184	06.06-12.16	■
519 CDI / BlueTEC 4x4 (906.653, 906.655, 906.657) (OM 642.896)	Diesel	4WD	2987	140	190	03.09-12.18	■
519 CDI / BlueTEC 4x4 (906.653, 906.655, 906.657) (OM 642.898)	Diesel	4WD	2987	140	190	03.09-12.18	■
519 CDI / BlueTEC 4x4 (906.653, 906.655, 906.657) (OM 642.986)	Diesel	4WD	2987	140	190	03.09-12.18	■
519 CDI / BlueTEC 4x4 (906.653, 906.655, 906.657) (OM 642.992)	Diesel	4WD	2987	140	190	03.09-12.18	■
<b>SPRINTER III 3-Ton. Tourer (B907) 02.18-</b>				<b>Bus (Minibus-M2-Segment)</b>			
211 CDI (907.721, 907.723)	Diesel	RWD	2143	84	114	02.18-12.21	■
214 CDi (907.721, 907.723)	Diesel	RWD	2143	105	143	02.18-12.21	■
216 CDi (907.721, 907.723)	Diesel	RWD	2143	120	163	02.18-12.21	■

# LISTA DE APLICACIONES - BUYERS GUIDE

<b>SPRINTER III 3,5-Ton. (B907, B910) 02.18-</b>					<b>Platform/Chassis (LCVs-N1 Segment)</b>			
311 CDI RWD (907.131, 907.133, 907.135, 907.231, 907.233... (OM 654.920)	Diesel	RWD	1950	84	114	06.20-	■	
315 CDI (910.030)	Diesel	FWD	1950	110	150	06.20-	■	
315 CDI (910.131, 910.133)	Diesel	FWD	1950	110	150	10.21-	■	
315 CDI RWD (907.131, 907.133, 907.135, 907.231, 907.233... (OM 654.920)	Diesel	RWD	1950	110	150	06.20-	■	
317 CDI (910.030)	Diesel	FWD	1950	125	170	06.20-	■	
317 CDI RWD (907.131, 907.133, 907.135, 907.231, 907.233... (OM 654.920)	Diesel	RWD	1950	125	170	06.20-	■	
311 CDI (910.131, 910.133) (OM 651.950)	Diesel	FWD	2143	84	114	02.18-12.21	■	
311 CDI (910.131, 910.133) (OM 651.958)	Diesel	FWD	2143	84	114	02.18-12.21	■	
311 CDI RWD (907.131, 907.133, 907.135, 907.231, 907.233... (OM 651.958)	Diesel	RWD	2143	84	114	02.18-12.21	■	
314 CDI (910.131, 910.133, 910.030) (OM 651.950)	Diesel	FWD	2143	105	143	02.18-12.21	■	
314 CDI (910.131, 910.133, 910.030) (OM 651.958)	Diesel	FWD	2143	105	143	02.18-12.21	■	
314 CDI A las 4 ruedas (907.733) (OM 651.958)	Diesel	4WD	2143	105	143	01.19-12.21	■	
314 CDI RWD (907.131,907.133,907.135) (OM 651.958)	Diesel	RWD	2143	105	143	02.18-12.21	■	
316 CDI A las 4 ruedas (907.733) (OM 651.958)	Diesel	4WD	2143	120	163	01.19-12.21	■	
316 CDI RWD (907.131, 907.133, 907.135, 907.231, 907.233... (OM 651.958)	Diesel	RWD	2143	120	163	02.18-12.21	■	
317 CDI (910.030)	Diesel	FWD	2143	125	170	02.18-12.21	■	
318 CDI (910.030)	Diesel	FWD	2143	130	177	02.18-12.21	■	
319 CDI A las 4 ruedas (907.733) (OM 642.899)	Diesel	4WD	2987	140	190	01.19-12.21	■	
319 CDI RWD (907.133, 907.135, 907.233, 907.235) (OM 642.899)	Diesel	RWD	2987	140	190	02.18-12.21	■	
<b>SPRINTER III 3,5-Ton. (B907, B910) 02.18-</b>					<b>Van (LCVs-N1 Segment)</b>			
311 CDI RWD (907.631, 907.633, 907.635, 907.637) (OM 654.920)	Diesel	RWD	1950	84	114	06.20-	■	
315 CDI RWD (907.631, 907.633, 907.635, 907.637) (OM 654.920)	Diesel	RWD	1950	110	150	06.20-	■	
317 CDI (910.633)	Diesel	FWD	1950	125	170	03.22-05.25	■	
317 CDI RWD (907.631, 907.633, 907.635, 907.637) (OM 654.920)	Diesel	RWD	1950	125	170	06.20-	■	
311 CDI (910.631, 910.633) (OM 651.950)	Diesel	FWD	2143	84	114	02.18-12.21	■	
311 CDI (910.631, 910.633) (OM 651.958)	Diesel	FWD	2143	84	114	02.18-12.21	■	
311 CDI RWD (907.633, 907.635, 907.631, 907.637) (OM 651.958)	Diesel	RWD	2143	84	114	02.18-12.21	■	
314 CDI (910.631, 910.633) (OM 651.950)	Diesel	FWD	2143	105	143	02.18-12.21	■	
314 CDI (910.631, 910.633) (OM 651.958)	Diesel	FWD	2143	105	143	02.18-12.21	■	
314 CDI A las 4 ruedas (907.733) (OM 651.958)	Diesel	4WD	2143	105	143	01.19-12.21	■	
314 CDI RWD (907.631, 907.633, 907.635, 907.637) (OM 651.958)	Diesel	RWD	2143	105	143	02.18-12.21	■	
316 CDI A las 4 ruedas (907.733) (OM 651.958)	Diesel	4WD	2143	120	163	01.19-12.21	■	
316 CDI RWD (907.631, 907.633, 907.635, 907.637) (OM 651.958)	Diesel	RWD	2143	120	163	02.18-12.21	■	
319 CDI A las 4 ruedas (907.733) (OM 642.899)	Diesel	4WD	2987	140	190	01.19-12.21	■	
319 CDI RWD (907.633, 907.635, 907.637) (OM 642.899)	Diesel	RWD	2987	140	190	02.18-12.21	■	
<b>SPRINTER III 3,5-Ton. Tourer (B907) 02.18-</b>					<b>Bus (Minibus-M2-Segment)</b>			
311 CDI (907.731, 907.733, 907.735) (OM 651.958)	Diesel	RWD	2143	84	114	02.18-12.21	■	
314 CDI (907.731, 907.733, 907.735) (OM 651.958)	Diesel	RWD	2143	105	143	02.18-12.21	■	

# LISTA DE APLICACIONES - BUYERS GUIDE

314 CDI A las 4 ruedas (907.733) (OM 651.958)	Diesel	4WD	2143	105	143	01.19-12.21	■
316 CDI (907.731, 907.733, 907.735) (OM 651.958)	Diesel	RWD	2143	120	163	02.18-12.21	■
316 CDI A las 4 ruedas (907.733) (OM 651.958)	Diesel	4WD	2143	120	163	01.19-12.21	■
319 CDI (907.733, 907.735) (OM 642.899)	Diesel	RWD	2987	140	190	02.18-12.21	■
319 CDI A las 4 ruedas (907.733) (OM 642.899)	Diesel	4WD	2987	140	190	01.19-12.21	■
<b>SPRINTER III 4-Ton. (B907, B910) 02.18-</b>						<b>Platform/Chassis (LCVs-N1 Segment)</b>	
411 CDI RWD (907.141, 907.143, 907.145, 907.241, 907.243...)	Diesel	RWD	1950	84	114	10.21-	■
415 CDI (910.040)	Diesel	FWD	1950	110	150	06.20-	■
415 CDI (910.141, 910.143)	Diesel	FWD	1950	110	150	10.21-	■
415 CDI RWD (907.141, 907.143, 907.145, 907.241, 907.243...)	Diesel	RWD	1950	110	150	10.21-	■
417 CDI (910.040)	Diesel	FWD	1950	125	170	06.20-	■
417 CDI RWD (907.141, 907.143, 907.145, 907.241, 907.243...)	Diesel	RWD	1950	125	170	10.21-	■
419 CDI A las 4 ruedas (907.643, 907.645, 907.647)	Diesel	4WD	1950	140	190	10.21-	■
419 CDI RWD (907.143, 907.145, 907.243, 907.245)	Diesel	RWD	1950	140	190	10.21-	■
417 CDI (910.040)	Diesel	FWD	2143	125	170	02.18-12.21	■
418 CDI (910.040)	Diesel	FWD	2143	130	177	02.18-12.21	■
<b>SPRINTER III 4-Ton. (B907, B910) 02.18-</b>						<b>Van (LCVs-N1 Segment)</b>	
411 CDI RWD (907.641, 907.643, 907.645, 907.647)	Diesel	RWD	1950	84	114	10.21-	■
415 CDI (910.641, 910.643)	Diesel	FWD	1950	110	150	10.21-05.25	■
415 CDI RWD (907.641, 907.643, 907.645, 907.647)	Diesel	RWD	1950	110	150	10.21-	■
419 CDI A las 4 ruedas (907.643, 907.645, 907.647)	Diesel	4WD	1950	140	190	10.21-	■
419 CDI RWD (907.643, 907.645, 907.647)	Diesel	RWD	1950	140	190	10.21-	■
<b>SPRINTER III 4-Ton. Tourer (B907) 02.18-</b>						<b>Bus (Minibus-M2-Segment)</b>	
417 CDI (907.743, 907.745, 907.843, 907.741) (OM 654.920)	Diesel	RWD	1950	125	170	01.22-	■
414 CDI (907.741, 907.743, 907.745)	Diesel	RWD	2143	105	143	09.19-12.21	■
416 CDI (907.843, 907.743, 907.745)	Diesel	RWD	2143	120	163	04.19-12.21	■
<b>SPRINTER III 5-Ton. (B907) 02.18-</b>						<b>Platform/Chassis (LCVs-N1 Segment)</b>	
515 CDI RWD (907.153, 907.155, 907.253, 907.255)	Diesel	RWD	1950	110	150	10.21-	■
517 CDI RWD (907.153, 907.155, 907.253, 907.255)	Diesel	RWD	1950	125	170	01.22-	■
519 CDI A las 4 ruedas (907.653, 907.655, 907.657)	Diesel	4WD	1950	140	190	10.21-	■
519 CDI RWD (907.153, 907.155, 907.253, 907.255)	Diesel	RWD	1950	140	190	10.21-	■
511 CDI (907.153, 907.155, 907.253, 907.255) (OM 651.958)	Diesel	RWD	2143	84	114	02.18-12.21	■
514 CDI (907.153, 907.155, 907.253, 907.255) (OM 651.958)	Diesel	RWD	2143	105	143	02.18-12.21	■
516 CDI (907.153, 907.155, 907.253, 907.255) (OM 651.958)	Diesel	RWD	2143	120	163	02.18-12.21	■
516 CDI A las 4 ruedas (907.653, 907.655, 907.657) (OM 651.958)	Diesel	4WD	2143	120	163	01.19-12.21	■
519 CDI (907.153, 907.155, 907.253, 907.255) (OM 642.899)	Diesel	RWD	2987	140	190	02.18-12.21	■
519 CDI A las 4 ruedas (907.653, 907.655, 907.657) (OM 642.899)	Diesel	4WD	2987	140	190	01.19-12.21	■
<b>SPRINTER III 5-Ton. (B907) 02.18-</b>						<b>Van (LCVs-N1 Segment)</b>	
515 CDI (907.653, 907.655, 907.657)	Diesel	RWD	1950	110	150	10.21-	■

# LISTA DE APLICACIONES - BUYERS GUIDE

517 CDI (907.653, 907.655, 907.657)		Diesel	RWD	1950	125	170	06.20-	■	
519 CDI (907.653, 907.655, 907.657)		Diesel	RWD	1950	140	190	10.21-	■	
519 CDI A las 4 ruedas (907.653, 907.655, 907.657)		Diesel	4WD	1950	140	190	10.21-	■	
511 CDI (907.653, 907.655, 907.657) (OM 651.958)		Diesel	RWD	2143	84	114	02.18-12.21	■	
514 CDI (907.653, 907.655, 907.657) (OM 651.958)		Diesel	RWD	2143	105	143	02.18-12.21	■	
516 CDI (907.653, 907.655, 907.657) (OM 651.958)		Diesel	RWD	2143	120	163	02.18-12.21	■	
516 CDI A las 4 ruedas (907.653, 907.655, 907.657) (OM 651.958)		Diesel	4WD	2143	120	163	01.19-12.21	■	
519 CDI (907.653, 907.655, 907.657) (OM 642.899)		Diesel	RWD	2987	140	190	02.18-12.21	■	
519 CDI A las 4 ruedas (907.653, 907.655, 907.657) (OM 642.899)		Diesel	4WD	2987	140	190	01.19-12.21	■	
<b>SPRINTER III 5-Ton. Tourer (B907) 09.19-</b>							<b>Bus (Minibus-M2-Segment)</b>		
516 CDI (907.855, 907.857)		Diesel	RWD	2143	120	163	09.19-12.23	■	
<b>VW</b>									
<b>CRAFTER 30-35 (2E_) 04.06-12.16</b>							<b>Bus (Minibus-M2-Segment)</b>		
2.0 TDI (CKTB)	PR 0WC, PR 0WL	Diesel	RWD	1968	80	109	05.11-12.16	■	
2.0 TDI (CSLA)	PR 0WC, PR 0WL	Diesel	RWD	1968	80	109	05.11-12.16	■	
2.0 TDI (CKTC)	PR 0WC, PR 0WL	Diesel	RWD	1968	100	136	05.11-12.16	■	
2.0 TDI (CKUC)	PR 0WC, PR 0WL	Diesel	RWD	1968	105	142	10.11-12.16	■	
2.0 TDI (CKUB)	PR 0WC, PR 0WL	Diesel	RWD	1968	120	163	07.11-12.16	■	
2.0 TDI (CSNA)	PR 0WC, PR 0WL	Diesel	RWD	1968	120	163	07.11-12.16	■	
2.0 TDI 4motion (CKUB)	PR 0WC, PR 0WL	Diesel	4WD	1968	120	163	11.11-12.16	■	
2.0 TDI 4motion (CSNA)	PR 0WC, PR 0WL	Diesel	4WD	1968	120	163	11.11-12.16	■	
2.5 TDI (BJJ)	PR 0WC, PR 0WL	Diesel	RWD	2461	65	88	04.06-07.11	■	
2.5 TDI (CEBA)	PR 0WC, PR 0WL	Diesel	RWD	2461	65	88	04.06-07.11	■	
2.5 TDI (BJK)	PR 0WC, PR 0WL	Diesel	RWD	2461	80	109	04.06-05.13	■	
2.5 TDI (CEBB)	PR 0WC, PR 0WL	Diesel	RWD	2461	80	109	04.06-05.13	■	
2.5 TDI (BJL)	PR 0WC, PR 0WL	Diesel	RWD	2461	100	136	04.06-05.13	■	
2.5 TDI (CECA)	PR 0WC, PR 0WL	Diesel	RWD	2461	100	136	04.06-05.13	■	
2.5 TDI (BJM)	PR 0WC, PR 0WL	Diesel	RWD	2461	120	163	04.06-07.11	■	
2.5 TDI (CECB)	PR 0WC, PR 0WL	Diesel	RWD	2461	120	163	04.06-07.11	■	
<b>CRAFTER 30-50 (2F_) 04.06-12.16</b>							<b>Platform/Chassis (LCVs-N1 Segment)</b>		
2.0 TDI (CKTB)	PR 0WC, PR 0WL	Diesel	RWD	1968	80	109	05.11-12.16	■	
2.0 TDI (CSLA)	PR 0WC, PR 0WL	Diesel	RWD	1968	80	109	05.11-12.16	■	
2.0 TDI (CKTC)	PR 0WC, PR 0WL	Diesel	RWD	1968	100	136	05.11-12.16	■	
2.0 TDI (CSLC)		Diesel	RWD	1968	103	140	11.15-12.16	■	
2.0 TDI (CKUC)	PR 0WC, PR 0WL	Diesel	RWD	1968	105	142	10.11-12.16	■	
2.0 TDI (CKUB)	PR 0WC, PR 0WL	Diesel	RWD	1968	120	163	07.11-12.16	■	
2.0 TDI (CSNA)	PR 0WC, PR 0WL	Diesel	RWD	1968	120	163	07.11-12.16	■	
2.0 TDI 4motion (CKUB)	PR 0WC, PR 0WL	Diesel	4WD	1968	120	163	11.11-12.16	■	
2.0 TDI 4motion (CSNA)	PR 0WC, PR 0WL	Diesel	4WD	1968	120	163	11.11-12.16	■	
2.5 TDI (BJJ)	PR 0WC, PR 0WL	Diesel	RWD	2461	65	88	04.06-07.11	■	
2.5 TDI (CEBA)	PR 0WC, PR 0WL	Diesel	RWD	2461	65	88	04.06-07.11	■	
2.5 TDI (BJK)	PR 0WC, PR 0WL	Diesel	RWD	2461	80	109	04.06-05.13	■	
2.5 TDI (CEBB)	PR 0WC, PR 0WL	Diesel	RWD	2461	80	109	04.06-05.13	■	
2.5 TDI (BJL)	PR 0WC, PR 0WL	Diesel	RWD	2461	100	136	04.06-05.13	■	
2.5 TDI (CECA)	PR 0WC, PR 0WL	Diesel	RWD	2461	100	136	04.06-05.13	■	
2.5 TDI (BJM)	PR 0WC, PR 0WL	Diesel	RWD	2461	120	163	04.06-07.11	■	
2.5 TDI (CECB)	PR 0WC, PR 0WL	Diesel	RWD	2461	120	163	04.06-07.11	■	

# LISTA DE APLICACIONES - BUYERS GUIDE

<b>CRAFTER 30-50 (2E_) 04.06-12.16</b>						<b>Van (LCVs-N1 Segment)</b>			
2.0 TDI (CKTB)	PR 0WC, PR 0WL	Diesel	RWD	1968	80	109	05.11-12.16	■	
2.0 TDI (CSLA)	PR 0WC, PR 0WL	Diesel	RWD	1968	80	109	05.11-12.16	■	
2.0 TDI (CKTC)	PR 0WC, PR 0WL	Diesel	RWD	1968	100	136	05.11-12.16	■	
2.0 TDI (CSLC)		Diesel	RWD	1968	103	140	11.15-12.16	■	
2.0 TDI (CKUC)	PR 0WC, PR 0WL	Diesel	RWD	1968	105	142	10.11-12.16	■	
2.0 TDI (CKUB)	PR 0WC, PR 0WL	Diesel	RWD	1968	120	163	07.11-12.16	■	
2.0 TDI (CSNA)	PR 0WC, PR 0WL	Diesel	RWD	1968	120	163	07.11-12.16	■	
2.0 TDI 4motion (CKUB)	PR 0WC, PR 0WL	Diesel	4WD	1968	120	163	07.11-12.16	■	
2.0 TDI 4motion (CSNA)	PR 0WC, PR 0WL	Diesel	4WD	1968	120	163	07.11-12.16	■	
2.5 TDI (BJJ)	PR 0WC, PR 0WL	Diesel	RWD	2461	65	88	04.06-07.11	■	
2.5 TDI (CEBA)	PR 0WC, PR 0WL	Diesel	RWD	2461	65	88	04.06-07.11	■	
2.5 TDI (BJK)	PR 0WC, PR 0WL	Diesel	RWD	2461	80	109	04.06-05.13	■	
2.5 TDI (CEBB)	PR 0WC, PR 0WL	Diesel	RWD	2461	80	109	04.06-05.13	■	
2.5 TDI (BJL)	PR 0WC, PR 0WL	Diesel	RWD	2461	100	136	04.06-05.13	■	
2.5 TDI (CECA)	PR 0WC, PR 0WL	Diesel	RWD	2461	100	136	04.06-05.13	■	
2.5 TDI (BJM)	PR 0WC, PR 0WL	Diesel	RWD	2461	120	163	04.06-07.11	■	
2.5 TDI (CECB)	PR 0WC, PR 0WL	Diesel	RWD	2461	120	163	04.06-07.11	■	