

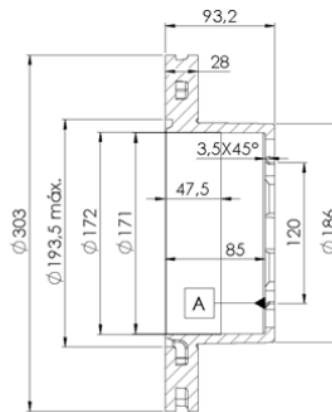
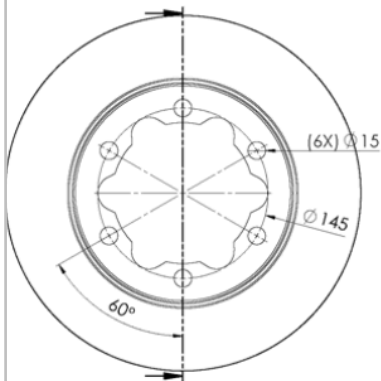
# LISTA DE APLICACIONES - BUYERS GUIDE

## 78BD0192-1



Weight: 9.848

O.E.M.	MAKE
2E0 615 601	VW
906 423 01 12	MERCEDES-BENZ



## 78BD0192-1



Ø303x28x93.2

MAKE
MERCEDES-BENZ
VW



Trac.	CC	Kw	CV
-------	----	----	----



Front / Rear

### MERCEDES-BENZ

MERCEDES-BENZ						Bus (Minibus-M2-Segment)			
<b>SPRINTER II 4,6-Ton. (B906) 06.06-</b>						<b>Bus (Minibus-M2-Segment)</b>			
415 CDI (906.653)	Diesel	RWD	2143	110	150	06.06-09.20	■		
<b>SPRINTER II 4,6-Ton. (B906) 06.06-</b>						<b>Platform/Chassis (LCVs-N1 Segment)</b>			
411 CDI (906.153, 906.155, 906.253, 906.255) (OM 651.955)	Diesel	RWD	2143	84	114	04.16-12.18	■		
413 CDI (906.153, 906.155, 906.253, 906.255) (OM 651.955)	Diesel	RWD	2143	95	129	06.06-12.16	■		
415 CDI (906.155)	Diesel	RWD	2143	110	150	01.12-09.20	■		
416 CDI (906.153, 906.155, 906.253, 906.255) (OM 651.955)	Diesel	RWD	2143	120	163	03.09-12.18	■		
416 CDI (906.153, 906.155, 906.253, 906.255) (OM 651.957)	Diesel	RWD	2143	120	163	03.09-12.18	■		
419 CDI (906.153, 906.155, 906.253, 906.255) (OM 642.896)	Diesel	RWD	2987	140	190	03.09-12.18	■		
419 CDI (906.153, 906.155, 906.253, 906.255) (OM 642.898)	Diesel	RWD	2987	140	190	03.09-12.18	■		
419 CDI (906.153, 906.155, 906.253, 906.255) (OM 642.986)	Diesel	RWD	2987	140	190	03.09-12.18	■		
419 CDI (906.153, 906.155, 906.253, 906.255) (OM 642.992)	Diesel	RWD	2987	140	190	03.09-12.18	■		
<b>SPRINTER II 4,6-Ton. (B906) 06.06-</b>						<b>Van (LCVs-N1 Segment)</b>			
411 CDI (906.653, 906.655, 906.657)	Diesel	RWD	2143	84	114	04.16-12.18	■		
413 CDI (906.653, 906.655, 906.657) (OM 651.955)	Diesel	RWD	2143	95	129	06.06-12.16	■		
413 CDI (906.653, 906.655, 906.657) (OM 651.956)	Diesel	RWD	2143	95	129	06.06-12.16	■		
414 CDI 4x4 (906.653, 906.655, 906.657) (OM 651.955)	Diesel	4WD	2143	105	143	05.16-12.18	■		
416 CDI 4x4 (906.655, 906.657) (OM 651.955)	Diesel	4WD	2143	120	163	11.13-12.18	■		

# LISTA DE APLICACIONES - BUYERS GUIDE

416 CDI 4x4 (906.655, 906.657) (OM 651.957)	Diesel	4WD	2143	120	163	11.13-12.18	■
<b>SPRINTER II 5-Ton. (B906) 06.06-</b>				<b>Bus (Minibus-M2-Segment)</b>			
513 CDI (906.655, 906.657) (OM 651.955)	Diesel	RWD	2143	95	129	03.09-12.16	■
515 CDI (906.655, 906.657) (OM 651.957)	Diesel	RWD	2143	110	150	06.06-09.20	■
516 CDI (906.655, 906.657) (OM 651.955)	Diesel	RWD	2143	120	163	03.09-12.18	■
519 CDI (906.655, 906.657) (OM 642.896)	Diesel	RWD	2987	140	190	03.09-12.18	■
<b>SPRINTER II 5-Ton. (B906) 06.06-</b>				<b>Platform/Chassis (LCVs-N1 Segment)</b>			
516 (906.153, 906.155, 906.253, 906.255) (M 271.951)	Gasolina	RWD	1796	115	156	09.08-12.18	■
524 (906.153, 906.155, 906.253, 906.255) (M 272.979)	Gasolina	RWD	3498	190	258	06.06-12.16	■
516 NGT (906.153, 906.155, 906.253, 906.255) (M 271.951)	Gasol./Gas (CNG)	RWD	1796	115	156	09.08-12.18	■
510 CDI (906.153, 906.155, 906.253, 906.255) (OM 651.955)	Diesel	RWD	2143	70	95	03.09-12.16	■
511 CDI (906.153, 906.155, 906.253, 906.255) (OM 651.955)	Diesel	RWD	2143	84	114	05.16-12.18	■
513 CDI (906.155, 906.253, 906.255, 906.153) (OM 651.955)	Diesel	RWD	2143	95	129	06.06-12.16	■
513 CDI (906.155, 906.253, 906.255, 906.153) (OM 651.957)	Diesel	RWD	2143	95	129	06.06-12.16	■
513 CDI 4x4 (906.155, 906.253, 906.255, 906.153) (OM 651.955)	Diesel	4WD	2143	95	129	05.11-12.16	■
513 CDI 4x4 (906.155, 906.253, 906.255, 906.153) (OM 651.957)	Diesel	4WD	2143	95	129	05.11-12.16	■
514 CDI (906.153, 906.155, 906.253, 906.255) (OM 651.955)	Diesel	RWD	2143	105	143	05.16-12.18	■
514 CDI 4x4 (906.153, 906.155, 906.253, 906.255) (OM 651.955)	Diesel	4WD	2143	105	143	05.16-12.18	■
515 CDI (906.155)	Diesel	RWD	2143	110	150	06.11-09.20	■
516 CDI (906.153, 906.155, 906.253, 906.255) (OM 651.955)	Diesel	RWD	2143	120	163	03.09-12.18	■
516 CDI (906.153, 906.155, 906.253, 906.255) (OM 651.957)	Diesel	RWD	2143	120	163	03.09-12.18	■
516 CDI 4x4 (906.153, 906.155, 906.255, 906.253) (OM 651.955)	Diesel	4WD	2143	120	163	03.09-12.18	■
516 CDI 4x4 (906.153, 906.155, 906.255, 906.253) (OM 651.957)	Diesel	4WD	2143	120	163	03.09-12.18	■
509 CDI (906.153, 906.155, 906.253, 906.255) (OM 646.984)	Diesel	RWD	2148	65	88	06.06-12.09	■
511 CDI (906.153, 906.155, 906.253, 906.255) (OM 646.985)	Diesel	RWD	2148	80	109	06.06-12.09	■
511 CDI 4x4 (906.155, 906.253, 906.255) (OM 646.985)	Diesel	4WD	2148	80	109	06.06-12.09	■
513 CDI (906.155, 906.253, 906.255, 906.153) (OM 646.986)	Diesel	RWD	2148	95	129	03.09-05.16	■
515 CDI (906.153, 906.155, 906.253, 906.255) (OM 646.986)	Diesel	RWD	2148	110	150	06.06-12.19	■
515 CDI (906.153, 906.155, 906.253, 906.255) (OM 646.989)	Diesel	RWD	2148	110	150	06.06-12.19	■
515 CDI (906.153, 906.155, 906.253, 906.255) (OM 646.990)	Diesel	RWD	2148	110	150	06.06-12.19	■
515 CDI 4x4 (906.153, 906.155, 906.253, 906.255) (OM 646.986)	Diesel	4WD	2148	110	150	06.06-12.09	■
515 CDI 4x4 (906.153, 906.155, 906.253, 906.255) (OM 646.989)	Diesel	4WD	2148	110	150	06.06-12.09	■
515 CDI 4x4 (906.153, 906.155, 906.253, 906.255) (OM 646.990)	Diesel	4WD	2148	110	150	06.06-12.09	■
518 CDI (906.153, 906.155, 906.253, 906.255) (OM 642.896)	Diesel	RWD	2987	135	184	06.06-12.09	■
518 CDI (906.153, 906.155, 906.253, 906.255) (OM 642.986)	Diesel	RWD	2987	135	184	06.06-12.09	■
518 CDI (906.153, 906.155, 906.253, 906.255) (OM 642.992)	Diesel	RWD	2987	135	184	06.06-12.09	■
518 CDI (906.153, 906.155, 906.253, 906.255) (OM 642.993)	Diesel	RWD	2987	135	184	06.06-12.09	■

## LISTA DE APLICACIONES - BUYERS GUIDE

518 CDI 4x4 (906.153, 906.155, 906.253, 906.255) (OM 642.896)	Diesel	4WD	2987	135	184	06.06-12.09	■
518 CDI 4x4 (906.153, 906.155, 906.253, 906.255) (OM 642.986)	Diesel	4WD	2987	135	184	06.06-12.09	■
518 CDI 4x4 (906.153, 906.155, 906.253, 906.255) (OM 642.992)	Diesel	4WD	2987	135	184	06.06-12.09	■
518 CDI 4x4 (906.153, 906.155, 906.253, 906.255) (OM 642.993)	Diesel	4WD	2987	135	184	06.06-12.09	■
519 CDI / BlueTEC (906.153, 906.155, 906.253, 906.255) (OM 642.896)	Diesel	RWD	2987	140	190	03.09-12.18	■
519 CDI / BlueTEC (906.153, 906.155, 906.253, 906.255) (OM 642.898)	Diesel	RWD	2987	140	190	03.09-12.18	■
519 CDI / BlueTEC (906.153, 906.155, 906.253, 906.255) (OM 642.986)	Diesel	RWD	2987	140	190	03.09-12.18	■
519 CDI / BlueTEC (906.153, 906.155, 906.253, 906.255) (OM 642.992)	Diesel	RWD	2987	140	190	03.09-12.18	■
519 CDI / BlueTEC 4x4 (906.653, 906.655, 906.657) (OM 642.896)	Diesel	4WD	2987	140	190	03.09-12.18	■
519 CDI / BlueTEC 4x4 (906.653, 906.655, 906.657) (OM 642.898)	Diesel	4WD	2987	140	190	03.09-12.18	■
519 CDI / BlueTEC 4x4 (906.653, 906.655, 906.657) (OM 642.986)	Diesel	4WD	2987	140	190	03.09-12.18	■
519 CDI / BlueTEC 4x4 (906.653, 906.655, 906.657) (OM 642.992)	Diesel	4WD	2987	140	190	03.09-12.18	■
<b>SPRINTER II 5-Ton. (B906) 06.06-</b>				<b>Van (LCVs-N1 Segment)</b>			
516 (906.655) (M 271.951)	Gasolina	RWD	1796	115	156	03.09-12.18	■
524 (906.653, 906.655, 906.657) (M 272.979)	Gasolina	RWD	3498	190	258	06.06-12.16	■
516 NGT (906.655)	Gasol./Gas (CNG)	RWD	1796	115	156	03.09-12.18	■
511 CDI (906.653, 906.655, 906.657) (OM 651.955)	Diesel	RWD	2143	84	114	05.16-12.18	■
513 CDI (906.653, 906.655, 906.657) (OM 651.955)	Diesel	RWD	2143	95	129	06.06-12.16	■
513 CDI (906.653, 906.655, 906.657) (OM 651.957)	Diesel	RWD	2143	95	129	06.06-12.16	■
513 CDI 4x4 (906.653, 906.655, 906.657) (OM 651.955)	Diesel	4WD	2143	95	129	03.09-12.16	■
513 CDI 4x4 (906.653, 906.655, 906.657) (OM 651.957)	Diesel	4WD	2143	95	129	03.09-12.16	■
514 CDI (906.653, 906.655, 906.657) (OM 651.955)	Diesel	RWD	2143	105	143	05.16-12.18	■
514 CDI 4x4 (906.653, 906.655, 906.657) (OM 651.955)	Diesel	4WD	2143	105	143	05.16-12.18	■
515 CDI (906.655, 906.657)	Diesel	RWD	2143	110	150	06.11-09.20	■
516 CDI 4x4 (906.653, 906.655, 906.657) (OM 651.955)	Diesel	4WD	2143	120	163	03.09-12.18	■
516 CDI 4x4 (906.653, 906.655, 906.657) (OM 651.957)	Diesel	4WD	2143	120	163	03.09-12.18	■
509 CDI (906.653, 906.655, 906.657) (OM 646.984)	Diesel	RWD	2148	65	88	06.06-12.09	■
511 CDI (906.653, 906.655, 906.657) (OM 646.985)	Diesel	RWD	2148	80	109	06.06-12.09	■
511 CDI 4x4 (906.653, 906.655, 906.657) (OM 646.985)	Diesel	4WD	2148	80	109	06.06-12.09	■
515 CDI (906.653, 906.655, 906.657) (OM 646.986)	Diesel	RWD	2148	110	150	06.06-12.09	■
515 CDI (906.653, 906.655, 906.657) (OM 646.989)	Diesel	RWD	2148	110	150	06.06-12.09	■
515 CDI (906.653, 906.655, 906.657) (OM 646.990)	Diesel	RWD	2148	110	150	06.06-12.09	■
515 CDI 4x4 (906.653, 906.655, 906.657) (OM 646.986)	Diesel	4WD	2148	110	150	06.06-12.09	■
515 CDI 4x4 (906.653, 906.655, 906.657) (OM 646.989)	Diesel	4WD	2148	110	150	06.06-12.09	■
515 CDI 4x4 (906.653, 906.655, 906.657) (OM 646.990)	Diesel	4WD	2148	110	150	06.06-12.09	■
518 CDI (906.653, 906.655, 906.657) (OM 642.896)	Diesel	RWD	2987	135	184	06.06-12.09	■

# LISTA DE APLICACIONES - BUYERS GUIDE

518 CDI (906.653, 906.655, 906.657) (OM 642.986)		Diesel	RWD	2987	135	184	06.06-12.09	■	
518 CDI (906.653, 906.655, 906.657) (OM 642.992)		Diesel	RWD	2987	135	184	06.06-12.09	■	
518 CDI (906.653, 906.655, 906.657) (OM 642.993)		Diesel	RWD	2987	135	184	06.06-12.09	■	
518 CDI 4x4 (906.653, 906.655, 906.657) (OM 642.896)		Diesel	4WD	2987	135	184	06.06-12.16	■	
518 CDI 4x4 (906.653, 906.655, 906.657) (OM 642.986)		Diesel	4WD	2987	135	184	06.06-12.16	■	
518 CDI 4x4 (906.653, 906.655, 906.657) (OM 642.992)		Diesel	4WD	2987	135	184	06.06-12.16	■	
518 CDI 4x4 (906.653, 906.655, 906.657) (OM 642.993)		Diesel	4WD	2987	135	184	06.06-12.16	■	
519 CDI / BlueTEC 4x4 (906.653, 906.655, 906.657) (OM 642.896)		Diesel	4WD	2987	140	190	03.09-12.18	■	
519 CDI / BlueTEC 4x4 (906.653, 906.655, 906.657) (OM 642.898)		Diesel	4WD	2987	140	190	03.09-12.18	■	
519 CDI / BlueTEC 4x4 (906.653, 906.655, 906.657) (OM 642.986)		Diesel	4WD	2987	140	190	03.09-12.18	■	
519 CDI / BlueTEC 4x4 (906.653, 906.655, 906.657) (OM 642.992)		Diesel	4WD	2987	140	190	03.09-12.18	■	
<b>SPRINTER III 5-Ton. (B907) 02.18-</b>							<b>Platform/Chassis (LCVs-N1 Segment)</b>		
515 CDI RWD (907.153, 907.155, 907.253, 907.255)		Diesel	RWD	1950	110	150	10.21-	■	
517 CDI RWD (907.153, 907.155, 907.253, 907.255)		Diesel	RWD	1950	125	170	01.22-	■	
519 CDI A las 4 ruedas (907.653, 907.655, 907.657)		Diesel	4WD	1950	140	190	10.21-	■	
519 CDI RWD (907.153, 907.155, 907.253, 907.255)		Diesel	RWD	1950	140	190	10.21-	■	
511 CDI (907.153, 907.155, 907.253, 907.255) (OM 651.958)		Diesel	RWD	2143	84	114	02.18-12.21	■	
514 CDI (907.153, 907.155, 907.253, 907.255) (OM 651.958)		Diesel	RWD	2143	105	143	02.18-12.21	■	
516 CDI (907.153, 907.155, 907.253, 907.255) (OM 651.958)		Diesel	RWD	2143	120	163	02.18-12.21	■	
516 CDI A las 4 ruedas (907.653, 907.655, 907.657) (OM 651.958)		Diesel	4WD	2143	120	163	01.19-12.21	■	
519 CDI (907.153, 907.155, 907.253, 907.255) (OM 642.899)		Diesel	RWD	2987	140	190	02.18-12.21	■	
519 CDI A las 4 ruedas (907.653, 907.655, 907.657) (OM 642.899)		Diesel	4WD	2987	140	190	01.19-12.21	■	
<b>VW</b>									
<b>CRAFTER 30-35 (2E_) 04.06-12.16</b>							<b>Bus (Minibus-M2-Segment)</b>		
2.0 TDI (CKTB)	PR 0WF	Diesel	RWD	1968	80	109	05.11-12.16	■	
2.0 TDI (CSLA)	PR 0WF	Diesel	RWD	1968	80	109	05.11-12.16	■	
2.0 TDI (CKTC)	PR 0WF	Diesel	RWD	1968	100	136	05.11-12.16	■	
2.0 TDI (CKUC)	PR 0WF	Diesel	RWD	1968	105	142	10.11-12.16	■	
2.0 TDI (CKUB)	PR 0WF	Diesel	RWD	1968	120	163	07.11-12.16	■	
2.0 TDI (CSNA)	PR 0WF	Diesel	RWD	1968	120	163	07.11-12.16	■	
2.0 TDI 4motion (CKUB)	PR 0WF	Diesel	4WD	1968	120	163	11.11-12.16	■	
2.0 TDI 4motion (CSNA)	PR 0WF	Diesel	4WD	1968	120	163	11.11-12.16	■	
2.5 TDI (BJJ)	PR 0WF	Diesel	RWD	2461	65	88	04.06-07.11	■	
2.5 TDI (CEBA)	PR 0WF	Diesel	RWD	2461	65	88	04.06-07.11	■	
2.5 TDI (BJK)	PR 0WF	Diesel	RWD	2461	80	109	04.06-05.13	■	
2.5 TDI (CEBB)	PR 0WF	Diesel	RWD	2461	80	109	04.06-05.13	■	
2.5 TDI (BJL)	PR 0WF	Diesel	RWD	2461	100	136	04.06-05.13	■	
2.5 TDI (CECA)	PR 0WF	Diesel	RWD	2461	100	136	04.06-05.13	■	
2.5 TDI (BJM)	PR 0WF	Diesel	RWD	2461	120	163	04.06-07.11	■	
2.5 TDI (CECB)	PR 0WF	Diesel	RWD	2461	120	163	04.06-07.11	■	

# LISTA DE APLICACIONES - BUYERS GUIDE

<b>CRAFTER 30-50 (2F_) 04.06-12.16</b>					<b>Platform/Chassis (LCVs-N1 Segment)</b>			
2.0 TDI (CKTB)	PR 0WF	Diesel	RWD	1968	80	109	05.11-12.16	■
2.0 TDI (CSLA)	PR 0WF	Diesel	RWD	1968	80	109	05.11-12.16	■
2.0 TDI (CKTC)	PR 0WF	Diesel	RWD	1968	100	136	05.11-12.16	■
2.0 TDI (CKUC)	PR 0WF	Diesel	RWD	1968	105	142	10.11-12.16	■
2.0 TDI (CKUB)	PR 0WF	Diesel	RWD	1968	120	163	07.11-12.16	■
2.0 TDI (CSNA)	PR 0WF	Diesel	RWD	1968	120	163	07.11-12.16	■
2.0 TDI 4motion (CKUB)	PR 0WF	Diesel	4WD	1968	120	163	11.11-12.16	■
2.0 TDI 4motion (CSNA)	PR 0WF	Diesel	4WD	1968	120	163	11.11-12.16	■
2.5 TDI (BJJ)	PR 0WF	Diesel	RWD	2461	65	88	04.06-07.11	■
2.5 TDI (CEBA)	PR 0WF	Diesel	RWD	2461	65	88	04.06-07.11	■
2.5 TDI (BJK)	PR 0WF	Diesel	RWD	2461	80	109	04.06-05.13	■
2.5 TDI (CEBB)	PR 0WF	Diesel	RWD	2461	80	109	04.06-05.13	■
2.5 TDI (BJL)	PR 0WF	Diesel	RWD	2461	100	136	04.06-05.13	■
2.5 TDI (CECA)	PR 0WF	Diesel	RWD	2461	100	136	04.06-05.13	■
2.5 TDI (BJM)	PR 0WF	Diesel	RWD	2461	120	163	04.06-07.11	■
2.5 TDI (CECB)	PR 0WF	Diesel	RWD	2461	120	163	04.06-07.11	■
<b>CRAFTER 30-50 (2E_) 04.06-12.16</b>					<b>Van (LCVs-N1 Segment)</b>			
2.0 TDI (CKTB)	PR 0WF	Diesel	RWD	1968	80	109	05.11-12.16	■
2.0 TDI (CSLA)	PR 0WF	Diesel	RWD	1968	80	109	05.11-12.16	■
2.0 TDI (CKTC)	PR 0WF	Diesel	RWD	1968	100	136	05.11-12.16	■
2.0 TDI (CKUC)	PR 0WF	Diesel	RWD	1968	105	142	10.11-12.16	■
2.0 TDI (CKUB)	PR 0WF	Diesel	RWD	1968	120	163	07.11-12.16	■
2.0 TDI (CSNA)	PR 0WF	Diesel	RWD	1968	120	163	07.11-12.16	■
2.0 TDI 4motion (CKUB)	PR 0WF	Diesel	4WD	1968	120	163	07.11-12.16	■
2.0 TDI 4motion (CSNA)	PR 0WF	Diesel	4WD	1968	120	163	07.11-12.16	■
2.5 TDI (BJJ)	PR 0WF	Diesel	RWD	2461	65	88	04.06-07.11	■
2.5 TDI (CEBA)	PR 0WF	Diesel	RWD	2461	65	88	04.06-07.11	■
2.5 TDI (BJK)	PR 0WF	Diesel	RWD	2461	80	109	04.06-05.13	■
2.5 TDI (CEBB)	PR 0WF	Diesel	RWD	2461	80	109	04.06-05.13	■
2.5 TDI (BJL)	PR 0WF	Diesel	RWD	2461	100	136	04.06-05.13	■
2.5 TDI (CECA)	PR 0WF	Diesel	RWD	2461	100	136	04.06-05.13	■
2.5 TDI (BJM)	PR 0WF	Diesel	RWD	2461	120	163	04.06-07.11	■
2.5 TDI (CECB)	PR 0WF	Diesel	RWD	2461	120	163	04.06-07.11	■