

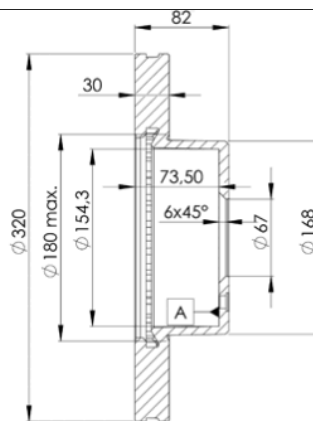
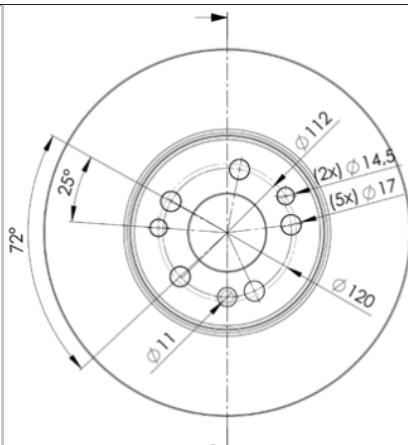
LISTA DE APLICACIONES - BUYERS GUIDE

78BD0212-2



Weight: 23.220

O.E.M.	MAKE
140 421 0212	MERCEDES-BENZ
140421091264	MERCEDES-BENZ
140421101264	MERCEDES-BENZ
A1404210212	MERCEDES-BENZ
A1404210912	MERCEDES-BENZ
A140421091264	MERCEDES-BENZ
A1404211012	MERCEDES-BENZ
A140421101264	MERCEDES-BENZ



78BD0212-2

E1 90R-02C0074/1462



Ø320x30x82

MAKE
MERCEDES-BENZ



Trac.	CC	Kw	CV
-------	----	----	----



Front / Rear

MERCEDES-BENZ

S-Class III (C140) 07.92-12.99

Coupe (Luxury car-F Segment)

SEC/CL 420 (140.063) (M 119.971)	Gasolina	RWD	4196	205	279	10.94-02.99	■
SEC/CL 420 (140.063) (M 119.981)	Gasolina	RWD	4196	205	279	10.94-02.99	■
500 SEC / CL 500 (140.070) (M 119.970)	Gasolina	RWD	4973	235	320	10.92-12.99	■
500 SEC / CL 500 (140.070) (M 119.980)	Gasolina	RWD	4973	235	320	10.92-12.99	■
SEC/CL 600 (140.076) (M 120.980)	Gasolina	RWD	5987	290	394	09.92-02.99	■
SEC/CL 600 (140.076) (M 120.982)	Gasolina	RWD	5987	290	394	09.92-02.99	■

S-Class III (W140) 02.91-12.98

Saloon (Luxury car-F Segment)

S 280 (140.028) (M 104.944)	Gasolina	RWD	2799	142	193	02.93-10.98	■
S 420 (140.042, 140.043) (M 119.971)	Gasolina	RWD	4196	205	279	01.93-10.98	■
400 SE, SEL/S420 (140.042, 140.043) (M 119.971)	Gasolina	RWD	4196	210	286	02.91-10.98	■
S 500 (140.050, 140.051) (M 119.970)	Gasolina	RWD	4973	235	320	01.93-10.98	■
S 500 (140.050, 140.051) (M 119.980)	Gasolina	RWD	4973	235	320	01.93-10.98	■
500 SE, SEL (140.050, 140.051) (M 119.970)	Gasolina	RWD	4973	240	326	02.91-10.98	■
S 600 (140.056, 140.057) (M 120.980)	Gasolina	RWD	5987	290	394	01.93-10.98	■
S 600 (140.056, 140.057) (M 120.982)	Gasolina	RWD	5987	290	394	01.93-10.98	■
600 SE, SEL (140.056, 140.057) (M 120.980)	Gasolina	RWD	5987	300	408	04.91-12.92	■
600 SE, SEL (140.056, 140.057) (M 120.982)	Gasolina	RWD	5987	300	408	04.91-12.92	■
S 350 Turbo-D (140.134) (OM 603.971)	Diesel	RWD	3449	110	150	01.93-10.98	■