

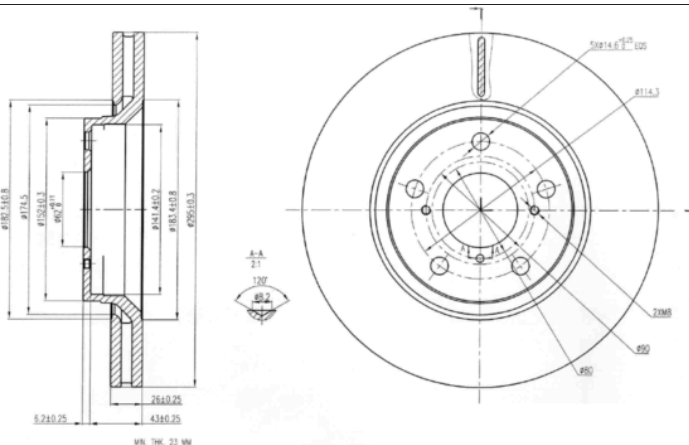
LISTA DE APLICACIONES - BUYERS GUIDE

78BD0302-2



Weight: 15.520

O.E.M.	MAKE
4351202190	TOYOTA
4351202210	TOYOTA
435120F030	TOYOTA
4351212680	TOYOTA
43512YZZAD	TOYOTA



78BD0302-2

E1 90R-02C0433/0097



Ø295x26x49.2

MAKE
TOYOTA
TOYOTA (FAW)
TOYOTA (GAC)



Trac.	CC	Kw	CV
-------	----	----	----



Front / Rear

TOYOTA

Model / Configuration							Trac.			CC	Kw	CV	Period	Availability
AURIS II (_E18_) 07.13-							Estate (Compact car-C Segment)							
1.6 (ZRE185_) (1ZR-FAE)				Gasolina	FWD	1598	97	132	07.13-12.18	■				
1.6 D4-D (WWE185_) (1WW)				Diesel	FWD	1598	82	112	04.15-12.18	■				
2.0 D-4D (ADE186_) (1AD-FTV)				Diesel	FWD	1998	91	124	07.13-04.15	■				
AURIS II / COROLLA (_E18_) 10.12-							Hatchback (Compact car-C Segment)							
1.6 (ZRE181_ , ZRE185_ , ZRE185R, ZRE181R) (1ZR-FAE)				Gasolina	FWD	1598	97	132	10.12-12.18	■				
1.6 D4-D (WWE185_) (1WW)				Diesel	FWD	1598	82	112	04.15-12.18	■				
2.0 D-4D (ADE186_ , ADE186R) (1AD-FTV)				Diesel	FWD	1998	91	124	10.12-04.15	■				
AURIS / BLADE (_E15_) 10.06-01.13							Hatchback (Compact car-C Segment)							
1.6 (ZRE151_ , ZRE151R) (1ZR-FE)				Gasolina	FWD	1598	91	124	03.07-09.12	■				
1.6 (ZRE151_ , ZRE151R) (1ZR-FAE)				Gasolina	FWD	1598	97	132	05.09-09.12	■				
2.0 D-4D (ADE150_ , ADE150R) (1AD-FTV)				Diesel	FWD	1998	93	126	10.06-09.12	■				
2.2 D (ADE157_ , ADE151_ , ADE151R, ADE157R) (2AD-FHV)				Diesel	FWD	2231	130	177	11.06-09.12	■				
AVENSIS II (_T25_) 04.03-11.08							Estate (Large family car-D Segment)							
1.6 VVT-i (ZTZ250_ , ZTZ250R) (3ZZ-FE)				Gasolina	FWD	1598	81	110	04.03-11.08	■				
1.8 VVT-i (ZTZ251_ , ZTZ251R) (1ZZ-FE)				Gasolina	FWD	1794	95	129	04.03-11.08	■				
2.0 VVT-i (AZT250_ , AZT250R) (1AZ-FSE)				Gasolina	FWD	1998	108	147	04.03-11.08	■				
2.0 VVT-i (AZT250_ , AZT250R) (1AZ-FE)				Gasolina	FWD	1998	114	155	04.03-11.08	■				
2.4 VVT-i (AZT251_ , AZT251R) (2AZ-FSE)				Gasolina	FWD	2362	120	163	10.03-10.08	■				
2.4 VVT-i (AZT251_ , AZT251R) (2AZ-FSE)				Gasolina	FWD	2362	125	170	09.03-11.08	■				
2.0 D-4D (CDT250_ , CDT250R) (1CD-FTV)				Diesel	FWD	1995	85	116	04.03-11.08	■				
2.0 D-4D (ADT250_ , ADT250R) (1AD-FTV)				Diesel	FWD	1998	93	126	03.06-11.08	■				

LISTA DE APLICACIONES - BUYERS GUIDE

2.2 D-4D (ADT251_, ADT251R) (2AD-FTV)	Diesel	FWD	2231	110	150	10.05-11.08	■
2.2 D-CAT (ADT251_, ADT251R) (2AD-FHV)	Diesel	FWD	2231	130	177	07.05-11.08	■
AVENSIS II (_T25_) 03.03-11.08						Hatchback (Large family car-D Segment)	
1.6 VVT-i (ZZT250_, ZZT250R) (3ZZ-FE)	Gasolina	FWD	1598	81	110	04.03-11.08	■
1.8 VVT-i (ZZT251_, ZZT251R) (1ZZ-FE)	Gasolina	FWD	1794	95	129	03.03-10.08	■
2.0 VVT-i (AZT250_, AZT250R) (1AZ-FSE)	Gasolina	FWD	1998	108	147	03.03-11.08	■
2.4 VVT-i (AZT251_, AZT251R) (2AZ-FSE)	Gasolina	FWD	2362	120	163	10.03-10.08	■
2.4 VVT-i (AZT251_, AZT251R) (2AZ-FSE)	Gasolina	FWD	2362	125	170	09.03-11.08	■
2.0 D-4D (CDT250_, CDT250R) (1CD-FTV)	Diesel	FWD	1995	85	116	04.03-11.08	■
2.0 D-4D (ADT250_, ADT250R) (1AD-FTV)	Diesel	FWD	1998	93	126	03.06-11.08	■
2.2 D-4D (ADT251_, ADT251R) (2AD-FTV)	Diesel	FWD	2231	110	150	10.05-11.08	■
2.2 D-CAT (ADT251_, ADT251R) (2AD-FHV)	Diesel	FWD	2231	130	177	07.05-11.08	■
AVENSIS II (_T25_) 01.03-04.09						Saloon (Large family car-D Segment)	
1.6 VVT-i (ZZT250_, ZZT250R) (3ZZ-FE)	Gasolina	FWD	1598	81	110	04.03-11.08	■
1.8 VVT-i (ZZT251_, ZZT251R) (1ZZ-FE)	Gasolina	FWD	1794	95	129	04.03-11.08	■
2.0 VVT-i (AZT250_, AZT250R) (1AZ-FSE)	Gasolina	FWD	1998	108	147	04.03-11.08	■
2.0 VVTi (AZT250_) (1AZ-FE)	Gasolina	FWD	1998	114	155	01.03-11.08	■
2.4 VVT-i (AZT251_, AZT251R) (2AZ-FSE)	Gasolina	FWD	2362	120	163	10.03-10.08	■
2.4 VVT-i (AZT251_, AZT251R) (2AZ-FSE)	Gasolina	FWD	2362	125	170	09.03-11.08	■
2.0 D-4D (CDT250_, CDT250R) (1CD-FTV)	Diesel	FWD	1995	85	116	04.03-11.08	■
2.0 D-4D (ADT250_, ADT250R) (1AD-FTV)	Diesel	FWD	1998	93	126	03.06-10.08	■
2.2 D-4D (ADT251_, ADT251R) (2AD-FTV)	Diesel	FWD	2231	110	150	10.05-11.08	■
2.2 D-CAT (ADT251_, ADT251R) (2AD-FHV)	Diesel	FWD	2231	130	177	07.05-11.08	■
AVENSIS II VERSO / IPSUM / PICNIC / VERSO SPORTVAN (_M2_) 05.01-12.11						MPV (Large MPV-M1 Segment)	
2.0 VVT-i (ACM20_, ACM20R) (1AZ-FE)	Gasolina	FWD	1998	110	150	08.01-11.09	■
2.4 VVT-i (ACM21) (2AZ-FE)	Gasolina	FWD	2362	115	156	08.01-08.07	■
2.4 VVT-i 4WD (ACM26_, ACM26W) (2AZ-FE)	Gasolina	4WD	2362	115	156	11.03-08.06	■
AVENSIS III (_T27_) 11.08-10.18						Estate (Large family car-D Segment)	
1.6 VVT-i (ZRT270_, ZRT270R) (1ZR-FAE)	Gasolina	FWD	1598	97	132	11.08-10.18	■
1.8 VVT-i (ZRT271_, ZRT271R) (2ZR-FAE)	Gasolina	FWD	1798	108	147	11.08-10.18	■
2.0 VVT-i (ZRT272_, ZRT272R) (3ZR-FAE)	Gasolina	FWD	1987	112	152	11.08-10.18	■
2.0 VVT-i (ZRT272_, ZRT272R) (3ZR-FE)	Gasolina	FWD	1987	112	152	11.08-10.18	■
1.6 D4-D (WWT270_) (1WW)	Diesel	FWD	1598	82	112	04.15-10.18	■
2.0 D-4D (WWT271_) (2WW)	Diesel	FWD	1995	105	143	04.15-10.18	■
2.0 D-4D (ADT270_, ADT270R) (1AD-FTV)	Diesel	FWD	1998	91	124	11.11-10.18	■
2.0 D-4D (ADT270_, ADT270R) (1AD-FTV)	Diesel	FWD	1998	93	126	11.08-10.18	■
AVENSIS III (_T27_) 11.08-						Saloon (Large family car-D Segment)	
1.6 VVT-i (ZRT270_, ZRT270R) (1ZR-FAE)	Gasolina	FWD	1598	97	132	11.08-10.18	■
1.8 VVT-i (ZRT271_, ZRT271R) (2ZR-FAE)	Gasolina	FWD	1798	108	147	11.08-10.18	■
2.0 VVT-i (ZRT272_, ZRT272R) (3ZR-FAE)	Gasolina	FWD	1987	112	152	11.08-10.18	■
2.0 VVT-i (ZRT272_, ZRT272R) (3ZR-FE)	Gasolina	FWD	1987	112	152	11.08-10.18	■
2.0 VVT-i (AZT270_, AZT270R) (1AZ-FE)	Gasolina	FWD	1998	100	136	11.08-04.11	■
1.6 D4-D (WWT270_) (1WW)	Diesel	FWD	1598	82	112	04.15-10.18	■
2.0 D-4D (ADT270_, ADT270R) (1AD-FTV)	Diesel	FWD	1998	91	124	11.11-10.18	■
2.0 D-4D (ADT270_, ADT270R) (1AD-FTV)	Diesel	FWD	1998	93	126	11.08-10.11	■
2.2 D-4D (ADT271_, ADT271R) (2AD-FHV)	Diesel	FWD	2231	110	150	11.08-10.18	■
2.2 D-4D (ADT271_, ADT271R) (2AD-FTV)	Diesel	FWD	2231	110	150	11.08-10.18	■
2.2 D-4D (ADT271_, ADT271R) (2AD-FHV)	Diesel	FWD	2231	130	177	11.08-10.18	■

LISTA DE APLICACIONES - BUYERS GUIDE

COROLLA IX (_E12_) 03.01-12.08					Estate (Compact executive car-D Segment)			
1.4 D4-D (NDE120_, NDE120R) (1ND-TV)		Diesel	FWD	1364	66	90	06.04-10.07	■
COROLLA IX / ALTIS / AXIO-ALTIS (_E12_) 08.00-12.08					Saloon (Compact executive car-D Segment)			
1.5 (NZE121) (1NZ-FE)		Gasolina	FWD	1497	80	109	11.01-07.07	■
1.4 D-4D (NDE120_, NDE120R) (1ND-TV)		Diesel	FWD	1364	66	90	06.04-10.06	■
COROLLA IX / RUNX (_E12_) 01.01-04.08					Hatchback (Compact executive car-D Segment)			
1.8 4WD (ZZE124) (1ZZ-FE)		Gasolina	4WD	1794	100	136	01.01-02.07	■
1.4 D (NDE120_, NDE120R) (1ND-TV)		Diesel	FWD	1364	66	90	07.04-02.07	■
COROLLA IX-X (ZER_, ZZE12_, R1_) 03.04-10.09					MPV (Compact MPV-M1 Segment)			
1.3 VVTi (8A-FE)		Gasolina	FWD	1342	64	87	03.04-03.09	■
1.6 (ZNR10_, ZNR10R) (3ZZ-FE)		Gasolina	FWD	1598	81	110	04.04-03.09	■
1.8 (ZNR11_, ZNR11R) (1ZZ-FE)		Gasolina	FWD	1794	95	129	04.04-03.09	■
2.0 D-4D (CUR10_, CUR10R) (1CD-FTV)		Diesel	FWD	1995	85	116	04.04-03.09	■
2.2 D-4D (AUR10_, AUR10R) (2AD-FTV)		Diesel	FWD	2231	100	136	10.05-03.09	■
2.2 D-4D (AUR10_, AUR10R) (2AD-FHV)		Diesel	FWD	2231	130	177	10.05-03.09	■
COROLLA X / ALTIS (_E15_) 10.06-					Saloon (Compact executive car-D Segment)			
1.4 VVT-i (ZZE150_) (4ZZ-FE)		Gasolina	FWD	1398	71	97	11.06-11.13	■
1.6 VVTi (ZZE141) (3ZZ-FE)		Gasolina	FWD	1598	80	109	12.07-06.13	■
1.6 VVTi (ZRE141_, ZRE151_) (1ZR-FE)		Gasolina	FWD	1598	90	122	07.10-05.14	■
1.6 (ZRE151) (1ZR-FAE)		Gasolina	FWD	1598	97	132	11.06-11.13	■
1.6 (ZRE151) (1ZR-FE)		Gasolina	FWD	1598	97	132	11.06-11.13	■
1.8 (ZZE142_, ZZE142R) (1ZZ-FE)		Gasolina	FWD	1794	97	132	12.07-07.14	■
1.8 VVTi (ZRE142) (2ZR-FE)		Gasolina	FWD	1798	97	132	01.08-07.14	■
1.8 VVTi		Gasolina	FWD	1798	103	140	08.10-	■
1.8		Gasolina	FWD	1798	106	144	08.10-	■
2.0 D-4D (ADE150) (1AD-FTV)		Diesel	FWD	1998	93	126	11.06-07.14	■
COROLLA XI / COROLLA ALTIS (_E18_, ZRE1_) 06.13-					Saloon (Compact executive car-D Segment)			
1.3 Dual-VVTi (NRE180_, NRE180R) (1NR-FE)		Gasolina	FWD	1329	73	99	06.13-12.18	■
1.6 (ZRE171) (1ZR-FE)		Gasolina	FWD	1598	89	121	10.13-12.18	■
1.6 (ZRE171, ZRE181) (1ZR-FE)		Gasolina	FWD	1598	90	122	06.13-12.18	■
1.6 (ZRE181_) (1ZR-FAE)		Gasolina	FWD	1598	97	132	06.13-12.18	■
1.8 VVTi (ZRE172, ZRE182) (2ZR-FBE)		Gasolina	FWD	1798	103	140	06.13-08.19	■
1.8 VVTi (ZRE172, ZRE182) (2ZR-FE)		Gasolina	FWD	1798	103	140	06.13-08.19	■
1.8 VVTi		Gasolina	FWD	1798	104	141	09.13-	■
2.0 VVT-i (ZRE173_) (3ZR-FE)		Gasolina	FWD	1987	105	143	10.13-12.18	■
2.0 VVT-i (ZRE173) (3ZR-FE)		Gasolina	FWD	1987	107	145	01.14-06.19	■
2.0 VVT-i CNG (ZRE173) (3ZR-FE)		Gasol./Gas (CNG)	FWD	1987	105	143	12.13-12.18	■
1.4 D-4D (NDE180_, NDE180R) (1ND-TV)		Diesel	FWD	1364	66	90	06.13-12.18	■
VERSO (_R2_) 04.09-08.18					Box Body/MPV (Mini MPV-M1 Segment)			
VVTi (ZGR20)		Gasolina	FWD	1598	97	132	04.09-08.18	■
VVTi (ZGR21)		Gasolina	FWD	1798	108	147	04.09-08.18	■
D4d (WAR20)		Diesel	FWD	1598	82	112	11.13-08.18	■
D4d (AUR20)		Diesel	FWD	1998	91	124	11.12-08.18	■
VERSO (_R2_) 04.09-					MPV (Mini MPV-M1 Segment)			
1.6 (ZGR20) (1ZR-FAE)		Gasolina	FWD	1598	81	110	04.09-08.18	■
1.6 (ZGR20_, ZGR20R) (1ZR-FAE)		Gasolina	FWD	1598	97	132	04.09-08.18	■

LISTA DE APLICACIONES - BUYERS GUIDE

1.8		Gasolina	FWD	1798	95	129	04.09-	■
1.8 (ZGR21_, ZGR21R) (2ZR-FAE)		Gasolina	FWD	1798	108	147	04.09-08.18	■
1.6 D4-D (WAR20_) (1WW)		Diesel	FWD	1598	82	112	11.13-08.18	■
2.0 D-4D (AUR20_, AUR20R) (1AD-FTV)		Diesel	FWD	1998	91	124	11.12-08.18	■
2.0 D-4D (AUR20_, AUR20R) (1AD-FTV)		Diesel	FWD	1998	93	126	04.09-08.18	■

TOYOTA (FAW)

COROLLA (_E18_) 06.14-							Saloon (Compact executive car-D Segment)		
1.8 (ZRE182)		Gasolina	FWD	1798	103	140	06.14-	■	

TOYOTA (GAC)

LEVIN (ZRE18_, ZWE18_) 10.15-							Saloon (Supermini car-B Segment)		
1.8 (ZRE182)		Gasolina	FWD	1798	103	140	07.14-	■	