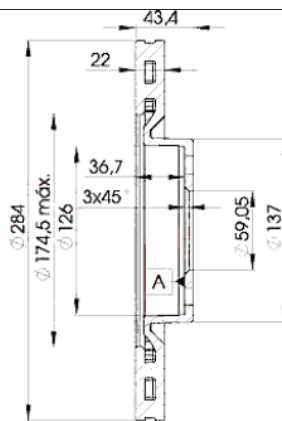
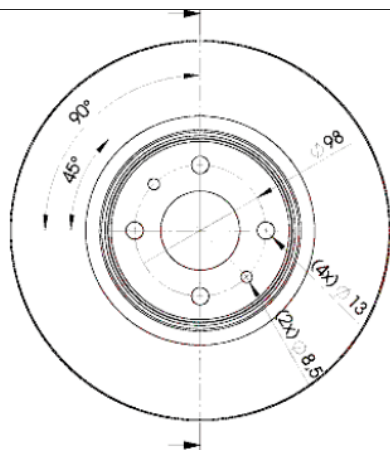


# LISTA DE APLICACIONES - BUYERS GUIDE

## 78BD0356-2



Weight: 12.524



## 78BD0356-2

E1 90R-02C0538/0081



Ø284x22x43.4

### MAKE

- ABARTH
- ALFA ROMEO
- CHRYSLER
- FIAT
- LANCIA

O.E.M.	MAKE
4 640 308 8	LANCIA
4 640 395 9	FIAT
4 644 500 4	FIAT
4 644 589 2	FIAT
4 644 816 8	FIAT
4 644 846 8	FIAT
4 645 580 4	FIAT
4 645 589 2	LANCIA
4 675 871 4	LANCIA
52015289	FIAT
52063170	FIAT
6 080 613 5	FIAT
6 081 040 4	ALFA ROMEO
6 081 216 4	FIAT
6 081 242 2	LANCIA
6 081 303 8	LANCIA
7 173 956 9	FIAT
8 243 391 8	LANCIA
8 244 035 6	LANCIA
8 245 065 7	LANCIA
8 245 174 6	LANCIA
9 081 303 8	FIAT



Trac.	CC	Kw	CV	Hourglass icon	Front / Rear
-------	----	----	----	----------------	--------------

### ABARTH

500 / 595 / 695 01.08-							Hatchback (City car-A Segment)			
1.4 (312.AXD1A) (312 A1.000)	not sport chassis	Gasolina	FWD	1368	99	135	08.08-	■		
1.4 (312.AXF1A, 312.AXF11, 312.AXD1A) (312 A3.000)		Gasolina	FWD	1368	103	140	05.10-	■		
1.4 (312.AXT1A)	not sport chassis	Gasolina	FWD	1368	140	190	08.08-	■		

### ALFA ROMEO

155 (167_) 01.92-12.97							Saloon (Compact executive car-D Segment)			
2.0 16V Turbo Q4 (167.A2B, 167.A2C, 167.A2E) (AR 67203)		Gasolina	4WD	1995	137	186	01.92-12.97	■		
2.0 16V Turbo Q4 (167.A2B, 167.A2C, 167.A2E) (AR 67203)		Gasolina	4WD	1995	140	190	03.92-12.97	■		
2.5 V6 (167.A1C, 167.A1E) (AR 67302)		Gasolina	FWD	2492	120	163	09.92-12.97	■		
2.5 V6 (167.A1C, 167.A1E) (AR 67303)		Gasolina	FWD	2492	120	163	09.92-12.97	■		
2.5 V6 (167.A1C, 167.A1E) (AR 67301)		Gasolina	FWD	2492	121	165	03.92-05.95	■		
2.5 TD (167.A1A, 167.A1G) (VM 07 B)		Diesel	FWD	2499	92	125	04.93-12.97	■		
2.5 TD (167.A1A, 167.A1G) (VM 31 B)		Diesel	FWD	2499	92	125	04.93-12.97	■		

### CHRYSLER

DELTA 08.11-							Hatchback (Compact car-C Segment)			
1.4 (198 A4.000)		Gasolina	FWD	1368	88	120	08.11-	■		
1.6 D Multijet (198 A2.000)		Diesel	FWD	1598	88	120	08.11-	■		

### FIAT

BRAVO (182_) 10.95-10.01							Hatchback (Compact car-C Segment)			
2.0 HGT 20V (182.AD) (182 A1.000)	11/96-, vehicles with ABS	Gasolina	FWD	1998	108	147	10.95-07.98	■		
2.0 HGT 20V (182AQ) (182 B7.000)	vehicles with ABS	Gasolina	FWD	1998	113	154	07.98-10.01	■		

# LISTA DE APLICACIONES - BUYERS GUIDE

<b>BRAVO II / RITMO III (198_) 11.06-</b>					<b>Hatchback (Compact car-C Segment)</b>			
1.9 D Multijet (198AXB1A) (192 A8.000)		Diesel	FWD	1910	88	120	04.07-12.14	■
<b>COUPE (175_) 11.93-08.00</b>					<b>Coupe (Sports car-S Segment)</b>			
2.0 16V Turbo (175 A1.000)		Gasolina	FWD	1995	140	190	11.93-08.96	■
2.0 20V Turbo (175 A3.000)		Gasolina	FWD	1998	162	220	08.96-08.00	■
<b>CROMA (154_) 12.85-12.96</b>					<b>Hatchback (Large family car-D Segment)</b>			
2500 V6 (834 G.000)		Gasolina	FWD	2492	119	162	06.93-08.96	■
<b>DOBLO (119_, 223_) 03.01-</b>					<b>MPV (Large MPV-M1 Segment)</b>			
1.6		Gasolina	FWD	1596	68	92	09.02-	■
1.6 Natural Power (223AXD1A) (182 B6.000)		Gasol./Gas (CNG)	FWD	1596	68	92	11.05-07.09	■
<b>IDEA (350_) 12.03-</b>					<b>Box Body/MPV (Mini MPV-M1 Segment)</b>			
JTD Multijet (350BXG1A)		Diesel	FWD	1248	66	90	04.05-12.10	■
MJTD (350BXD1A)		Diesel	FWD	1910	74	101	10.04-12.10	■
<b>IDEA (350_) 12.03-</b>					<b>MPV (Mini MPV-M1 Segment)</b>			
1.8 (93313090-7U)		Gasolina	FWD	1796	81	110	01.08-07.10	■
1.3 D Multijet (199 A3.000)		Diesel	FWD	1248	66	90	10.05-	■
1.6 D Multijet (350 A2.000)		Diesel	FWD	1598	88	120	05.08-	■
1.9 JTD (188 B2.000)		Diesel	FWD	1910	74	101	01.04-	■
<b>LINEA (323_, 110_) 10.06-</b>					<b>Saloon (Compact car-C Segment)</b>			
1.4 T-Jet		Gasolina	FWD	1368	84	114	09.07-03.13	■
1.4 T-Jet (323AXC1A) (198 A4.000)		Gasolina	FWD	1368	88	120	05.07-	■
1.6 (323.AXF1A) (310 A5.011)		Gasolina	FWD	1598	81	110	10.11-	■
1.6 D Multijet (198 A3.000)		Diesel	FWD	1598	77	105	06.09-	■
<b>MAREA (185_) 05.96-12.07</b>					<b>Saloon (Large family car-D Segment)</b>			
2.0 150 20V (182 A1.000)		Gasolina	FWD	1998	108	147	09.96-04.99	■
2.0 150 20V (185 A8.000)		Gasolina	FWD	1998	110	150	01.01-05.02	■
2.0 155 20V (182 B7.000)		Gasolina	FWD	1998	113	154	04.99-01.01	■
2.4 TD 125 (185 A2.000)		Diesel	FWD	2387	91	125	09.96-04.99	■
2.4 JTD 130 (185 A6.000)		Diesel	FWD	2387	96	130	04.99-05.02	■
2.4 JTD 130 (839 A5.000)		Diesel	FWD	2387	96	130	04.99-05.02	■
<b>MAREA Weekend (185_) 09.96-12.07</b>					<b>Estate (Large family car-D Segment)</b>			
2.0 150 20V (182 A1.000)		Gasolina	FWD	1998	108	147	09.96-04.99	■
2.0 150 20V (185 A8.000)		Gasolina	FWD	1998	110	150	01.01-05.02	■
2.0 155 20V (182 B7.000)		Gasolina	FWD	1998	113	154	04.99-02.03	■
2.4 TD 125 (185 A2.000)		Diesel	FWD	2387	91	125	09.96-04.99	■
2.4 JTD 130 (185 A6.000)	-08/00	Diesel	FWD	2387	96	130	04.99-05.02	■
2.4 JTD 130 (839 A5.000)	-08/00	Diesel	FWD	2387	96	130	04.99-05.02	■
<b>STILO (192_) 10.01-08.08</b>					<b>Estate Van (Compact car-C Segment)</b>			
1.6 (192DXR1A) (192 B3.000)		Gasolina	FWD	1598	77	105	04.05-08.08	■
1.9 JTD (192DXF1A) (192 A3.000)		Diesel	FWD	1910	59	80	10.01-08.05	■
1.9 JTD (192DXE1A) (192 A1.000)		Diesel	FWD	1910	85	116	10.01-08.05	■
1.9 JTD (192DXS1A) (192 A8.000)		Diesel	FWD	1910	88	120	09.05-08.08	■
1.9 JTD (192DXG1B) (937 A4.000)		Diesel	FWD	1910	93	126	09.03-08.05	■
1.9 JTD (192DXG1B) (192 B1.000)		Diesel	FWD	1910	100	136	02.04-08.08	■
1.9 JTD (192DXG1B) (192 A5.000)		Diesel	FWD	1910	103	140	09.03-08.05	■
1.9 JTD (192DXT1B) (937 A5.000)		Diesel	FWD	1910	110	150	09.05-08.08	■

# LISTA DE APLICACIONES - BUYERS GUIDE

					<b>Hatchback (Compact car-C Segment)</b>				
<b>STILO (192_) 10.01-11.10</b>									
1.8 16V		Gasolina	FWD	1747	90	122	06.02-12.07	■	
1.8 16V (192AXC1A, 192BXC1A) (192 A4.000)		Gasolina	FWD	1747	98	133	10.01-04.07	■	
1.9 JTD (192_XF1A) (192 A3.000)		Diesel	FWD	1910	59	80	02.02-09.05	■	
1.9 JTD (192AXS1B, 192BXS1B) (192 B5.000)		Diesel	FWD	1910	66	90	09.04-11.06	■	
1.9 D Multijet (192 A9.000)		Diesel	FWD	1910	74	100	09.05-11.06	■	
1.9 JTD (192_XE1A) (192 A1.000)		Diesel	FWD	1910	85	115	10.01-11.06	■	
1.9 JTD (192_XE1A) (937 A7.000)		Diesel	FWD	1910	85	115	10.01-11.06	■	
1.9 D Multijet (192 A8.000)		Diesel	FWD	1910	88	120	09.05-11.06	■	
1.9 JTD (937 A4.000)		Diesel	FWD	1910	93	126	09.03-11.06	■	
1.9 JTD (192 B1.000)		Diesel	FWD	1910	100	136	04.04-11.06	■	
1.9 JTD (192 A5.000)		Diesel	FWD	1910	103	140	01.04-08.05	■	
1.9 D Multijet (937 A5.000)		Diesel	FWD	1910	110	150	09.05-11.06	■	
<b>STILO Multi Wagon (192_) 01.03-08.08</b>					<b>Estate (Compact car-C Segment)</b>				
1.6 16V (192 B3.000)		Gasolina	FWD	1598	77	105	03.05-12.07	■	
1.8 16V (192 A4.000)		Gasolina	FWD	1747	98	133	01.03-08.08	■	
1.9 JTD (192 A3.000)		Diesel	FWD	1910	59	80	01.03-08.05	■	
1.9 D (192 B5.000)		Diesel	FWD	1910	66	90	09.04-08.08	■	
1.9 D Multijet (192 A9.000)		Diesel	FWD	1910	74	100	09.05-08.08	■	
1.9 JTD (192 A1.000)		Diesel	FWD	1910	85	115	01.03-08.08	■	
1.9 JTD (937 A7.000)		Diesel	FWD	1910	85	115	01.03-08.08	■	
1.9 D Multijet (192 A8.000)		Diesel	FWD	1910	88	120	09.05-08.08	■	
1.9 JTD (937 A4.000)		Diesel	FWD	1910	93	126	09.03-08.08	■	
1.9 JTD (192 B1.000)		Diesel	FWD	1910	100	136	04.04-08.08	■	
1.9 JTD (192 A5.000)		Diesel	FWD	1910	103	140	01.04-08.08	■	
1.9 D Multijet (192DXT1B) (937 A5.000)		Diesel	FWD	1910	110	150	09.05-08.08	■	
<b>LANCIA</b>									
<b>DELTA (831_) 09.79-01.94</b>					<b>Hatchback (Compact car-C Segment)</b>				
2.0 HF Integrale (831AB.024S, 831AB.028) (831 B5.000)		Gasolina	4WD	1995	122	166	11.86-08.88	■	
2.0 HF Integrale (831AB.024S, 831AB.028) (831 C5.046)		Gasolina	4WD	1995	130	177	12.86-12.92	■	
2.0 HF Integrale (831AB.024S, 831AB.028) (831 C5.000)		Gasolina	4WD	1995	133	181	10.87-12.91	■	
2.0 16V HF Integrale (831AB.026) (831 D5.000)		Gasolina	4WD	1995	144	196	03.89-09.91	■	
<b>DELTA II (836_) 06.93-09.99</b>					<b>Hatchback (Compact car-C Segment)</b>				
2.0 16V Turbo (836AB) (836 A2.000)		Gasolina	FWD	1995	137	186	06.93-08.99	■	
2.0 16V Turbo (836AS) (175 A4.000)		Gasolina	FWD	1995	142	193	07.96-08.99	■	
<b>DELTA III (844_) 08.08-08.14</b>					<b>Hatchback (Compact car-C Segment)</b>				
1.4 (844.AXA1A) (198 A4.000)		Gasolina	FWD	1368	88	120	09.08-08.14	■	
1.4 Bifuel (844.AXA1A) (198 A4.000)		Gasol./Gas (LPG)	FWD	1368	88	120	07.11-08.14	■	
1.6 D Multijet (844.AXF11, 844.AXF1A) (955 A4.000)		Diesel	FWD	1598	85	116	08.08-08.14	■	
1.6 D Multijet (844.AXC11, 844.AXC1A) (198 A2.000)		Diesel	FWD	1598	88	120	09.08-08.14	■	
<b>LYBRA (839_) 07.99-10.05</b>					<b>Saloon (Compact executive car-D Segment)</b>				
1.8 16V (839AXB1A, 839AXG1A) (839 A4.000)	-06/01	Gasolina	FWD	1747	96	131	07.99-10.05	■	
1.8 16V (839AXB1A, 839AXG1A) (839 A7.000)	-06/01	Gasolina	FWD	1747	96	131	07.99-10.05	■	
1.8 16V (839AXB1A, 839AXG1A) (839 A9.000)	-06/01	Gasolina	FWD	1747	96	131	07.99-10.05	■	
2.0 20V (839AXH1A) (185 A8.000)	-06/01	Gasolina	FWD	1998	110	150	09.00-10.05	■	

# LISTA DE APLICACIONES - BUYERS GUIDE

2.0 20V (839AXC11, 839AXC1A) (182 B7.000)		Gasolina	FWD	1998	113	154	07.99-09.00	■	
2.4 20V (839.CXM1A) (192 A2.000)		Gasolina	FWD	2446	125	170	10.01-10.05	■	
1.9 JTD (839AXD1A) (AR 32302)		Diesel	FWD	1910	77	105	07.99-09.00	■	
1.9 JTD (839AXI1A) (AR 37101)		Diesel	FWD	1910	81	110	09.00-05.01	■	
1.9 JTD (839.AXI1A, 839.AXN1A, 839.CXL1A) (937 A2.000)		Diesel	FWD	1910	85	116	05.01-10.05	■	
2.4 JTD (839AXE1A) (839 A5.000)		Diesel	FWD	2387	99	135	07.99-02.01	■	
2.4 JTD (839AXE1A) (AR 32501)		Diesel	FWD	2387	99	135	07.99-02.01	■	
2.4 JTD (839AXL1A) (839 A6.000)	-06/01	Diesel	FWD	2387	103	140	09.00-05.02	■	
2.4 JTD (839.AXE1A) (841 C.000)	vehicles with ABS	Diesel	FWD	2387	110	150	05.02-10.05	■	
<b>LYBRA SW (839_) 07.99-10.05</b>							<b>Estate (Compact executive car-D Segment)</b>		
1.8 16V (839BXB1A, 839BXG1A) (839 A4.000)	-06/01	Gasolina	FWD	1747	96	131	07.99-10.05	■	
1.8 16V (839BXB1A, 839BXG1A) (839 A7.000)	-06/01	Gasolina	FWD	1747	96	131	07.99-10.05	■	
2.0 20V (839BXH1A) (185 A8.000)	-06/01	Gasolina	FWD	1998	110	150	09.00-10.05	■	
2.0 20V (839BXC11, 839BXC1A) (182 B7.000)		Gasolina	FWD	1998	113	154	07.99-09.00	■	
1.9 JTD (839BXD1A) (AR 32302)		Diesel	FWD	1910	77	105	07.99-09.01	■	
1.9 JTD (839BXI1A) (AR 37101)		Diesel	FWD	1910	81	110	09.00-05.01	■	
1.9 JTD (839.BXI1A, 839.BXN1A, 839.CXL1A) (937 A2.000)		Diesel	FWD	1910	85	116	05.01-10.05	■	
2.4 JTD (839BXE1A) (839 A5.000)		Diesel	FWD	2387	99	135	10.99-09.00	■	
2.4 JTD (839BXE1A) (AR 32501)		Diesel	FWD	2387	99	135	10.99-09.00	■	
2.4 JTD (839BXL1A) (839 A6.000)	-06/01	Diesel	FWD	2387	103	140	09.00-10.05	■	
2.4 JTD (839.BXE1A) (841 C.000)	vehicles with ABS	Diesel	FWD	2387	110	150	05.02-10.05	■	
<b>MUSA (350_) 10.04-09.12</b>							<b>MPV (Mini MPV-M1 Segment)</b>		
1.6 D Multijet (350.AXL1A, 350.AXH1A) (350 A2.000)		Diesel	FWD	1598	85	116	07.08-09.12	■	
1.6 D Multijet (350.AXL1A, 350.AXH1A) (350 A3.000)		Diesel	FWD	1598	85	116	07.08-09.12	■	
1.6 D Multijet (350.AXH1A) (350 A2.000)		Diesel	FWD	1598	88	120	07.08-09.12	■	
1.9 D Multijet (350.AXC1A) (188 B2.000)		Diesel	FWD	1910	74	101	10.04-09.12	■	
<b>THEMA (834_) 11.84-07.94</b>							<b>Saloon (Executive car-E Segment)</b>		
2000 i.e. Turbo (834C) (834 C.000)		Gasolina	FWD	1995	122	166	11.84-12.89	■	
2000 i.e. 16V Turbo (834AL) (834 C1.246)		Gasolina	FWD	1995	130	177	04.89-05.92	■	
2000 16V Turbo (834AC) (834 C1.000)		Gasolina	FWD	1995	133	181	12.88-06.90	■	
2000 16V Turbo (834GC, 834FC) (834 F2.000)		Gasolina	FWD	1995	148	201	10.92-07.94	■	
<b>THEMA SW (834_) 03.87-07.94</b>							<b>Estate (Executive car-E Segment)</b>		
2000 Turbo (834.FA, 834.BV, 834.CV) (834 C.146)		Gasolina	FWD	1995	110	150	12.88-03.92	■	
2000 i.e. 16V Turbo (834AL) (834 C1.246)		Gasolina	FWD	1995	130	177	04.89-03.93	■	
2000 i.e. 16V Turbo (834AL) (834 C1.000)		Gasolina	FWD	1995	133	181	12.88-06.90	■	
2000 Turbo 16V (834GC, 834FC) (834 F2.000)		Gasolina	FWD	1995	148	201	11.92-07.94	■	
3000 V6 (834GD, 834FD) (834 F.000)		Gasolina	FWD	2959	126	171	09.92-07.94	■	