

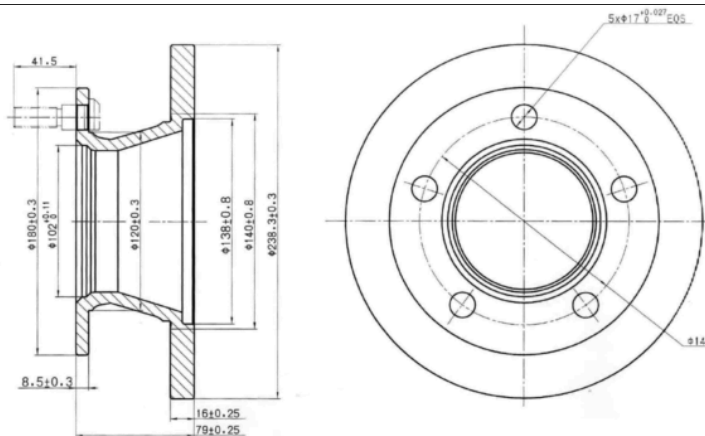
LISTA DE APLICACIONES - BUYERS GUIDE

78BD0372-1



Weight: 6.550

O.E.M.	MAKE
6314200372	MERCEDES-BENZ
6314200772	MERCEDES-BENZ
A6314200372	MERCEDES-BENZ
A6314200772	MERCEDES-BENZ



78BD0372-1



Ø238.3x16x120.5

MAKE
MERCEDES-BENZ
SSANGYONG



Trac.	CC	Kw	CV	Front / Rear
-------	----	----	----	--------------

MERCEDES-BENZ

							Bus (Minibus-M2-Segment)				
MB (W631) 02.88-04.96											
2.0 D (631.309, 631.308) (OM 615.963)		Diesel	FWD	1988	44	60	04.88-08.93	■			
2.0 D (631.309, 631.308) (OM 615.970)		Diesel	FWD	1988	44	60	04.88-08.93	■			
2.0 D (631.308) (OM 615.970)		Diesel	FWD	1988	45	61	09.93-04.96	■			
2.4 D (631.313) (OM 616)		Diesel	FWD	2399	41	56	12.90-12.94	■			
2.4 D (631.333, 631.343, 631.334, 631.344) (OM 616.963)		Diesel	FWD	2399	53	72	02.88-05.92	■			
2.4 D (631.333, 631.343, 631.334, 631.344) (OM 616)		Diesel	FWD	2399	55	75	12.90-02.96	■			
2.4 D (631.333, 631.343, 631.334, 631.344) (OM 616.963)		Diesel	FWD	2399	55	75	12.90-02.96	■			
MB (W631) 02.88-02.96							Platform/Chassis (LCVs-N1 Segment)				
D (631.340) (OM 616.963)		Diesel	FWD	2399	53	72	02.88-05.92	■			
D (631.340) (OM 616.963)		Diesel	FWD	2399	55	75	12.90-02.96	■			
MB (W631) 02.88-09.96							Van (LCVs-N1 Segment)				
2.0 D (631.307) (OM 615.970)		Diesel	FWD	1988	44	60	04.88-08.93	■			
2.0 D (631.307) (OM 615.970)		Diesel	FWD	1988	45	61	09.93-04.96	■			
D (631.332, 631.342) (OM 616.963)		Diesel	FWD	2399	53	72	02.88-05.92	■			
D (631.332, 631.342) (OM 616.963)		Diesel	FWD	2399	55	75	12.90-02.96	■			
2.4 D (631.372)		Diesel	FWD	2399	56	76	01.93-01.96	■			
MB II (KPA) 11.99-05.05							Van (LCVs-N1 Segment)				
2.3 i		Gasolina	FWD	2295	90	122	11.99-05.05	■			
2.3 i		Gasolina	FWD	2295	90	122	11.99-05.05	■			
2.3 D		Diesel	RWD	2299	58	79	11.99-01.03	■			

LISTA DE APLICACIONES - BUYERS GUIDE

100 2.4 D	Diesel	FWD	2399	53	72	11.99-12.02	■
2.9 D	Diesel	RWD	2874	70	95	10.01-05.05	■
2.9 D	Diesel	RWD	2874	70	95	10.01-05.05	■

SSANGYONG

ISTANA 10.92-05.95							Bus (Minibus-M2-Segment)	
2.3	Gasolina	FWD	2295	110	150	06.95-11.03	■	
2.9 TD (OM 602.940)	Diesel	RWD	2874	70	95	10.92-05.95	■	
2.9 D (OM 602.980)	Diesel	RWD	2874	90	122	06.95-11.03	■	
ISTANA 10.92-05.95							Van (LCVs-N1 Segment)	
2.9 D (OM 602.940)	Diesel	RWD	2874	70	95	10.92-05.95	■	
2.9 D (OM 602.980)	Diesel	RWD	2874	90	122	06.95-11.03	■	