

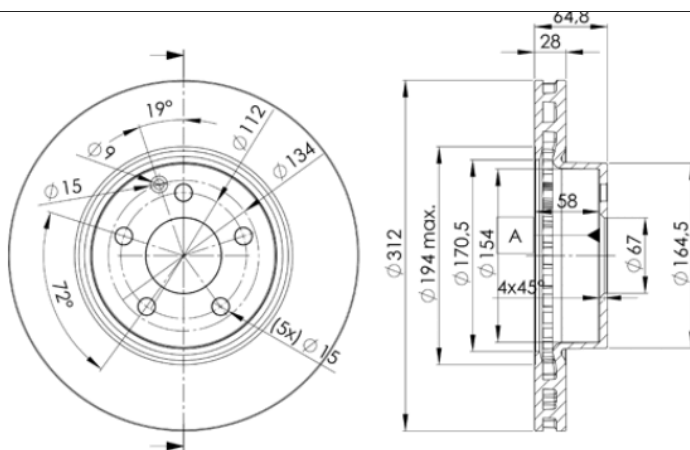
LISTA DE APLICACIONES - BUYERS GUIDE

78BD0414-2



Weight: 17.956

O.E.M.	MAKE
211 421 0912	MERCEDES-BENZ



78BD0414-2

E1 90R-02C0452/0085



Ø312x28x64.8

MAKE
MERCEDES-BENZ



Trac.	CC	Kw	CV						
						Front / Rear			

MERCEDES-BENZ

CLS-Class (C219) 10.04-12.12

Coupe (Executive car-E Segment)

CLS 320 CDI (219.322) (OM 642.920)	Diesel	RWD	2987	155	211	01.05-12.10			
CLS 320 CDI (219.322) (OM 642.920)	Diesel	RWD	2987	165	224	01.05-12.10			
CLS 350 CDI (219.322) (OM 642.920)	Diesel	RWD	2987	165	224	04.09-12.10			

E-Class III (VF211) 03.03-07.09

Platform/Chassis (LCVs-N1 Segment)

E 270 CDI (211.616) (OM 647.961)	Diesel	RWD	2685	120	163	03.03-07.09			
E 270 CDI (211.616) (OM 647.961)	Diesel	RWD	2685	130	177	10.03-07.05			
E 280 CDI (211.620) (OM 642.920)	Diesel	RWD	2987	140	190	08.05-07.09			

E-Class III (W211) 03.02-03.09

Saloon (Executive car-E Segment)

E 320 (211.065) (M 112.949)	Gasolina	RWD	3199	165	224	03.02-12.08			
E 320 4-matic (211.082) (M 112.954)	Gasolina	4WD	3199	165	224	03.03-12.08			
E 350 4-matic (211.087) (M 272.972)	Gasolina	4WD	3498	200	272	03.05-12.08			
3.5	Gasolina	FWD	3498	205	279	08.04-08.06			
E 500 4-matic (211.083) (M 113.969)	Gasolina	4WD	4966	225	306	10.03-12.08			
E 300 BlueTEC (211.024) (OM 642.920)	sports package	Diesel	RWD	2987	155	211	09.07-12.08		
E320 CDI (211.022) (OM 642.920)	Diesel	RWD	2987	165	224	03.05-12.08			
E 320 CDI 4-matic (211.089) (OM 642.910)	Diesel	4WD	2987	165	224	03.05-12.08			
E 320 CDI 4-matic (211.089) (OM 642.921)	Diesel	4WD	2987	165	224	03.05-12.08			
E 320 CDI (211.026) (OM 648.961)	Diesel	RWD	3222	150	204	11.02-12.08			

E-Class III T-Model (S211) 02.03-07.09

Estate (Executive car-E Segment)

E 320 T (211.265) (M 112.949)	Gasolina	RWD	3199	165	224	03.03-07.09			
E 320 T 4-matic (211.282) (M 112.954)	Gasolina	4WD	3199	165	224	07.03-07.09			
E 350 T (211.256) (M 272.964)	Gasolina	RWD	3498	200	272	03.05-07.09			

LISTA DE APLICACIONES - BUYERS GUIDE

E 350 T 4-matic (211.287) (M 272.972)		Gasolina	4WD	3498	200	272	03.05-07.09	■
350 CGI (211.257) (M 272.985)	not sport chassis	Gasolina	RWD	3498	215	292	05.06-07.09	■
E 320 T CDI (211.222) (OM 642.920)		Diesel	RWD	2987	155	211	11.07-07.09	■
E 320 T CDI (211.222) (OM 642.920)		Diesel	RWD	2987	165	224	03.05-07.09	■
E 320 T CDI 4-matic (211.289) (OM 642.921)		Diesel	4WD	2987	165	224	03.05-07.09	■
E 320 T CDI (211.226) (OM 648.961)		Diesel	RWD	3222	150	204	03.03-07.09	■