

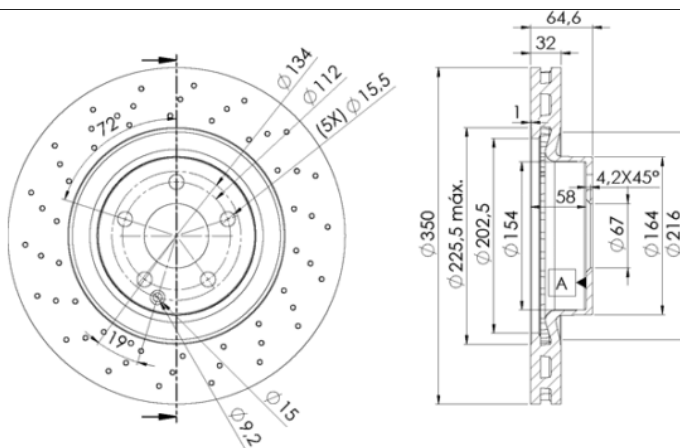
LISTA DE APLICACIONES - BUYERS GUIDE

78BD0419-1



Weight: 13.230

| O.E.M. | MAKE |
|---------------|---------------|
| 221 421 00 12 | MERCEDES-BENZ |
| 221 421 11 12 | MERCEDES-BENZ |



78BD0419-1



Ø350x32x64.6

| MAKE |
|---------------|
| MERCEDES-BENZ |



| Trac. | CC | Kw | CV |
|-------|----|----|----|
|-------|----|----|----|



Front / Rear

MERCEDES-BENZ

| E-Class III (W211) 03.02-03.09 | | | | | | | Saloon (Executive car-E Segment) | | | |
|--|----------------|---------------|-----|------|-----|-----|----------------------------------|--|--|--|
| E 500 (211.072) (M 273.960) | sports package | Gasolina | RWD | 5461 | 285 | 388 | 04.06-12.08 | | | |
| E 420 CDI (211.029) (OM 629.910) | sports package | Diesel | RWD | 3996 | 231 | 314 | 01.06-12.08 | | | |
| E-Class III T-Model (S211) 02.03-07.09 | | | | | | | Estate (Executive car-E Segment) | | | |
| E 500 T (211.272) (M 273.960) | sports package | Gasolina | RWD | 5461 | 285 | 388 | 04.06-07.09 | | | |
| S-Class V (C216) 05.06-12.13 | | | | | | | Coupe (Luxury car-F Segment) | | | |
| CL 500 (216.373) (M 278.920) | | Gasolina | RWD | 4663 | 320 | 435 | 02.11-12.13 | | | |
| CL 500 4-matic (216.394) (M 278.920) | | Gasolina | 4WD | 4663 | 320 | 435 | 02.11-12.13 | | | |
| CL 500 (216.371) (M 273.961) | | Gasolina | RWD | 5461 | 285 | 388 | 06.06-12.13 | | | |
| CL 500 4-matic (216.386) (M 273.968) | -09/10 | Gasolina | 4WD | 5461 | 285 | 388 | 02.08-12.13 | | | |
| CL 600 (216.376) (M 275.953) | | Gasolina | RWD | 5513 | 380 | 517 | 05.06-12.13 | | | |
| S-Class V (W221, V221) 09.05-12.17 | | | | | | | Saloon (Luxury car-F Segment) | | | |
| S 350 CGI (221.057, 221.157) (M 276.950) | sports package | Gasolina | RWD | 3498 | 225 | 306 | 04.11-12.13 | | | |
| S 350 CGI 4-matic (221.082, 221.182) (M 276.950) | sports package | Gasolina | 4WD | 3498 | 225 | 306 | 04.11-12.13 | | | |
| S 450, S 450 L (221.070, 221.170) (M 273.922) | | Gasolina | RWD | 4663 | 250 | 340 | 12.05-12.13 | | | |
| S 450 4-matic (221.084, 221.184) (M 273.924) | | Gasolina | 4WD | 4663 | 250 | 340 | 12.05-12.13 | | | |
| S 500 (221.071, 221.171) (M 273.961) | | Gasolina | RWD | 5461 | 285 | 388 | 10.05-12.13 | | | |
| S 500 4-matic (221.086, 221.186) (M 273.961) | | Gasolina | 4WD | 5461 | 285 | 388 | 10.05-12.13 | | | |
| S 500 4-matic (221.086, 221.186) (M 273.968) | | Gasolina | 4WD | 5461 | 285 | 388 | 10.05-12.13 | | | |
| S 600 (221.176) (M 275.953) | | Gasolina | RWD | 5513 | 380 | 517 | 12.05-12.13 | | | |
| S 400 Hybrid | | Gasol./el éc. | RWD | 3498 | 220 | 299 | 09.09-12.13 | | | |
| S 250 CDI (221.003, 221.103) (OM 651.961) | sports package | Diesel | RWD | 2143 | 150 | 204 | 01.11-12.13 | | | |

LISTA DE APLICACIONES - BUYERS GUIDE

| | | | | | | | | | |
|---|----------------|----------|-----|------|-----|-----|---|---|--|
| S 320 CDI (221.122, 221.022) (OM 642.930) | | Diesel | RWD | 2987 | 155 | 211 | 10.05-12.13 | ■ | |
| S 320 CDI 4-matic (221.080, 221.180) (OM 642.932) | | Diesel | 4WD | 2987 | 155 | 211 | 10.05-12.13 | ■ | |
| S 350 CDI (221.122, 221.022) (OM 642.930) | | Diesel | RWD | 2987 | 155 | 211 | 06.09-12.13 | ■ | |
| S 350 CDI 4-matic (221.080, 221.180) (OM 642.932) | | Diesel | 4WD | 2987 | 155 | 211 | 01.09-12.10 | ■ | |
| S 320 CDI 4-matic (221.080, 221.180) (OM 642.932) | | Diesel | 4WD | 2987 | 173 | 235 | 10.06-12.13 | ■ | |
| S 350 CDI (221.022, 221.122) (OM 642.930) | | Diesel | RWD | 2987 | 173 | 235 | 06.09-12.13 | ■ | |
| S 350 CDI 4-matic (221.080, 221.180) (OM 642.932) | | Diesel | 4WD | 2987 | 173 | 235 | 06.09-07.13 | ■ | |
| S 350 BlueTec (221.026, 221.126) (OM 642.862) | sports package | Diesel | RWD | 2987 | 190 | 258 | 04.11-12.13 | ■ | |
| S 350 BlueTEC 4-matic (222.133) (OM 642.868) | sports package | Diesel | 4WD | 2987 | 190 | 258 | 04.11-12.13 | ■ | |
| S 420 CDI (221.028, 221.128) (OM 629.911) | | Diesel | RWD | 3996 | 235 | 320 | 10.06-12.09 | ■ | |
| S 450 CDI (221.028, 221.128) (OM 629.911) | | Diesel | RWD | 3996 | 235 | 320 | 01.09-12.13 | ■ | |
| SL-Class IV (R230) 10.01-12.13 | | | | | | | Convertible (Grand Tourer-S Segment) | | |
| 280 (230.454) (M 272.949) | ch- 153742 | Gasolina | RWD | 2996 | 170 | 231 | 03.08-01.12 | ■ | |
| 300 (230.454) (M 272.949) | | Gasolina | RWD | 2996 | 170 | 231 | 04.09-01.12 | ■ | |
| 350 (230.456) (M 272.966) | sports package | Gasolina | RWD | 3498 | 200 | 272 | 03.06-01.12 | ■ | |
| 350 (230.458) (M 272.968) | ch- 153742 | Gasolina | RWD | 3498 | 232 | 316 | 04.08-01.12 | ■ | |
| 500 (230.471) (M 273.965) | | Gasolina | RWD | 5461 | 285 | 388 | 03.06-01.12 | ■ | |
| 600 (230.477) (M 275.954) | | Gasolina | RWD | 5513 | 380 | 517 | 03.06-01.12 | ■ | |