

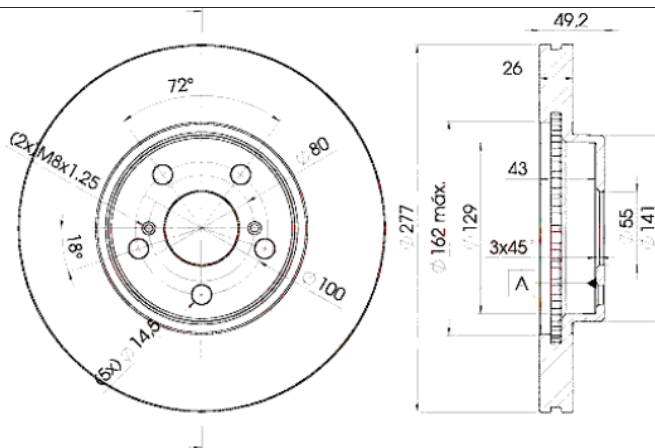
LISTA DE APLICACIONES - BUYERS GUIDE

78BD0504-2



Weight: 14.044

O.E.M.	MAKE
43512-05040	TOYOTA



78BD0504-2

E1 90R-02C0452/0078



Ø277x26x49.2

MAKE
TOYOTA



Trac.	CC	Kw	CV
-------	----	----	----



Front / Rear

TOYOTA

							Estate (Large family car-D Segment)					
AVENSIS II (_T25_) 04.03-11.08												
1.6 VVT-i (ZZT250_, ZZT250R) (3ZZ-FE)		Gasolina	FWD	1598	81	110	04.03-11.08		■			
1.8 VVT-i (ZZT251_, ZZT251R) (1ZZ-FE)		Gasolina	FWD	1794	95	129	04.03-11.08		■			
2.0 VVT-i (AZT250_, AZT250R) (1AZ-FSE)		Gasolina	FWD	1998	108	147	04.03-11.08		■			
AVENSIS II (_T25_) 03.03-11.08							Hatchback (Large family car-D Segment)					
1.6 VVT-i (ZZT250_, ZZT250R) (3ZZ-FE)		Gasolina	FWD	1598	81	110	04.03-11.08		■			
1.8 VVT-i (ZZT251_, ZZT251R) (1ZZ-FE)		Gasolina	FWD	1794	95	129	03.03-10.08		■			
2.0 VVT-i (AZT250_, AZT250R) (1AZ-FSE)		Gasolina	FWD	1998	108	147	03.03-11.08		■			
2.0 VVTi (AZT250_)		Gasolina	FWD	1998	114	155	03.03-10.08		■			
AVENSIS II (_T25_) 01.03-04.09							Saloon (Large family car-D Segment)					
1.6 VVT-i (ZZT250_, ZZT250R) (3ZZ-FE)		Gasolina	FWD	1598	81	110	04.03-11.08		■			
1.8 VVT-i (ZZT251_, ZZT251R) (1ZZ-FE)		Gasolina	FWD	1794	95	129	04.03-11.08		■			
2.0 VVT-i (AZT250_, AZT250R) (1AZ-FSE)		Gasolina	FWD	1998	108	147	04.03-11.08		■			