

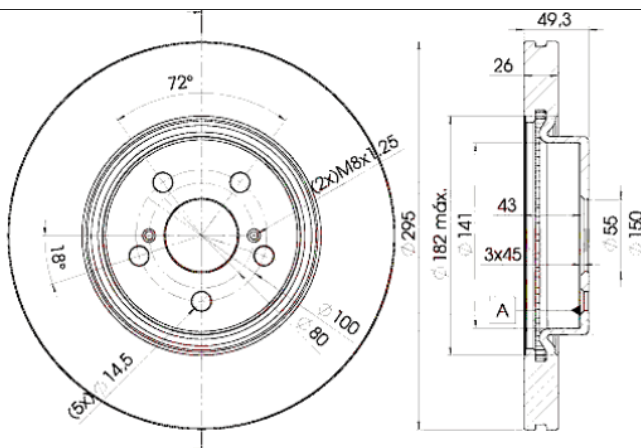
LISTA DE APLICACIONES - BUYERS GUIDE

78BD0505-2



Weight: 15.620

O.E.M.	MAKE
43512-05050	TOYOTA
43512-05070	TOYOTA
4351205110	TOYOTA
43512YZZAB	TOYOTA



78BD0505-2

E1 90R-02C0452/0080



Ø295x26x49.3

MAKE
TOYOTA



Trac.	CC	Kw	CV
-------	----	----	----



Front / Rear

TOYOTA

							Estate (Large family car-D Segment)				
AVENSIS II (_T25_) 04.03-11.08											
2.4 VVT-i (AZT251_, AZT251R) (2AZ-FSE)		Gasolina	FWD	2362	120	163	10.03-10.08	■			
2.4 VVT-i (AZT251_, AZT251R) (2AZ-FSE)		Gasolina	FWD	2362	125	170	09.03-11.08	■			
2.0 D-4D (CDT250_, CDT250R) (1CD-FTV)		Diesel	FWD	1995	85	116	04.03-11.08	■			
2.0 D-4D (ADT250_, ADT250R) (1AD-FTV)		Diesel	FWD	1998	93	126	03.06-11.08	■			
AVENSIS II (_T25_) 03.03-11.08							Hatchback (Large family car-D Segment)				
2.4 VVT-i (AZT251_, AZT251R) (2AZ-FSE)		Gasolina	FWD	2362	120	163	10.03-10.08	■			
2.4 VVT-i (AZT251_, AZT251R) (2AZ-FSE)		Gasolina	FWD	2362	125	170	09.03-11.08	■			
2.0 D-4D (CDT250_, CDT250R) (1CD-FTV)		Diesel	FWD	1995	85	116	04.03-11.08	■			
2.0 D-4D (ADT250_, ADT250R) (1AD-FTV)		Diesel	FWD	1998	93	126	03.06-11.08	■			
AVENSIS II (_T25_) 01.03-04.09							Saloon (Large family car-D Segment)				
2.4 VVT-i (AZT251_, AZT251R) (2AZ-FSE)		Gasolina	FWD	2362	120	163	10.03-10.08	■			
2.4 VVT-i (AZT251_, AZT251R) (2AZ-FSE)		Gasolina	FWD	2362	125	170	09.03-11.08	■			
2.0 D-4D (CDT250_, CDT250R) (1CD-FTV)		Diesel	FWD	1995	85	116	04.03-11.08	■			
2.0 D-4D (ADT250_, ADT250R) (1AD-FTV)		Diesel	FWD	1998	93	126	03.06-10.08	■			
COROLLA IX-X (ZER_, ZZE12_, R1_) 03.04-10.09							MPV (Compact MPV-M1 Segment)				
1.6 (ZNR10_, ZNR10R) (3ZZ-FE)		Gasolina	FWD	1598	81	110	04.04-03.09	■			
1.8 (ZNR11_, ZNR11R) (1ZZ-FE)		Gasolina	FWD	1794	95	129	04.04-03.09	■			
2.0 D-4D (CUR10_, CUR10R) (1CD-FTV)		Diesel	FWD	1995	85	116	04.04-03.09	■			
2.2 D-4D (AUR10_, AUR10R) (2AD-FHV)		Diesel	FWD	2231	130	177	10.05-03.09	■			