

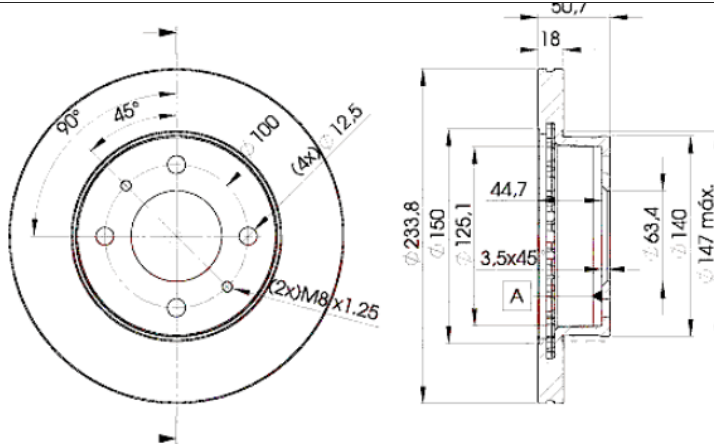
LISTA DE APLICACIONES - BUYERS GUIDE

78BD0550-2



Weight: 7.564

O.E.M.	MAKE
5171202501	HYUNDAI
51712-02550	HYUNDAI
51712-02551	HYUNDAI



78BD0550-2



Ø233.8x18x50.7

MAKE
HYUNDAI



Trac.	CC	Kw	CV
-------	----	----	----



HYUNDAI

ATOS / AMICA / ATOZ / SANTRO XING (MX) 01.97-

Hatchback (City car-A Segment)

Engine	Trac.	CC	Kw	CV	Period	Availability
0.8	Gasolina	FWD	798	38	52 04.99-07.03	■
0.8	Gasolina	FWD	798	40	54 01.97-12.02	■
1.0 i (G4HC)	Gasolina	FWD	999	40	54 02.98-12.00	■
1.0 i (G4HC)	Gasolina	FWD	999	41	56 02.98-03.02	■
1.0 i (G4HC)	Gasolina	FWD	999	43	58 03.01-07.03	■
1.0	Gasolina	FWD	999	46	63 09.05-08.08	■
1.1 (G4HD)	Gasolina	FWD	1086	43	58 08.03-12.08	■
1.1 (G4HG)	Gasolina	FWD	1086	45	61 06.03-12.10	■
1.1 (G4HG)	Gasolina	FWD	1086	46	63 08.03-12.08	■
1.1 CNG	Gasolina	FWD	1086	46	63 07.07-	■
1.1 LPG	Gasolina	FWD	1086	46	63 07.07-	■
1.3	Gasolina	FWD	1341	63	85 08.03-08.08	■

ATOS PRIME / AMICA (MX) 01.97-

Hatchback (City car-A Segment)

Engine	Trac.	CC	Kw	CV	Period	Availability
1.0 i	Gasolina	FWD	999	40	54 08.99-	■
1.0 i	Gasolina	FWD	999	43	58 03.01-	■
1.1	Gasolina	FWD	1086	43	59 06.03-	■
1.1	Gasolina	FWD	1086	46	63 09.05-	■

VISTO 11.97-10.00

Hatchback (City car-A Segment)

Engine	Trac.	CC	Kw	CV	Period	Availability
0.8 (F8CN)	Gasolina	FWD	796	38	52 11.97-10.00	■