

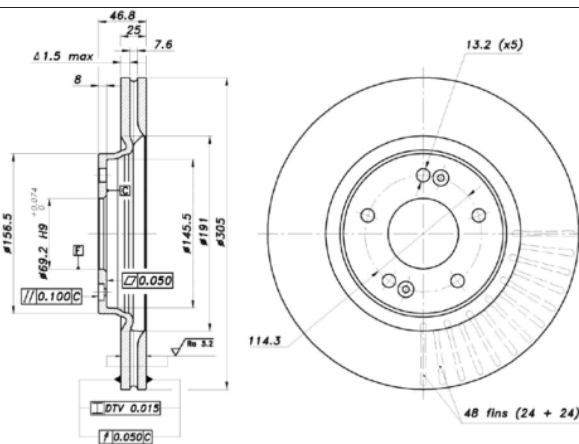
LISTA DE APLICACIONES - BUYERS GUIDE

78BD0578-2



Weight: 15.660

O.E.M.	MAKE
51712C1000	HYUNDAI
51712C2000	HYUNDAI
51712D7000	KIA
51712J9100	HYUNDAI
6178110	KAROSA
S51712D7000E	KIA



78BD0578-2



Ø305x25x46.8

MAKE
HYUNDAI
HYUNDAI (BEIJING)
KIA



Trac.	CC	Kw	CV						
						Front / Rear			

HYUNDAI

ELANTRA IV / AVANTE (HD) 11.05-12.13						Saloon (Compact car-C Segment)			
1.6 CVVT	Syst. 16	Gasolina	FWD	1591	89	121	01.06-12.13	■	
i30 III (PDE) 11.16-						Hatchback Van (Compact car-C Segment)			
1.0 T-GDI (G3LC)	Syst. 16	Gasolina	FWD	998	88	120	11.16-	■	
1.4 T-GDI (G4LD)	Syst. 16	Gasolina	FWD	1353	103	140	11.16-12.20	■	
i30 III (PDE, PD, PDEN) 11.16-						Hatchback (Compact car-C Segment)			
1.0 T-GDI (G3LC)	Syst. 16	Gasolina	FWD	998	88	120	11.16-	■	
1.0 T-GDI (G3LC)	Syst. 16	Gasolina	FWD	998	88	120	06.17-	■	
1.4 T-GDI (G4LD)	Syst. 16	Gasolina	FWD	1353	103	140	11.16-12.20	■	
1.4 T-GDI (G4LD)	Syst. 16	Gasolina	FWD	1353	103	140	06.17-	■	
1.4 MPI (G4LC)	Syst. 16	Gasolina	FWD	1368	74	100	11.16-12.20	■	
1.5 (G4LG)	Syst. 16	Gasolina	FWD	1498	81	110	06.20-	■	
1.6 16V	Syst. 16	Gasolina	FWD	1591	94	128	07.17-	■	
1.6 T-GDI	Syst. 16	Gasolina	FWD	1591	150	204	11.16-	■	
2.0	Syst. 16	Gasolina	FWD	1999	120	163	11.16-	■	
1.0 T-GDI hybrid 48V (G3LC)	Syst. 16	Gasol./el éc.	FWD	998	88	120	03.20-	■	
1.0 T-GDI hybrid 48V (G3LC)	Syst. 16	Gasol./el éc.	FWD	998	88	120	06.20-	■	
1.5 T-GDI Hybrid 48V (G4LH)	Syst. 16	Gasol./el éc.	FWD	1482	118	160	03.20-	■	
1.5 T-GDI Hybrid 48V (G4LH)	Syst. 16	Gasol./el éc.	FWD	1482	118	160	03.20-	■	
1.6 CRDi hybrid 48V (D4FE)	Syst. 16	Diesel/el éc.	FWD	1598	100	136	03.20-	■	

LISTA DE APLICACIONES - BUYERS GUIDE

1.6 CRDi hybrid 48V (D4FE)	Syst. 16	Diesel/el éc.	FWD	1598	100	136	03.20-	■	
1.6 CRDI (D4FB)	Syst. 16	Diesel	FWD	1582	70	95	11.16-	■	
1.6 CRDI (D4FB)	Syst. 16	Diesel	FWD	1582	81	110	11.16-	■	
1.6 CRDI (D4FB)	Syst. 16	Diesel	FWD	1582	100	136	11.16-	■	
1.6 CRDI (D4FB)	Syst. 16	Diesel	FWD	1582	100	136	12.17-01.22	■	
1.6 CRDI (D4FE)	Syst. 16	Diesel	FWD	1598	70	95	08.18-	■	
1.6 CRDI (D4FE)	Syst. 16	Diesel	FWD	1598	81	110	08.18-	■	
1.6 CRDI (D4FE)	Syst. 16	Diesel	FWD	1598	85	116	08.18-	■	
1.6 CRDI (D4FE)	Syst. 16	Diesel	FWD	1598	100	136	08.18-	■	
1.6 CRDI	Syst. 16	Diesel	FWD	1598	100	136	09.18-	■	
i30 III Combi Van (PDE) 03.17-							Estate Van (Compact car-C Segment)		
1.0 T-GDI (G3LC)	Syst. 16	Gasolina	FWD	998	88	120	03.17-	■	
1.4 T-GDI (G4LD)	Syst. 16	Gasolina	FWD	1353	103	140	03.17-12.20	■	
1.6 CRDi VGT (D4FB)	Syst. 16	Diesel	FWD	1582	81	110	03.17-	■	
1.6 CRDi VGT (D4FB)	Syst. 16	Diesel	FWD	1582	100	136	03.17-	■	
i30 III CW (PDE) 03.17-							Estate (Compact car-C Segment)		
1.0 T-GDI (G3LC)	Syst. 16	Gasolina	FWD	998	88	120	03.17-	■	
1.4 T-GDI (G4LD)	Syst. 16	Gasolina	FWD	1353	103	140	03.17-12.20	■	
1.4 MPI	Syst. 16	Gasolina	FWD	1368	74	101	03.17-12.20	■	
1.5 (G4LG)	Syst. 16	Gasolina	FWD	1498	81	110	06.20-	■	
1.0 T-GDI hybrid 48V (G3LC)	Syst. 16	Gasol./el éc.	FWD	998	88	120	03.20-	■	
1.5 T-GDI Hybrid 48V (G4LH)	Syst. 16	Gasol./el éc.	FWD	1482	118	160	03.20-	■	
1.6 CRDi hybrid 48V (D4FE)	Syst. 16	Diesel/el éc.	FWD	1598	100	136	03.20-	■	
1.6 CRDI (D4FB)	Syst. 16	Diesel	FWD	1582	81	110	03.17-	■	
1.6 CRDI (D4FB)	Syst. 16	Diesel	FWD	1582	94	128	08.18-	■	
1.6 CRDI (D4FB)	Syst. 16	Diesel	FWD	1582	100	136	03.17-	■	
1.6 CRDI (D4FE)	Syst. 16	Diesel	FWD	1598	81	110	08.18-	■	
1.6 CRDI (D4FE)	Syst. 16	Diesel	FWD	1598	85	116	08.18-	■	
1.6 CRDI (D4FE)	Syst. 16	Diesel	FWD	1598	100	136	08.18-	■	
KONA (OS, OSE, OSI) 06.17-							SUV Van (Subcompact SUV-B Segment)		
1.0 T-GDI (G3LC)	Syst. 16	Gasolina	FWD	998	88	120	07.17-	■	
1.6 GDI Hybrid (G4LE)	Syst. 16	Gasol./el éc.	FWD	1580	104	141	06.19-	■	
EV (EM16)		Eléctrico	FWD		150	204	04.18-	■	
KONA (OS, OSE, OSI) 06.17-							SUV (Subcompact SUV-B Segment)		
1.0 T-GDI (G3LC)	Syst. 16	Gasolina	FWD	998	88	120	07.17-04.23	■	
1.6 T-GDI (G4FJ)	Syst. 16	Gasolina	FWD	1591	130	177	07.17-12.20	■	
1.6 T-GDi 4WD (G4FJ)	Syst. 16	Gasolina	4WD	1591	130	177	06.17-03.23	■	
1.6 T-GDI	Syst. 16	Gasolina	FWD	1598	146	199	11.20-04.23	■	
1.6 T-GDi 4WD	Syst. 16	Gasolina	4WD	1598	146	199	11.20-04.23	■	
2.0 (G4NH)	Syst. 16	Gasolina	FWD	1999	110	150	07.17-03.23	■	
2.0 (G4NS)	Rim 16	Gasolina	FWD	1999	110	149	01.21-03.23	■	
2.0 4WD (G4NS)	Rim 16	Gasolina	4WD	1999	110	149	01.21-03.23	■	
2.0 AWD (G4NH)	Rim 16	Gasolina	4WD	1999	110	150	07.17-04.23	■	
2.0 MPI		Gasolina	FWD	1999	110	150	04.23-	■	
1.0 T-GDI hybrid 48V	Syst. 16	Gasol./el éc.	FWD	998	88	120	11.20-04.23	■	
1.6 GDI Hybrid (G4LE)		Gasol./el éc.	FWD	1580	104	141	09.19-04.23	■	

LISTA DE APLICACIONES - BUYERS GUIDE

GDI Hybrid (G4LL)		Gasol./el éc.	FWD	1580	104	141	01.23-	■	
EV (EM)		Eléctrico	FWD		100	136	04.18-04.23	■	
EV (EM16)		Eléctrico	FWD		150	204	04.18-03.23	■	
1.6 CRDi hybrid 48V	Syst. 16	Diesel/el éc.	FWD	1598	100	136	11.20-08.21	■	
1.6 CRDi Hybrid 48V 4WD	Syst. 16	Diesel/el éc.	4WD	1598	100	136	11.20-08.21	■	
1.6 CRDi e-VGT (D4FB)	Syst. 16	Diesel	FWD	1582	100	136	07.17-	■	
1.6 CRDi e-VGT AWD (D4FB)	Syst. 16	Diesel	4WD	1582	100	136	07.17-	■	
1.6 CRDi (D4FE)	Syst. 16	Diesel	FWD	1598	85	116	08.18-11.20	■	
1.6 CRDi e-VGT (D4FE)	Syst. 16	Diesel	FWD	1598	100	136	08.18-08.21	■	
1.6 CRDi e-VGT AWD (D4FE)	Syst. 16	Diesel	4WD	1598	100	136	08.18-08.21	■	
SONATA VII (LF) 03.14-06.23					Saloon (Executive car-E Segment)				
1.6 (G4FJ)		Gasolina	FWD	1591	132	180	01.15-	■	
1.6 (G4FJ)		Gasolina	FWD	1591	133	181	09.14-12.19	■	
2.0 Hybrid		Gasol./el éc.	FWD	1999	110	150	09.14-12.19	■	
2.0 Hybrid		Gasol./el éc.	FWD	1999	144	196	08.15-12.19	■	
2.0 Hybrid (G4NG)		Gasol./el éc.	FWD	1999	150	204	09.15-12.19	■	
1.7 CRDi		Diesel	FWD	1685	104	141	01.15-12.19	■	
TUCSON III (TLE) 05.15-					SUV Van (Compact SUV-J Segment)				
1.6 T-GDI (G4FJ)		Gasolina	FWD	1591	130	177	06.15-12.20	■	
1.6 CRDi (D4FE)		Diesel	FWD	1598	100	136	08.18-12.20	■	
TUCSON III (TL, TLE) 05.15-					SUV (Compact SUV-J Segment)				
1.6 GDI (G4FD)		Gasolina	FWD	1591	96	130	06.15-09.20	■	
1.6 GDI (G4FD)	Syst. 16	Gasolina	FWD	1591	97	132	06.15-09.20	■	
1.6 Gdi A las 4 ruedas		Gasolina	4WD	1591	97	132	11.17-	■	
1.6 T-GDI (G4FJ)		Gasolina	FWD	1591	129	175	01.16-09.20	■	
1.6 T-GDI A las 4 ruedas		Gasolina	4WD	1591	129	175	01.16-	■	
1.6 T-GDI (G4FJ)	Syst. 16	Gasolina	FWD	1591	130	177	06.15-05.23	■	
1.6 T-GDI A las 4 ruedas (G4FJ)	Syst. 16	Gasolina	4WD	1591	130	177	06.15-09.20	■	
1.6 T-GDI (G4FJ)		Gasolina	FWD	1591	131	178	06.15-09.20	■	
1.6 T-GDI (G4FJ)		Gasolina	FWD	1591	150	204	03.18-09.20	■	
2.0 CVVT (G4NA)		Gasolina	FWD	1999	110	150	06.15-09.20	■	
2.0 CVVT A las 4 ruedas (G4NA)	Syst. 16	Gasolina	4WD	1999	110	150	06.15-09.20	■	
2.0 (G4NA)	Syst. 16	Gasolina	FWD	1999	114	155	06.15-09.20	■	
2.0 Alas 4 ruedas (G4NA)		Gasolina	4WD	1999	114	155	06.15-09.20	■	
2.0		Gasolina	FWD	1999	115	156	06.15-09.20	■	
2.0 Alas 4 ruedas (G4NA)		Gasolina	4WD	1999	115	156	06.15-09.20	■	
2.0 GDI (G4NC)		Gasolina	FWD	1999	121	165	06.15-09.20	■	
2.0 GDi A las 4 ruedas (G4NC)		Gasolina	4WD	1999	121	165	06.15-09.20	■	
2.0 GDI		Gasolina	FWD	1999	122	166	09.15-09.20	■	
2.0 GDi A las 4 ruedas		Gasolina	4WD	1999	122	166	09.15-09.20	■	
2.4 GDI		Gasolina	FWD	2359	133	181	09.18-12.20	■	
2.4 GDI A las 4 ruedas (G4KJ)	Syst. 16	Gasolina	4WD	2359	135	184	07.19-09.20	■	
1.6 CRDi hybrid 48V (D4FE)	Syst. 16	Diesel/el éc.	FWD	1598	85	116	03.19-12.20	■	
1.6 CRDi hybrid 48V (D4FE)	Syst. 16	Diesel/el éc.	FWD	1598	100	136	03.19-12.20	■	
1.6 CRDi hybrid 48V A las 4 ruedas (D4FE)	Syst. 16	Diesel/el éc.	4WD	1598	100	136	03.19-12.20	■	
2.0 CRDi Hybrid 48V A las 4 ruedas (D4HA)	Syst. 16	Diesel/el éc.	4WD	1995	136	185	10.18-12.20	■	

LISTA DE APLICACIONES - BUYERS GUIDE

1.6 CRDI (D4FE)		Diesel	FWD	1598	85	116	08.18-09.20	■	
1.6 CRDi A las 4 ruedas (D4FE)	Syst. 16	Diesel	4WD	1598	85	116	08.18-09.20	■	
1.6 CRDI (D4FE)		Diesel	FWD	1598	100	136	08.18-12.20	■	
1.6 CRDi A las 4 ruedas (D4FE)		Diesel	4WD	1598	100	136	08.18-12.20	■	
1.7 CRDi (D4FD)		Diesel	FWD	1685	85	116	06.15-09.20	■	
1.7 CRDi (D4FD)		Diesel	FWD	1685	104	141	06.15-09.20	■	
2.0 CRDi (D4HA)	Syst. 16	Diesel	FWD	1995	100	136	06.15-09.20	■	
2.0 CRDi A las 4 ruedas (D4HA)	Syst. 16	Diesel	4WD	1995	100	136	06.15-09.20	■	
2.0 CRDi		Diesel	FWD	1995	129	175	06.15-	■	
2.0 CRDi A las 4 ruedas		Diesel	4WD	1995	129	175	06.15-09.20	■	
2.0 CRDi (D4HA)		Diesel	FWD	1995	131	178	06.15-09.20	■	
2.0 CRDi A las 4 ruedas (D4HA)		Diesel	4WD	1995	131	178	06.15-09.20	■	
2.0 CRDi (D4HA)		Diesel	FWD	1995	136	185	06.15-09.20	■	
2.0 CRDi A las 4 ruedas (D4HA)	Syst. 16	Diesel	4WD	1995	136	185	06.15-09.20	■	
2.0 CRDi (D4HA)		Diesel	FWD	1995	150	204	03.18-	■	
VELOSTER II (JS, JSN) 01.18-					Coupe (Supermini car-B Segment)				
1.4 T-GDI		Gasolina	FWD	1353	103	140	01.18-	■	
1.6 T-GDI (G4FJ)		Gasolina	FWD	1591	150	204	01.18-	■	
2.0 MPi (G4FC)	Syst. 16	Gasolina	FWD	1999	110	150	12.18-	■	
2.0 MPi (G4NH)	Syst. 16	Gasolina	FWD	1999	110	150	12.18-	■	
HYUNDAI (BEIJING)									
SONATA (LF) 03.15-					Saloon (Executive car-E Segment)				
2.4	Syst. 16	Gasolina	FWD	2359	139	189	03.15-	■	
TUCSON III (TL) 09.15-					SUV (Compact SUV-J Segment)				
1.6 TGDI		Gasolina	FWD	1591	130	177	09.15-	■	
1.6 TGDi A las 4 ruedas		Gasolina	4WD	1591	130	177	09.15-	■	
2.0 GDI		Gasolina	FWD	1999	121	165	09.15-	■	
KIA									
05.22-					SUV ()				
E-NIRO (EM16)		Eléctrico	FWD		150	204	05.22-	■	
CEE'D III (CD) 03.18-					Hatchback (Compact car-C Segment)				
1.0 T-GDI (G3LC)	Syst. 16	Gasolina	FWD	998	74	101	09.19-	■	
1.0 T-GDI (G3LC)	Syst. 16	Gasolina	FWD	998	88	120	03.18-	■	
1.4 T-GDI (G4LD)	Syst. 16	Gasolina	FWD	1353	103	140	03.18-12.20	■	
1.4 (G4LC)	Syst. 16	Gasolina	FWD	1368	73	99	03.18-12.20	■	
1.5 T-GDI	Syst. 16	Gasolina	FWD	1482	118	160	01.21-	■	
1.6 (G4FG)	Syst. 16	Gasolina	FWD	1591	94	128	03.18-	■	
1.4 LPG (G4LC)	Syst. 16	Gasol./Gas (LPG)	FWD	1368	71	97	12.18-12.20	■	
1.6 CRDi 115 Eco-Dynamics+ (D4FE)	Syst. 16	Diesel/el éc.	FWD	1598	85	116	12.19-	■	
1.6 CRDi 136 Eco-Dynamics+ (D4FE)	Syst. 16	Diesel/el éc.	FWD	1598	100	136	12.19-	■	
1.6 CRDi 115 (D4FE)	Syst. 16	Diesel	FWD	1598	85	116	03.18-	■	
1.6 CRDi 136 (D4FE)	Syst. 16	Diesel	FWD	1598	100	136	03.18-	■	
CEE'D III Combi Van (CD) 03.18-					Estate Van (Compact car-C Segment)				
T-GDI (G3LC)	Syst. 16	Gasolina	FWD	998	88	120	05.18-	■	
1.4 T-GDI (G4LD)	Syst. 16	Gasolina	FWD	1353	103	140	04.18-12.20	■	
GDI Hybrid (G4LE)		Gasol./el éc.	FWD	1580	104	141	12.19-	■	
CRDi 115 (D4FE)	Syst. 16	Diesel	FWD	1598	85	116	05.18-	■	

LISTA DE APLICACIONES - BUYERS GUIDE

CRDI 136 (D4FE)	Syst. 16	Diesel	FWD	1598	100	136	05.18-	■	
CEE'D III Sport Wagon (CD) 03.18-					Estate (Compact car-C Segment)				
1.0 T-GDI (G3LC)	Syst. 16	Gasolina	FWD	998	74	101	09.19-	■	
1.0 T-GDI (G3LC)	Syst. 16	Gasolina	FWD	998	88	120	05.18-	■	
1.4 T-GDI (G4LD)	Syst. 16	Gasolina	FWD	1353	103	140	04.18-12.20	■	
1.4 (G4LC)	Syst. 16	Gasolina	FWD	1368	73	99	04.18-12.20	■	
1.5 T-GDI	Syst. 16	Gasolina	FWD	1482	118	160	01.21-	■	
1.6 (G4FG)		Gasolina	FWD	1591	94	128	05.18-	■	
1.4 LPG (G4LC)	Syst. 16	Gasol./Gas (LPG)	FWD	1368	71	97	12.18-12.20	■	
1.6 GDI Hybrid (G4LE)		Gasol./el éc.	FWD	1580	104	141	12.19-	■	
1.6 CRDi 115 Eco-Dynamics+ (D4FE)	Syst. 16	Diesel/el éc.	FWD	1598	85	116	12.19-	■	
1.6 CRDi 136 Eco-Dynamics+ (D4FE)	Syst. 16	Diesel/el éc.	FWD	1598	100	136	12.19-	■	
1.6 CRDi 115 (D4FE)	Syst. 16	Diesel	FWD	1598	85	116	05.18-	■	
1.6 CRDi 136 (D4FE)	Syst. 16	Diesel	FWD	1598	100	136	05.18-	■	
CEE'D III Van (CD) 03.18-					Hatchback Van (Compact car-C Segment)				
T-GDI (G3LC)	Syst. 16	Gasolina	FWD	998	88	120	03.18-	■	
1.4 T-GDI (G4LD)	Syst. 16	Gasolina	FWD	1353	103	140	03.18-12.20	■	
T-GDI GT (G4FJ)	Syst. 16	Gasolina	FWD	1591	150	204	10.18-	■	
CRDi 115 (D4FE)	Syst. 16	Diesel	FWD	1598	85	116	03.18-	■	
CRDI 136 (D4FE)	Syst. 16	Diesel	FWD	1598	100	136	03.18-	■	
CERATO IV / FORTE IV / K3 (BD, BDM) 04.18-					Hatchback (Compact car-C Segment)				
2.0 MPi	Syst. 16	Gasolina	FWD	1999	110	150	10.18-	■	
2.0 MPi	Syst. 16	Gasolina	FWD	1999	112	152	10.18-	■	
CERATO IV / FORTE IV / K3 (BD, BDM) 02.18-					Saloon (Compact car-C Segment)				
1.6 MPi (G4FG)	Syst. 16	Gasolina	FWD	1591	94	128	02.18-	■	
1.6 MPi (G4FG)	Syst. 16	Gasolina	FWD	1591	96	131	10.18-	■	
2.0 MPi (G4NA)	Syst. 16	Gasolina	FWD	1999	110	150	02.18-	■	
2.0 MPi (G4NH)	Syst. 16	Gasolina	FWD	1999	110	150	02.18-	■	
2.0 MPi (G4NA)	Syst. 16	Gasolina	FWD	1999	112	152	02.18-	■	
1.6 TCi (D4FE)	Syst. 16	Diesel	FWD	1598	100	136	11.18-	■	
NIRO (DE) 09.16-					SUV (Mini SUV-J Segment)				
E-NIRO		Eléctrico	FWD		100	136	08.18-08.22	■	
E-NIRO (EM16)		Eléctrico	FWD		150	204	08.18-08.22	■	
OPTIMA III / K5 (FSGDS6B) 01.10-					Saloon (Executive car-E Segment)				
2.4 Hybrid (G4KC)		Gasol./el éc.	FWD	2359	153	208	09.13-12.16	■	
OPTIMA IV / K5 (JF) 09.15-					Saloon (Executive car-E Segment)				
2.4 MPi (G4KE)	not elec.brak.detent	Gasolina	FWD	2359	126	171	09.15-12.19	■	
2.4 MPi (G4KE)	not elec.brak.detent	Gasolina	FWD	2359	131	178	09.15-12.19	■	
2.4 GDI (G4KJ)	Syst. 17	Gasolina	FWD	2359	138	188	09.15-12.19	■	
2.0 Gdi Hybrid (G4NG)		Gasol./el éc.	FWD	1999	151	205	09.16-12.19	■	
OPTIMA IV / K5 Sport Wagon (JF) 09.16-					Estate (Executive car-E Segment)				
2.0 Gdi Hybrid (G4NG)		Gasol./el éc.	FWD	1999	151	205	04.17-12.19	■	
OPTIMA V / K5 (DL3) 12.19-					Saloon (Executive car-E Segment)				
2.0 LPG		LPG	FWD	1999	107	145	12.19-	■	

LISTA DE APLICACIONES - BUYERS GUIDE

1.6 T-GDI		Gasolina	FWD	1598	132	179	12.19-	■	
2.0		Gasolina	FWD	1999	118	160	12.19-	■	
2.0 Hybrid		Gasol./el éc.	FWD	1999	143	194	12.19-	■	
PRO CEE'D III (CD) 10.18-					Estate Van (Compact car-C Segment)				
1.4 T-GDI (G4LD)	Syst. 16	Gasolina	FWD	1353	103	140	10.18-12.20	■	
1.6 CRDi 136 (D4FE)	Syst. 16	Diesel	FWD	1598	100	136	10.18-	■	
PRO CEE'D III (CD) 10.18-					Estate (Compact car-C Segment)				
1.0 T-GDI (G3LC)	Syst. 16	Gasolina	FWD	998	88	120	10.18-	■	
1.4 T-GDI (G4LD)	Syst. 16	Gasolina	FWD	1353	103	140	10.18-12.20	■	
1.5 T-GDI		Gasolina	FWD	1482	118	160	01.21-	■	
1.6 CRDi 136 Eco-Dynamics+ (D4FE)	Syst. 16	Diesel/el éc.	FWD	1598	100	136	12.19-	■	
1.6 CRDi 136 (D4FE)	Syst. 16	Diesel	FWD	1598	100	136	10.18-	■	
SELTOS (SP2, SP2I) 08.19-					SUV (Compact SUV-J Segment)				
1.6 T-GDi (SP2)	Syst. 16	Gasolina	FWD	1591	130	177	09.19-	■	
1.6 T-GDi 4WD (SP2) (G4FJ)	Syst. 16	Gasolina	4WD	1591	130	177	09.19-06.22	■	
2.0 MPi (SP2) (G4NH)	Syst. 16	Gasolina	FWD	1999	110	150	08.19-	■	
2.0 MPi 4WD (SP2) (G4NH)		Gasolina	4WD	1999	110	150	08.19-	■	
1.6 (D4FE)	Rim 16	Diesel	FWD	1598	100	136	08.19-	■	
1.6 4WD (D4FE)	Rim 16	Diesel	4WD	1598	100	136	08.19-	■	
SOUL III (SK3) 01.19-					Hatchback (Mini MPV-M1 Segment)				
1.6 MPi (G4FG)	Syst. 16	Gasolina	FWD	1591	91	124	01.19-	■	
1.6 T-GDI (G4FJ)		Gasolina	FWD	1591	147	200	01.19-	■	
1.6 T-GDI		Gasolina	FWD	1591	150	204	01.19-	■	
2.0 MPi (G4NA)	Syst. 16	Gasolina	FWD	1999	110	150	01.19-	■	
2.0 MPi (G4NH)	Syst. 16	Gasolina	FWD	1999	110	150	01.19-	■	
E-SOUL		Eléctrico	FWD		100	136	01.19-	■	
E-SOUL (EM16)		Eléctrico	FWD		150	204	01.19-	■	
SOUL III Cargo (SK3) 06.20-					Hatchback Van (LCVs-N1 Segment)				
E-SOUL		Eléctrico	FWD		100	136	06.20-	■	
E-SOUL (EM16)		Eléctrico	FWD		150	204	06.20-	■	
SPORTAGE IV (QL, QLE) 09.15-					SUV Van (Compact SUV-J Segment)				
1.6 T-GDI (G4FJ)		Gasolina	FWD	1591	130	177	05.18-	■	
1.6 CRDi Eco-Dynamics+ AWD (D4FE)		Diesel/el éc.	FWD	1598	100	136	03.19-	■	
1.6 CRDi Eco-Dynamics+ AWD (D4FE)		Diesel/el éc.	4WD	1598	100	136	03.19-	■	
SPORTAGE IV (QL, QLE) 01.15-					SUV (Compact SUV-J Segment)				
1.6 GDI (G4FD)	Syst. 16	Gasolina	FWD	1591	97	132	09.15-09.22	■	
1.6 GDI (G4FD)	Syst. 16	Gasolina	FWD	1591	103	140	09.15-09.22	■	
1.6 T-GDI (G4FJ)	Syst. 16	Gasolina	FWD	1591	130	177	09.15-09.22	■	
1.6 T-GDI AWD (G4FJ)	Syst. 16	Gasolina	4WD	1591	130	177	09.15-09.22	■	
2.0 TGDI		Gasolina	FWD	1998	171	241	05.16-	■	
2.0 TGDI AWD (G4KH)		Gasolina	4WD	1998	177	241	05.16-	■	
2.0 TGDI (G4KH)		Gasolina	FWD	1998	179	243	05.16-	■	
2.0 TGDI AWD		Gasolina	4WD	1998	179	243	05.16-	■	
2.0 (G4NA)	Syst. 16	Gasolina	FWD	1999	110	150	12.15-09.22	■	
2.0 AWD (G4NA)		Gasolina	4WD	1999	110	150	12.15-09.22	■	
2.0 (G4NA)	Syst. 16	Gasolina	FWD	1999	114	155	12.15-09.22	■	
2.0 AWD (G4NA)	Syst. 16	Gasolina	4WD	1999	114	155	12.15-09.22	■	

LISTA DE APLICACIONES - BUYERS GUIDE

2.0 (G4NA)		Gasolina	FWD	1999	115	157	12.15-09.22	■
2.0 (G4NA)		Gasolina	FWD	1999	117	159	12.15-09.22	■
2.0 Flex		Gasolina	FWD	1999	123	167	06.16-	■
2.4 GDI (G4KJ)	Syst. 16	Gasolina	FWD	2359	135	184	05.16-09.22	■
2.4 GDI AWD	Syst. 16	Gasolina	4WD	2359	135	184	09.15-09.22	■
1.6 LPG (QLE) (G4FD)	Syst. 16	Gasol./Gas (LPG)	FWD	1591	93	126	07.20-09.22	■
2.0 Alcohol	Syst. 16	Gasol./Etanol	FWD	1999	114	155	12.15-09.22	■
1.6 CRDi Eco-Dynamics+ AWD (D4FE)	Syst. 16	Diesel/eléc.	FWD	1598	85	116	03.19-09.22	■
1.6 CRDi Eco-Dynamics+ AWD (D4FE)	Syst. 16	Diesel/eléc.	FWD	1598	100	136	03.19-09.22	■
1.6 CRDi Eco-Dynamics+ AWD (D4FE)	Syst. 16	Diesel/eléc.	4WD	1598	100	136	03.19-09.22	■
2.0 CRDi Eco-Dynamics+ AWD (D4HA)	Syst. 16	Diesel/eléc.	4WD	1995	136	185	06.18-09.22	■
1.6 CRDI (D4FE)	Syst. 16	Diesel	FWD	1598	85	116	07.18-09.22	■
1.6 CRDI (D4FE)	Syst. 16	Diesel	FWD	1598	100	136	07.18-09.22	■
1.6 CRDi AWD (D4FE)	Syst. 16	Diesel	4WD	1598	100	136	07.18-09.22	■
1.7 CRDi (D4FD)	Syst. 16	Diesel	FWD	1685	85	116	09.15-09.22	■
1.7 CRDi (D4FD)	Syst. 16	Diesel	FWD	1685	104	141	11.16-09.22	■
2.0 CRDi (D4HA)	Syst. 16	Diesel	FWD	1995	100	136	09.15-09.22	■
2.0 CRDi AWD (D4HA)		Diesel	4WD	1995	100	136	09.15-09.22	■
2.0 CRDi (D4HA)	Syst. 16	Diesel	FWD	1995	129	175	09.15-09.22	■
2.0 CRDi AWD	Syst. 16	Diesel	4WD	1995	129	175	09.15-09.22	■
2.0 CRDi (D4HA)	Syst. 16	Diesel	FWD	1995	131	178	09.15-09.22	■
2.0 CRDi AWD (D4HA)	Syst. 16	Diesel	4WD	1995	131	178	09.15-09.22	■
2.0 CRDi (D4HA)	Syst. 16	Diesel	FWD	1995	134	182	01.16-09.22	■
2.0 CRDi AWD	Syst. 16	Diesel	4WD	1995	134	182	01.16-09.22	■
2.0 CRDi (D4HA)	Syst. 16	Diesel	FWD	1995	136	185	09.15-09.22	■
2.0 CRDi AWD (D4HA)	Syst. 16	Diesel	4WD	1995	136	185	09.15-09.22	■
XCEED (CD) 06.19-					SUV Van (Compact SUV-J Segment)			
1.4 T-GDI (G4LD)	Syst. 16	Gasolina	FWD	1353	103	140	06.19-12.20	■
1.6 GDI Hybrid (G4LE)		Gasol./eléc.	FWD	1580	104	141	12.19-	■
1.6 CRDI (D4FE)	Syst. 16	Diesel	FWD	1598	100	136	06.19-	■
XCEED (CD) 06.19-					SUV (Compact SUV-J Segment)			
1.0 T-GDI (G3LC)	Syst. 16	Gasolina	FWD	998	88	120	06.19-	■
1.4 T-GDI (G4LD)	Syst. 16	Gasolina	FWD	1353	103	140	06.19-12.20	■
1.5 T-GDI	Syst. 16	Gasolina	FWD	1482	118	160	01.21-	■
1.0 T-GDI MHEV	Syst. 16	Gasol./eléc.	FWD	998	88	120	08.21-	■
1.6 GDI Hybrid (G4LE)		Gasol./eléc.	FWD	1580	104	141	12.19-	■
1.6 CRDi 115 Eco-Dynamics+ (D4FE)	Syst. 16	Diesel/eléc.	FWD	1598	85	116	12.19-	■
1.6 CRDi 136 Eco-Dynamics+ (D4FE)	Syst. 16	Diesel/eléc.	FWD	1598	100	136	12.19-	■
1.6 CRDi 115 (D4FE)	Syst. 16	Diesel	FWD	1598	85	116	06.19-	■
1.6 CRDi 136 (D4FE)	Syst. 16	Diesel	FWD	1598	100	136	06.19-	■