

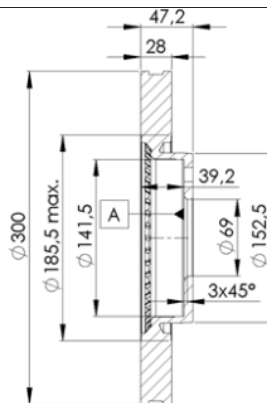
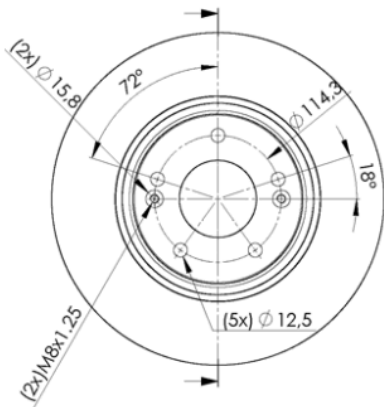
LISTA DE APLICACIONES - BUYERS GUIDE

78BD0580-2



Weight: 16.400

O.E.M.	MAKE
51712-2L500	HYUNDAI



78BD0580-2

E1 90R-02C0452/0127



Ø300x28x47.2

MAKE
HYUNDAI
KIA



Trac.	CC	Kw	CV
-------	----	----	----



Front / Rear

HYUNDAI

							Trac.		CC	Kw	CV		
GRANDEUR V / AZERA V (HG) 01.11-							Saloon (Executive car-E Segment)						
2.4 GDI		Gasolina	FWD	2359	140	190	02.11-04.16	■					
3.0 GDi (G6DG)		Gasolina	FWD	2999	195	265	12.11-	■					
i30 (FD) 10.07-06.12							Estate (Compact car-C Segment)						
2.0 (G4GC)		Gasolina	FWD	1975	105	143	02.08-06.12	■					
2.0 CRDi (D4EA)		Diesel	FWD	1991	103	140	02.08-06.12	■					
i30 (FD) 10.07-07.12							Hatchback (Compact car-C Segment)						
2.0 (G4GC)		Gasolina	FWD	1975	105	143	10.07-11.11	■					
2.0 CRDi (D4EA)		Diesel	FWD	1991	103	140	10.07-11.11	■					
i30 II (GD) 06.11-							Hatchback (Compact car-C Segment)						
1.8 (G4NB)		Gasolina	FWD	1797	110	150	01.12-	■					
ix35 / TUCSON II (LM, EL, ELH) 08.09-							SUV (Compact SUV-J Segment)						
2.4 4WD (G4KE)		Gasolina	4WD	2359	130	177	01.10-12.15	■					
2.0 Flex		Gasol./Etanol	FWD	1999	131	178	05.12-08.15	■					
SONATA VI / i45 VI (YF) 06.09-12.15							Saloon (Executive car-E Segment)						
2.0 (G4KD)		Gasolina	FWD	1998	110	150	06.09-06.14	■					
2.0 i (G4KD)		Gasolina	FWD	1998	120	163	09.12-06.14	■					
2.0 i (G4KD)		Gasolina	FWD	1998	121	165	01.11-06.14	■					
2.0 (G4NA)		Gasolina	FWD	1999	126	172	10.12-06.14	■					
2.4 (G4KC)		Gasolina	FWD	2359	128	174	06.09-11.10	■					
2.4 (G4KJ)		Gasolina	FWD	2359	142	193	09.11-12.14	■					

LISTA DE APLICACIONES - BUYERS GUIDE

2.0 Hybrid (G4NA)		Gasol./el éc.	FWD	1999	110	150	01.11-06.14	■
SONATA VII (LF) 03.14-06.23					Saloon (Executive car-E Segment)			
2.0 Hybrid		Gasol./el éc.	FWD	1999	110	150	09.14-12.19	■
VELOSTER (FS) 03.11-					Coupe (Supermini car-B Segment)			
1.6 T-GDI		Gasolina	FWD	1591	150	204	08.12-12.17	■
KIA								
CARENS III / RONDO III (RP) 01.13-					MPV (Compact MPV-M1 Segment)			
2.0 MPi		Gasolina	FWD	1999	110	150	03.13-08.16	■
2.0 GDI		Gasolina	FWD	1999	121	165	06.16-08.16	■
CERATO III / FORTE III / K3 (YD) 09.12-					Saloon (Compact car-C Segment)			
2.0 MPi (G4NA)		Gasolina	FWD	1999	112	152	03.16-06.18	■
CERATO III / FORTE III / K3 EURO (YD) 09.12-					Hatchback (Compact car-C Segment)			
1.6 CVVT (G4FC)		Gasolina	FWD	1591	95	129	11.14-	■
CERATO III KOUP / K3 KOUP (YD) 12.13-					Coupe (Compact car-C Segment)			
1.6 T-GDI (G4FJ)		Gasolina	FWD	1591	150	204	12.13-	■
PRO CEE'D II (JD) 03.12-					Hatchback Van (Compact car-C Segment)			
1.0 T-GDI		Gasolina	FWD	998	88	120	05.15-07.18	■
1.4 MPI		Gasolina	FWD	1368	74	101	05.15-07.18	■
1.6 CRDI		Diesel	FWD	1582	100	136	05.15-07.18	■
SOUL II (PS) 02.14-					Hatchback (Mini MPV-M1 Segment)			
1.6 CVVT		Gasolina	FWD	1591	95	129	07.16-12.18	■
1.6 CVVT Flex		Gasol./Et anol	FWD	1591	94	128	09.14-05.20	■
SPORTAGE III (SL) 09.09-					SUV (Compact SUV-J Segment)			
2.4 i AWD (G4KE)		Gasolina	4WD	2359	130	177	08.10-12.15	■
2.4 GDI AWD		Gasolina	4WD	2359	136	185	09.13-05.16	■
2.0 CVVT Flex		Gasol./Et anol	FWD	1998	131	178	02.12-12.16	■
2.0 CVVT Flex AWD		Gasol./Et anol	4WD	1998	131	178	01.12-12.16	■
2.0 CRDi (D4HA)		Diesel	FWD	1995	130	177	08.12-12.16	■
2.0 CRDi AWD (D4HA)		Diesel	4WD	1995	130	177	08.12-12.16	■