

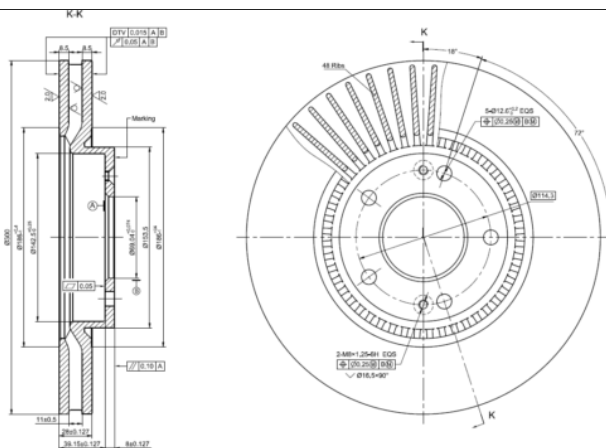
# LISTA DE APLICACIONES - BUYERS GUIDE

## 78BD0586-2



Weight: 8.530

O.E.M.	MAKE
51712-0Z000	KIA
517121M500	KIA
517122L500	KIA
51712-2Y000	KIA
51712-3K100	HYUNDAI
51712-3K110	HYUNDAI
51712-3K150	HYUNDAI
51712-3K160	KIA
517123K300	HYUNDAI
517123Q000	KIA
517123R000	KIA
517123V000	HYUNDAI
51712A0000	HYUNDAI
51712A6600	KIA
51712M0500	HYUNDAI
S517120Z000	KIA
S517122L500	KIA
S517123K160	KIA
S517123K160A	KIA



## 78BD0586-2

**E1 90R-02C0452/0127**



Ø300x28x47.15

MAKE
HYUNDAI
HYUNDAI (BEIJING)
KIA
KIA (DYK)
SOUEAST



Trac.	CC	Kw	CV			Front / Rear
-------	----	----	----	--	--	--------------

### HYUNDAI

CRETA II / ix25 II / CANTUS II (SU2_) 03.20-				SUV (Compact Crossover CUV-C Segment)				
1.6 MPi 4WD (SU2R)		Gasolina	4WD	1591	89	121	09.21-	■
2.0 MPi 4WD (SU2R)		Gasolina	4WD	1999	110	150	09.21-	■
CRETA / ix25 / CANTUS (GS) 01.16-				SUV (Compact Crossover CUV-C Segment)				
1.6 (G4FG)		Gasolina	FWD	1591	89	121	07.18-	■
1.6 (G4FG)		Gasolina	FWD	1591	90	123	01.16-01.21	■
1.6 4WD (G4FG)		Gasolina	4WD	1591	90	123	08.16-01.21	■
2.0 (G4NA)		Gasolina	FWD	1999	110	150	01.16-01.21	■
2.0 4WD		Gasolina	4WD	1999	110	149	01.16-01.21	■
1.6 Flex		Gasol./Etanol	FWD	1591	96	130	01.17-10.24	■
1.4 CRDi (D4FC)		Diesel	FWD	1396	66	90	01.16-01.21	■
1.6 CRDI (D4FB)		Diesel	FWD	1582	94	128	01.16-01.21	■
GRANDEUR V / AZERA V (HG) 01.11-				Saloon (Executive car-E Segment)				
2.4 (G4KE)	not elec.brak.detent	Gasolina	FWD	2359	132	180	07.11-12.17	■
2.4 GDI	not elec.brak.detent	Gasolina	FWD	2359	140	190	02.11-04.16	■
2.4 16V (G4KE)	not elec.brak.detent	Gasolina	FWD	2359	148	201	01.11-10.16	■
3.0 MPI (G6DE)	not elec.brak.detent	Gasolina	FWD	2999	184	250	07.11-12.17	■
3.0 MPI (G6DE)	not elec.brak.detent	Gasolina	FWD	2999	184	250	01.12-10.16	■
3.0 MPI (G6DG)	not elec.brak.detent	Gasolina	FWD	2999	184	250	01.12-10.16	■
3.0 GDi (G6DG)	not elec.brak.detent	Gasolina	FWD	2999	195	265	12.11-	■
3.0 (G6DG)	not elec.brak.detent	Gasolina	FWD	2999	199	271	02.11-10.16	■
3.3 GDI (G6DH)	not elec.brak.detent	Gasolina	FWD	3342	210	286	02.11-10.16	■

# LISTA DE APLICACIONES - BUYERS GUIDE

3.3 (G6DH)	not elec.brak.detent	Gasolina	FWD	3342	216	294	02.11-10.16	■	
3.3 (G6DH)	not elec.brak.detent	Gasolina	FWD	3342	218	296	09.11-	■	
2.4 LPI (G4KJ)		Gasol./Gas (LPG)	FWD	2359	148	201	01.11-10.13	■	
3.0 LPG (G6DG)	not elec.brak.detent	Gasol./Gas (LPG)	FWD	2999	173	235	01.11-12.11	■	
2.4 Hybrid	not elec.brak.detent	Gasol./eléc.	FWD	2359	150	204	07.11-	■	
2.2 D (D4HB)	not elec.brak.detent	Diesel	FWD	2199	147	200	01.11-12.17	■	
<b>i30 (FD) 10.07-06.12</b>				<b>Estate (Compact car-C Segment)</b>					
1.4 (G4FA)		Gasolina	FWD	1396	77	105	10.07-06.12	■	
1.4 (G4FA)		Gasolina	FWD	1396	80	109	11.09-06.12	■	
1.6 (G4FC)		Gasolina	FWD	1591	85	116	02.08-06.12	■	
1.6 (G4FC)		Gasolina	FWD	1591	90	122	02.08-06.12	■	
1.6 (G4FC)		Gasolina	FWD	1591	93	126	02.08-06.12	■	
2.0 (G4GC)		Gasolina	FWD	1975	105	143	02.08-06.12	■	
1.4 LPG (G4FA)		Gasol./Gas (LPG)	FWD	1396	80	109	11.09-06.12	■	
1.6 CRDI (D4FB)		Diesel	FWD	1582	66	90	02.08-06.12	■	
1.6 CRDI (D4FB)		Diesel	FWD	1582	85	116	02.08-06.12	■	
1.6 CRDI (D4FB)		Diesel	FWD	1582	94	128	01.10-06.12	■	
2.0 CRDi (D4EA)		Diesel	FWD	1991	100	136	10.08-06.12	■	
2.0 CRDi (D4EA)		Diesel	FWD	1991	103	140	02.08-06.12	■	
<b>i30 (FD) 10.07-07.12</b>				<b>Hatchback (Compact car-C Segment)</b>					
1.4 (G4FA)		Gasolina	FWD	1396	77	105	10.07-11.11	■	
1.4 (G4FA)		Gasolina	FWD	1396	80	109	10.07-11.11	■	
1.6 (G4FC)		Gasolina	FWD	1591	85	116	10.07-11.11	■	
1.6 (G4FC)		Gasolina	FWD	1591	90	122	10.07-11.11	■	
1.6 (G4FC)		Gasolina	FWD	1591	93	126	02.08-11.11	■	
2.0 (G4GC)		Gasolina	FWD	1975	103	140	09.08-11.12	■	
2.0 (G4GC)		Gasolina	FWD	1975	105	143	10.07-11.11	■	
1.4 LPG (G4FA)		Gasol./Gas (LPG)	FWD	1396	80	109	01.09-11.11	■	
1.6 CRDI (D4FB)		Diesel	FWD	1582	66	90	10.07-11.11	■	
1.6 CRDi VGT (D4FB)		Diesel	FWD	1582	81	110	10.07-11.11	■	
1.6 CRDI (D4FB)		Diesel	FWD	1582	85	116	10.07-11.11	■	
1.6 CRDI (D4FB)		Diesel	FWD	1582	94	128	01.10-11.11	■	
2.0 CRDi (D4EA)		Diesel	FWD	1991	100	136	10.07-11.11	■	
2.0 CRDi (D4EA)		Diesel	FWD	1991	103	140	10.07-11.11	■	
<b>i30 II (GD) 05.13-</b>				<b>Coupe (Compact car-C Segment)</b>					
1.4 (G4LC)		Gasolina	FWD	1368	74	101	12.14-	■	
1.4 (G4FA)		Gasolina	FWD	1396	73	99	05.13-12.14	■	
1.6 MPi (G4FC)		Gasolina	FWD	1591	88	120	05.13-	■	
1.6 MPi (G4FC)		Gasolina	FWD	1591	96	131	06.14-	■	
1.6 GDI (G4FD)		Gasolina	FWD	1591	99	135	05.13-	■	
1.6 T-GDI (G4FJ)		Gasolina	FWD	1591	137	186	01.15-	■	
1.4 CRDi (D4FC)		Diesel	FWD	1396	66	90	05.13-05.17	■	
1.6 CRDI (D4FB)		Diesel	FWD	1582	81	110	05.13-	■	
1.6 CRDI (D4FB)		Diesel	FWD	1582	94	128	05.13-	■	
1.6 CRDI (D4FB)		Diesel	FWD	1582	100	136	12.14-	■	
<b>i30 II (GDE, GD) 06.12-</b>				<b>Estate Van (Compact car-C Segment)</b>					
1.4 MPI (G4LC)		Gasolina	FWD	1368	74	101	05.15-05.17	■	

# LISTA DE APLICACIONES - BUYERS GUIDE

1.6 GDI (G4FD)		Gasolina	FWD	1591	99	135	05.15-	■	
1.6 CRDI (D4FB)		Diesel	FWD	1582	81	110	05.15-	■	
<b>i30 II (GD) 06.12-</b>					<b>Estate (Compact car-C Segment)</b>				
1.4 (G4LC)		Gasolina	FWD	1368	74	101	01.14-05.17	■	
1.4 (G4FA)		Gasolina	FWD	1396	73	99	06.12-12.15	■	
1.6 (G4FC)		Gasolina	FWD	1591	88	120	06.12-	■	
1.6 (G4FD)		Gasolina	FWD	1591	95	129	06.12-12.15	■	
1.6 GDI (G4FD)		Gasolina	FWD	1591	99	135	06.12-	■	
1.4 CRDi (D4FC)		Diesel	FWD	1396	66	90	06.12-05.17	■	
1.6 CRDI (D4FB)		Diesel	FWD	1582	81	110	06.12-	■	
1.6 CRDI (D4FB)		Diesel	FWD	1582	94	128	06.12-12.15	■	
1.6 CRDI (D4FB)		Diesel	FWD	1582	100	136	06.12-	■	
<b>i30 II (GDE) 06.12-</b>					<b>Hatchback Van (Compact car-C Segment)</b>				
1.6 GDI (G4FD)		Gasolina	FWD	1591	99	135	05.15-	■	
1.6 CRDI (D4FB)		Diesel	FWD	1582	81	110	05.15-	■	
<b>i30 II (GD) 06.11-</b>					<b>Hatchback (Compact car-C Segment)</b>				
1.4 (G4LC)		Gasolina	FWD	1368	74	101	12.14-12.16	■	
1.4 (G4FA)		Gasolina	FWD	1396	73	99	12.11-12.15	■	
1.6 (G4FC)		Gasolina	FWD	1591	88	120	01.12-12.16	■	
1.6 MPi		Gasolina	FWD	1591	94	128	06.14-	■	
1.6 (G4FC)		Gasolina	FWD	1591	95	129	12.11-12.15	■	
1.6 (G4FC)		Gasolina	FWD	1591	96	131	06.14-	■	
1.6 GDI (G4FD)		Gasolina	FWD	1591	99	135	12.11-12.16	■	
1.6 GDI (G4FD)		Gasolina	FWD	1591	103	140	06.11-	■	
1.6 T-GDI (G4FJ)		Gasolina	FWD	1591	137	186	01.15-	■	
1.8		Gasolina	FWD	1797	107	146	08.13-	■	
1.8 (G4NB)		Gasolina	FWD	1797	108	147	09.12-	■	
1.8 (G4NB)		Gasolina	FWD	1797	110	150	01.12-	■	
2.0		Gasolina	FWD	1999	124	169	12.14-02.17	■	
2.0 GDI (G4NC)		Gasolina	FWD	1999	127	173	10.14-	■	
2.0		Gasolina	FWD	1999	129	175	09.13-	■	
1.4 LPG (G4FA)		Gasol./Gas (LPG)	FWD	1396	73	99	01.13-12.14	■	
1.6 16V Flex (F4FC)		Gasol./Etanol	FWD	1591	94	128	11.11-12.16	■	
1.4 CRDi (D4FC)		Diesel	FWD	1396	66	90	12.11-12.16	■	
1.6 CRDI (D4FB)		Diesel	FWD	1582	81	110	12.11-12.16	■	
1.6 CRDI (D4FB)		Diesel	FWD	1582	94	128	12.11-12.15	■	
1.6 CRDI (D4FB)		Diesel	FWD	1582	100	136	11.11-12.16	■	
<b>i40 (VF) 07.11-</b>					<b>Estate Van (Large family car-D Segment)</b>				
1.7 CRDi (D4FD)		Diesel	FWD	1685	85	116	05.15-05.19	■	
<b>i40 (VF) 03.12-</b>					<b>Saloon (Large family car-D Segment)</b>				
1.6 GDI (G4FD)		Gasolina	FWD	1591	99	135	03.12-05.19	■	
2.0 CVVT (G4NA)		Gasolina	FWD	1999	110	150	10.12-05.19	■	
2.0 CVVT (G4NA)		Gasolina	FWD	1999	121	165	03.12-05.19	■	
2.0 GDI (G4NC)		Gasolina	FWD	1999	121	165	12.14-05.19	■	
2.0 GDI		Gasolina	FWD	1999	122	166	03.12-05.19	■	
2.0		Gasolina	FWD	1999	123	167	03.12-05.19	■	
2.0 CVVT (G4NA)		Gasolina	FWD	1999	130	177	03.12-05.19	■	
2.0 GDI (G4NC)		Gasolina	FWD	1999	130	177	03.12-05.19	■	

# LISTA DE APLICACIONES - BUYERS GUIDE

2.0 GDI (G4NC)		Gasolina	FWD	1999	131	178	03.12-05.19	■	
1.6 CRDI (D4FE)		Diesel	FWD	1598	85	116	07.18-05.19	■	
1.6 CRDI (D4FE)		Diesel	FWD	1598	100	136	07.18-05.19	■	
1.7 CRDi (D4FD)		Diesel	FWD	1685	85	116	03.12-05.19	■	
1.7 CRDi (D4FD)		Diesel	FWD	1685	100	136	03.12-05.19	■	
1.7 CRDi (D4FD)		Diesel	FWD	1685	103	140	10.12-05.19	■	
1.7 CRDi (D4FD)		Diesel	FWD	1685	104	141	01.15-05.19	■	
<b>i40 I CW (VF) 07.11-</b>							<b>Estate (Large family car-D Segment)</b>		
1.6 GDI (G4FD)		Gasolina	FWD	1591	99	135	07.11-05.19	■	
2.0 CVVT (G4NA)		Gasolina	FWD	1999	110	150	10.12-05.19	■	
2.0 CVVT (G4NA)		Gasolina	FWD	1999	112	152	07.18-05.19	■	
2.0 CVVT (G4NA)		Gasolina	FWD	1999	121	165	06.12-05.19	■	
2.0 GDI (G4NC)		Gasolina	FWD	1999	121	165	12.14-05.19	■	
2.0		Gasolina	FWD	1999	122	166	03.12-05.19	■	
2.0 CVVT (G4NA)		Gasolina	FWD	1999	130	177	07.11-05.19	■	
2.0 GDI (G4NC)		Gasolina	FWD	1999	130	177	07.11-05.19	■	
1.6 CRDI (D4FE)		Diesel	FWD	1598	85	116	07.18-05.19	■	
1.6 CRDI (D4FE)		Diesel	FWD	1598	100	136	07.18-05.19	■	
1.7 CRDi (D4FD)		Diesel	FWD	1685	85	116	07.11-05.19	■	
1.7 CRDi (D4FD)		Diesel	FWD	1685	100	136	07.11-05.19	■	
1.7 CRDi (D4FD)		Diesel	FWD	1685	103	140	03.12-05.19	■	
1.7 CRDi (D4FD)		Diesel	FWD	1685	104	141	01.15-05.19	■	
<b>ix35 / TUCSON II 08.09-12.15</b>							<b>SUV Van (Compact SUV-J Segment)</b>		
GDI		Gasolina	FWD	1591	99	135	05.15-12.15	■	
CRDi		Diesel	FWD	1685	85	116	09.10-12.15	■	
CRDi		Diesel	FWD	1995	100	136	08.09-12.15	■	
CRDi 4WD		Diesel	4WD	1995	100	136	08.09-12.15	■	
<b>ix35 / TUCSON II (LM, EL, ELH) 08.09-</b>							<b>SUV (Compact SUV-J Segment)</b>		
1.6 (G4FD)		Gasolina	FWD	1591	99	135	11.10-12.15	■	
2.0 CVVT (G4KD)		Gasolina	FWD	1998	110	150	08.09-07.13	■	
2.0 CVVT AWD (G4KD)		Gasolina	4WD	1998	110	150	08.09-07.13	■	
2.0 (G4KD)		Gasolina	FWD	1998	120	163	01.10-07.13	■	
2.0 4WD (G4KD)		Gasolina	4WD	1998	120	163	01.10-12.15	■	
2.0 (G4KD)		Gasolina	FWD	1998	122	166	01.10-12.15	■	
2.0 CVVT (G4NA)		Gasolina	FWD	1999	110	150	08.13-12.15	■	
2.0 CVVT 4WD (G4NA)		Gasolina	4WD	1999	110	150	08.13-12.15	■	
2.0 (G4NA)		Gasolina	FWD	1999	113	154	08.13-12.15	■	
2.0 CVVT 4WD (G4KD)		Gasolina	4WD	1999	122	166	08.09-12.15	■	
2.0 GDI (G4NC)		Gasolina	FWD	1999	122	166	08.13-12.15	■	
2.0 GDI 4WD (G4NC)		Gasolina	4WD	1999	122	166	08.13-12.15	■	
2.4 DCVVT-I 4WD (G4KE)		Gasolina	4WD	2359	128	174	07.10-12.13	■	
2.4 4WD (G4KE)		Gasolina	4WD	2359	129	175	09.12-12.13	■	
2.4 4WD (G4KE)		Gasolina	4WD	2359	130	177	01.10-12.15	■	
2.0 Flex		Gasol./Etanol	FWD	1999	131	178	05.12-08.15	■	
1.7 CRDi (D4FD)		Diesel	FWD	1685	85	116	11.10-12.15	■	
2.0 CRDi (D4HA)		Diesel	FWD	1995	100	136	01.10-12.15	■	
2.0 CRDi 4WD (D4HA)		Diesel	4WD	1995	100	136	01.10-12.15	■	
2.0 CRDi (D4HA)		Diesel	FWD	1995	130	177	01.12-12.15	■	
2.0 CRDi 4WD (D4HA)		Diesel	4WD	1995	130	177	01.11-12.15	■	
2.0 CRDi (D4HA)		Diesel	FWD	1995	132	179	01.10-06.15	■	

# LISTA DE APLICACIONES - BUYERS GUIDE

2.0 CRDi 4WD (D4HA)		Diesel	4WD	1995	132	179	01.10-06.15	■	
2.0 CRDi (D4HA)		Diesel	FWD	1995	135	184	08.09-12.15	■	
2.0 CRDi 4WD (D4HA)		Diesel	4WD	1995	135	184	01.10-12.15	■	
<b>SONATA V / EMBERA V (NF) 08.04-11.14</b>					<b>Saloon (Executive car-E Segment)</b>				
2.0 VVTi GLS (G4KA)		Gasolina	FWD	1998	106	144	05.05-12.10	■	
2.0 GLSi (G4KD)		Gasolina	FWD	1998	119	162	07.08-12.10	■	
2.0 VVTi GLS (G4KD)		Gasolina	FWD	1998	121	165	01.08-12.10	■	
2.4 (G4KC)		Gasolina	FWD	2359	119	162	01.05-12.10	■	
2.4		Gasolina	FWD	2359	121	165	01.05-12.08	■	
2.4 (G4KC)		Gasolina	FWD	2359	128	174	06.08-12.10	■	
2.4		Gasolina	FWD	2359	130	177	09.08-12.10	■	
2.4		Gasolina	FWD	2359	132	180	11.07-12.10	■	
3.3 (G6DB)		Gasolina	FWD	3342	171	233	01.05-12.10	■	
3.3 (G6DB)		Gasolina	FWD	3342	173	235	06.05-12.10	■	
3.3 (G6DB)		Gasolina	FWD	3342	175	238	09.05-12.06	■	
3.3 (G6DB)		Gasolina	FWD	3342	184	250	01.08-12.10	■	
3.3 (G6DB)		Gasolina	FWD	3342	186	253	09.07-12.08	■	
2.0 GLP (G4KA)		Gasol./Gas (LPG)	FWD	1998	104	141	03.07-12.08	■	
2.0 CRDi (D4EA)		Diesel	FWD	1991	100	136	02.06-12.10	■	
2.0 CRDi (D4EA)		Diesel	FWD	1991	103	140	02.06-12.10	■	
2.0 CRDi		Diesel	RWD	1991	105	143	02.06-	■	
2.0 CRDi (D4EA)		Diesel	FWD	1991	110	150	03.09-12.10	■	
<b>SONATA VI / i45 VI (YF) 06.09-12.15</b>					<b>Saloon (Executive car-E Segment)</b>				
2.0 (G4KD)		Gasolina	FWD	1998	110	150	06.09-06.14	■	
2.0 i (G4KD)		Gasolina	FWD	1998	120	163	09.12-06.14	■	
2.0 i (G4KD)		Gasolina	FWD	1998	121	165	01.11-06.14	■	
2.0 (G4NA)		Gasolina	FWD	1999	126	172	10.12-06.14	■	
2.4 (G4KC)		Gasolina	FWD	2359	128	174	06.09-11.10	■	
2.4 (G4KJ)		Gasolina	FWD	2359	142	193	09.11-12.14	■	
2.4 GDI		Gasolina	FWD	2359	148	201	01.09-	■	
GLP (L4KA)		Gasol./Gas (LPG)	FWD	1998	106	144	06.09-12.15	■	
2.0 GLP (L4NA)		Gasol./Gas (LPG)	FWD	1999	115	156	01.11-12.14	■	
2.0 Hybrid (G4NA)		Gasol./eléc.	FWD	1999	110	150	01.11-06.14	■	
<b>SONATA VII (LF) 03.14-06.23</b>					<b>Saloon (Executive car-E Segment)</b>				
2.0 Hybrid		Gasol./eléc.	FWD	1999	110	150	09.14-12.19	■	
<b>TUCSON (JM) 06.04-03.10</b>					<b>SUV Van (Compact SUV-J Segment)</b>				
CVVT		Gasolina	FWD	1975	104	141	06.04-03.10	■	
CRDi		Diesel	FWD	1991	103	140	01.06-03.10	■	
CRDi VGT		Diesel	FWD	1991	110	150	01.09-03.10	■	
<b>TUCSON (JM) 06.04-</b>					<b>SUV (Compact SUV-J Segment)</b>				
2.0 (G4GC)		Gasolina	FWD	1975	104	141	08.04-12.10	■	
2.0 Alas 4 ruedas (G4GC)		Gasolina	4WD	1975	104	141	08.04-03.10	■	
2.0 (G4GC)		Gasolina	FWD	1975	105	143	01.07-01.12	■	
2.0 Alas 4 ruedas (G4GC)		Gasolina	4WD	1975	105	143	07.05-11.10	■	
2.0 Alas 4 ruedas		Gasolina	FWD	1997	100	136	07.07-11.10	■	
2.0 (G4NA)		Gasolina	FWD	1999	116	158	09.09-11.10	■	
2.4 (G4KE)		Gasolina	FWD	2359	130	177	12.14-06.15	■	

# LISTA DE APLICACIONES - BUYERS GUIDE

2.4		Gasolina	FWD	2359	131	178	09.09-03.10	■	
2.7 (G6BA)		Gasolina	FWD	2656	129	175	08.04-12.09	■	
2.7 A las 4 ruedas (G6BA)		Gasolina	4WD	2656	129	175	08.04-11.10	■	
2.0 LPG (G4GC)		Gasol./Gas (LPG)	FWD	1975	104	141	06.04-03.10	■	
2.0 LPG A las 4 ruedas (G4GC)		Gasol./Gas (LPG)	4WD	1975	104	141	06.09-03.10	■	
2.0 GLS Flex		Gasol./Etanol	FWD	1975	107	146	01.13-12.19	■	
2.0 CRDi (D4EA)		Diesel	FWD	1991	83	113	08.04-03.10	■	
2.0 CRDi A las 4 ruedas (D4EA)		Diesel	4WD	1991	83	113	08.04-03.10	■	
2.0 CRDi (D4EA)		Diesel	FWD	1991	88	120	01.07-03.10	■	
2.0 CRDi A las 4 ruedas (D4EA)		Diesel	4WD	1991	88	120	01.07-03.10	■	
2.0 CRDi (D4EA)		Diesel	FWD	1991	100	136	01.06-03.10	■	
2.0 CRDi A las 4 ruedas (D4EA)		Diesel	4WD	1991	100	136	01.06-03.10	■	
2.0 CRDi (D4EA)		Diesel	FWD	1991	103	140	01.06-03.10	■	
2.0 CRDi A las 4 ruedas (D4EA)		Diesel	4WD	1991	103	140	01.06-03.10	■	
2.0 CRDi (D4EA)		Diesel	FWD	1991	110	150	01.09-03.10	■	
2.0 CRDi A las 4 ruedas (D4EA)		Diesel	4WD	1991	110	150	01.09-03.10	■	
<b>VELOSTER (FS) 03.11-</b>					<b>Coupe (Supermini car-B Segment)</b>				
1.6 T-GDI (G4FJ)		Gasolina	FWD	1591	137	186	10.12-12.17	■	
1.6 T-GDI		Gasolina	FWD	1591	150	204	08.12-12.17	■	
<b>HYUNDAI (BEIJING)</b>									
<b>ELANTRA VII (CN) 10.20-</b>					<b>Saloon (Compact car-C Segment)</b>				
240TGD i (G4LD)		Gasolina	FWD	1353	103	140	10.20-	■	
1.5 (G4FL)		Gasolina	FWD	1497	85	116	10.20-	■	
<b>ix25 (GC) 10.14-</b>					<b>Closed Off-Road Vehicle (Compact SUV-J Segment)</b>				
2.0		Gasolina	FWD	1999	118	160	10.14-	■	
2.0		Gasolina	FWD	1999	118	160	10.14-	■	
<b>ix25 (GC) 10.14-</b>					<b>SUV (Compact SUV-J Segment)</b>				
1.4 TGDI (G4LD)		Gasolina	FWD	1353	103	140	08.17-	■	
1.6 T-GDI (G4FJ)		Gasolina	FWD	1591	118	160	09.16-	■	
<b>ix35 (LM) 04.10-</b>					<b>SUV (Compact SUV-J Segment)</b>				
1.4		Gasolina	FWD	1353	103	140	12.18-	■	
2.0		Gasolina	FWD	1998	120	163	04.10-	■	
2.0		Gasolina	FWD	1998	120	163	04.10-	■	
2.0 (G4NA)		Gasolina	FWD	1999	118	160	04.12-	■	
2.0		Gasolina	FWD	1999	118	160	11.17-	■	
2.0 4WD		Gasolina	4WD	1999	118	160	11.17-	■	
2.0 Alas 4 ruedas (G4NA)		Gasolina	4WD	1999	118	160	04.12-	■	
2.0 (G4NA)		Gasolina	FWD	1999	121	165	04.12-	■	
2.0 Alas 4 ruedas (G4NA)		Gasolina	4WD	1999	121	165	04.12-12.17	■	
2.4 (G4KE)		Gasolina	FWD	2359	125	170	04.12-12.17	■	
2.4 A las 4 ruedas (G4KE)		Gasolina	4WD	2359	125	170	04.12-	■	
2.4		Gasolina	FWD	2359	128	174	04.10-	■	
2.4		Gasolina	FWD	2359	128	174	04.10-	■	
<b>LAFESTA (SQ) 10.18-</b>					<b>Hatchback (Large family car-D Segment)</b>				
280TGDI (G4FJ)		Gasolina	FWD	1591	140	190	10.18-	■	
280TGDI (G4FJ)		Gasolina	FWD	1591	150	204	10.18-	■	

# LISTA DE APLICACIONES - BUYERS GUIDE

<b>MISTRA (CF) 11.13-</b>					<b>Saloon (Large family car-D Segment)</b>			
1.6 T (G4FJ)		Gasolina	FWD	1591	129	175	06.16-	■
<b>SONATA (LF) 03.15-</b>					<b>Saloon (Executive car-E Segment)</b>			
2.4		Gasolina	FWD	2359	139	189	03.15-	■
Híbrido (G4NG)		Gasol./el éc.	FWD	1999	115	156	06.16-12.18	■
PHEV (G4NG)		Gasol./el éc.	FWD	1999	115	156	08.18-	■
<b>KIA</b>								
<b>CARENS III (A4) 03.13-</b>					<b>Box Body/MPV (Compact MPV-M1 Segment)</b>			
CRDi		Diesel	FWD	1685	85	116	04.15-08.16	■
CRDi		Diesel	FWD	1685	100	136	04.15-08.16	■
<b>CARENS III / RONDO III (RP) 01.13-</b>					<b>MPV (Compact MPV-M1 Segment)</b>			
1.6 GDI (G4FD)		Gasolina	FWD	1591	99	135	03.13-08.16	■
2.0 MPI		Gasolina	FWD	1999	110	150	03.13-08.16	■
2.0 MPI (G4NA)		Gasolina	FWD	1999	112	152	01.14-	■
2.0 LPI		Gasolina	FWD	1999	113	154	03.13-	■
2.0 (G4NA)		Gasolina	FWD	1999	116	158	01.17-	■
2.0 GDI (G4NC)		Gasolina	FWD	1999	122	166	03.13-08.16	■
2.0 GDI (G4NC)		Gasolina	FWD	1999	130	177	03.13-	■
2.0 LPI (G4NC)		Gasol./G as (LPG)	FWD	1999	109	148	08.16-	■
1.7 CRDi (D4FD)		Diesel	FWD	1685	85	116	03.13-08.18	■
1.7 CRDi (D4FD)		Diesel	FWD	1685	99	135	03.13-08.16	■
1.7 CRDi (D4FD)		Diesel	FWD	1685	100	136	03.13-08.16	■
1.7 CRDi (D4FD)		Diesel	FWD	1685	102	139	07.18-	■
1.7 CRDi (D4FD)		Diesel	FWD	1685	104	141	07.15-09.18	■
<b>CEE'D II (JD) 05.12-</b>					<b>Hatchback (Compact car-C Segment)</b>			
1.0 T-GDI (G3LC)		Gasolina	FWD	998	74	100	07.15-07.18	■
1.0 T-GDI (G3LC)		Gasolina	FWD	998	88	120	07.15-07.18	■
1.4 MPI (G4LC)		Gasolina	FWD	1368	74	101	04.15-07.18	■
1.4 CVVT (G4FA)		Gasolina	FWD	1396	66	90	05.12-07.18	■
1.4 CVVT (G4FA)		Gasolina	FWD	1396	73	100	05.12-07.18	■
1.6 CVVT (G4FC)		Gasolina	FWD	1591	95	130	01.13-07.18	■
1.6 CVVT (G4FC)		Gasolina	FWD	1591	96	131	11.14-07.18	■
1.6 GDI (G4FD)		Gasolina	FWD	1591	99	135	05.12-07.18	■
1.6 GT (G4FJ)		Gasolina	FWD	1591	150	204	06.13-07.18	■
1.4 LPG		Gasol./G as (LPG)	FWD	1396	72	98	05.12-07.18	■
1.4 CRDi 90 (D4FC)		Diesel	FWD	1396	66	90	05.12-07.18	■
1.6 CRDi 110 (D4FB)		Diesel	FWD	1582	81	110	05.12-07.18	■
1.6 CRDi 128 (D4FB)		Diesel	FWD	1582	94	128	05.12-07.18	■
1.6 CRDi 136 (D4FB)		Diesel	FWD	1582	100	136	07.15-07.18	■
<b>CEE'D II Combi Van (JD) 07.12-</b>					<b>Estate Van (Compact car-C Segment)</b>			
1.0 T-GDI (G3LC)		Gasolina	FWD	998	74	101	04.15-07.18	■
1.0 T-GDI (G3LC)		Gasolina	FWD	998	88	120	04.15-07.18	■
1.4 CVVT (G4FA)		Gasolina	FWD	1396	73	100	04.15-07.18	■
1.6 GDI (G4FD)		Gasolina	FWD	1591	99	135	04.15-07.18	■
1.4 CRDi (D4FC)		Diesel	FWD	1396	66	90	04.15-07.18	■
1.6 CRDI (D4FB)		Diesel	FWD	1582	94	128	07.12-07.18	■

# LISTA DE APLICACIONES - BUYERS GUIDE

<b>CEE'D II Sport Wagon (JD) 09.12-</b>					<b>Estate (Compact car-C Segment)</b>			
1.0 T-GDI (G3LC)	Gasolina	FWD	998	74	100	07.15-07.18	■	
1.0 T-GDI (G3LC)	Gasolina	FWD	998	88	120	07.15-07.18	■	
1.4 MPI (G4LC)	Gasolina	FWD	1368	74	101	04.15-07.18	■	
1.4 CVVT (G4FA)	Gasolina	FWD	1396	73	100	09.12-07.15	■	
1.6 CVVT (G4FC)	Gasolina	FWD	1591	95	130	11.14-07.18	■	
1.6 CVVT (G4FC)	Gasolina	FWD	1591	96	131	11.14-07.18	■	
1.6 GDI (G4FD)	Gasolina	FWD	1591	99	135	09.12-07.18	■	
1.4 LPG (G4FA)	Gasol./Gas (LPG)	FWD	1396	72	98	01.13-07.18	■	
1.4 CRDi 90 (D4FC)	Diesel	FWD	1396	66	90	09.12-07.18	■	
1.6 CRDi 110 (D4FB)	Diesel	FWD	1582	81	110	03.13-07.18	■	
1.6 CRDi 128 (D4FB)	Diesel	FWD	1582	94	128	09.12-07.15	■	
1.6 CRDi 136 (D4FB)	Diesel	FWD	1582	100	136	07.15-07.18	■	
<b>CERATO II / FORTE II / K3 II (TD) 01.09-</b>					<b>Saloon (Compact car-C Segment)</b>			
1.8	Gasolina	FWD	1979	110	150	04.13-	■	
2.0	Gasolina	FWD	1999	129	175	04.13-	■	
<b>CERATO II KOUP / FORTE KOUP / K3 (TD) 01.09-</b>					<b>Coupe (Compact car-C Segment)</b>			
1.6 CVVT (G4FJ)	Gasolina	FWD	1591	150	204	09.13-02.14	■	
2.0 GDI	Gasolina	FWD	1999	129	175	09.13-	■	
<b>CERATO III / FORTE III / K3 (YD) 09.12-</b>					<b>Saloon (Compact car-C Segment)</b>			
1.6 16V (YD) (G4FG)	Gasolina	FWD	1591	90	122	05.15-	■	
1.6 CVVT	Gasolina	FWD	1591	94	128	11.14-10.18	■	
1.6 MPi (G4FG)	Gasolina	FWD	1591	96	130	06.13-05.17	■	
1.6 GDI	Gasolina	FWD	1591	103	140	09.12-	■	
1.8	Gasolina	FWD	1797	107	145	01.14-	■	
2.0 MPi (G4KD)	Gasolina	FWD	1997	110	150	06.13-12.16	■	
2.0 MPi (G4NA)	Gasolina	FWD	1999	112	152	03.16-06.18	■	
2.0 CVVT (G4NA)	Gasolina	FWD	1999	117	159	12.14-12.18	■	
1.6 16V Flex (F4FA)	Gasol./Etanol	FWD	1591	94	128	06.13-09.19	■	
1.6 VGT	Diesel	RWD	1582	94	128	09.12-	■	
<b>CERATO III / FORTE III / K3 EURO (YD) 09.12-</b>					<b>Hatchback (Compact car-C Segment)</b>			
1.6 CVVT (G4FC)	Gasolina	FWD	1591	95	129	11.14-	■	
1.6 GDI	Gasolina	FWD	1591	103	140	09.12-	■	
1.6 Turbo (G4FJ)	Gasolina	FWD	1591	150	204	09.13-	■	
1.8 (G4NB)	Gasolina	FWD	1797	110	150	04.13-03.16	■	
2.0 CVVT (G4KD)	Gasolina	FWD	1998	116	158	05.13-	■	
2.0 CVVT	Gasolina	FWD	1999	112	152	01.16-	■	
2.0 DGI (G4NC)	Gasolina	FWD	1999	129	175	06.13-	■	
<b>CERATO III KOUP / K3 KOUP (YD) 12.13-</b>					<b>Coupe (Compact car-C Segment)</b>			
1.6 GDI (G4FD)	Gasolina	FWD	1591	97	132	12.13-	■	
1.6 GDI	Gasolina	FWD	1591	103	140	12.13-	■	
1.6 T-GDI (G4FJ)	Gasolina	FWD	1591	150	204	12.13-	■	
2.0 MPi	Gasolina	FWD	1998	110	150	12.13-	■	
2.0 GDI (G4NC)	Gasolina	FWD	1998	118	161	09.14-	■	
2.0 GDI	Gasolina	FWD	1998	129	175	09.14-03.16	■	
2.0 CVVT	Gasolina	FWD	1999	117	159	12.14-	■	
2.0 GDI (G4NC)	Gasolina	FWD	1999	121	165	09.14-	■	

# LISTA DE APLICACIONES - BUYERS GUIDE

<b>OPTIMA III / K5 (FSGDS6B) 01.10-</b>					<b>Saloon (Executive car-E Segment)</b>			
2.0 CVVT (G4KD)		Gasolina	FWD	1998	110	150	01.11-12.15	■
2.0 CVVL (G4KD)		Gasolina	FWD	1998	121	165	03.12-12.15	■
2.0 (G4KD)		Gasolina	FWD	1998	125	170	03.12-12.15	■
2.0 (G4KH)		Gasolina	FWD	1998	204	277	09.10-12.15	■
2.0 CVVT		Gasolina	FWD	1999	115	156	04.10-12.15	■
2.0 CVVT (G4NA)	not elec.brak.detent	Gasolina	FWD	1999	119	162	12.14-12.15	■
2.0 CVVT (G4NA)		Gasolina	FWD	1999	121	165	03.13-12.15	■
2.0 CVVL		Gasolina	FWD	1999	126	171	03.12-12.15	■
2.4		Gasolina	FWD	2359	129	175	06.10-12.15	■
2.4 (G4KJ)		Gasolina	FWD	2359	132	179	03.12-12.15	■
2.4 CVVT (G4KE)		Gasolina	FWD	2359	132	179	01.12-12.15	■
2.4 (G4KC)		Gasolina	FWD	2359	142	193	09.10-12.13	■
2.4 GDI (G4KJ)		Gasolina	FWD	2359	143	194	09.13-	■
2.4 (G4KJ)		Gasolina	FWD	2359	149	203	09.10-12.15	■
2.0 LPI		Gasol./Gas (LPG)	FWD	1998	106	144	04.10-12.15	■
2.0 LPI		Gasol./Gas (LPG)	FWD	1999	114	155	04.10-12.15	■
2.0 CVVT Hybrid		Gasol./eléc.	FWD	1999	140	190	12.12-12.15	■
2.4 Hybrid		Gasol./eléc.	FWD	2359	154	209	09.11-12.15	■
1.7 CRDi (D4FD)		Diesel	FWD	1685	100	136	03.12-12.15	■
<b>OPTIMA IV / K5 (JF) 09.15-</b>					<b>Saloon (Executive car-E Segment)</b>			
1.6 T-GDI (G4FJ)		Gasolina	FWD	1591	132	179	09.18-12.19	■
2.0 (G4ND)		Gasolina	FWD	1999	110	150	09.15-12.19	■
2.0 CVVL (G4ND)		Gasolina	FWD	1999	120	163	09.15-12.19	■
2.0 Gdi Hybrid (G4NG)		Gasol./eléc.	FWD	1999	151	205	09.16-12.19	■
1.6 CRDI (D4FE)		Diesel	FWD	1598	100	136	06.18-12.19	■
1.7 CRDi (D4FD)		Diesel	FWD	1685	99	135	09.16-04.18	■
1.7 CRDi (D4FD)		Diesel	FWD	1685	104	141	11.15-04.18	■
<b>OPTIMA IV / K5 Sport Wagon (JF) 09.16-</b>					<b>Estate (Executive car-E Segment)</b>			
1.6 T-GDI (G4FJ)		Gasolina	FWD	1591	132	179	01.18-12.19	■
2.0 CVVL		Gasolina	FWD	1999	120	163	09.16-12.19	■
2.0 Gdi Hybrid (G4NG)		Gasol./eléc.	FWD	1999	151	205	04.17-12.19	■
1.6 CRDI (D4FE)		Diesel	FWD	1598	100	136	01.18-12.19	■
1.7 CRDi (D4FD)		Diesel	FWD	1685	99	135	09.16-04.18	■
1.7 CRDi (D4FD)		Diesel	FWD	1685	104	141	09.16-04.18	■
<b>PRO CEE'D II (JD) 03.12-</b>					<b>Hatchback Van (Compact car-C Segment)</b>			
1.4 CVVT (G4FA)		Gasolina	FWD	1396	73	99	05.12-07.18	■
1.6 GDI (G4FD)		Gasolina	FWD	1591	99	135	04.15-07.18	■
1.4 CRDi (D4FC)		Diesel	FWD	1396	66	90	05.15-07.18	■
1.6 CRDI (D4FB)		Diesel	FWD	1582	94	128	10.12-07.18	■
<b>PRO CEE'D II (JD) 03.13-</b>					<b>Hatchback (Compact car-C Segment)</b>			
1.0 T-GDI (G3LC)		Gasolina	FWD	998	74	100	07.15-07.18	■
1.0 T-GDI (G3LC)		Gasolina	FWD	998	88	120	07.15-07.18	■
1.4 MPI		Gasolina	FWD	1368	73	100	07.13-07.18	■
1.4 MPI (G4LC)		Gasolina	FWD	1368	74	101	04.15-07.18	■
1.4 CVVT (G4FA)		Gasolina	FWD	1396	73	100	03.13-07.15	■

# LISTA DE APLICACIONES - BUYERS GUIDE

1.4 CVVT (G4FA)		Gasolina	FWD	1396	74	101	07.13-07.18	■
1.6 CVVT (G4FC)		Gasolina	FWD	1591	95	130	03.13-07.18	■
1.6 GDI (G4FD)		Gasolina	FWD	1591	99	135	03.13-07.18	■
1.4 CRDi 90 (D4FC)		Diesel	FWD	1396	66	90	03.13-07.18	■
1.6 CRDi 110 (D4FB)		Diesel	FWD	1582	81	110	03.13-07.18	■
1.6 CRDi 128 (D4FB)		Diesel	FWD	1582	94	128	03.13-07.15	■
1.6 CRDi 136 (D4FB)		Diesel	FWD	1582	100	136	07.15-07.18	■
<b>SOUL II (PS) 02.14-</b>				<b>Hatchback (Mini MPV-M1 Segment)</b>				
1.6 MPI		Gasolina	FWD	1591	90	122	07.18-12.18	■
1.6 CVVT (G4FG)		Gasolina	FWD	1591	91	124	02.14-12.18	■
1.6 CVVT		Gasolina	FWD	1591	95	129	07.16-12.18	■
1.6 GDI (G4FD)		Gasolina	FWD	1591	97	132	02.14-12.18	■
1.6 TGD		Gasolina	FWD	1591	150	204	11.16-12.18	■
2.0 CVVT		Gasolina	FWD	1998	116	158	07.16-	■
2.0 CVVT (G4NA)		Gasolina	FWD	1999	110	150	08.16-12.18	■
2.0 CVVT (G4NA)		Gasolina	FWD	1999	112	152	02.14-11.18	■
2.0 CVVT (G4NA)		Gasolina	FWD	1999	113	154	02.14-12.18	■
2.0 GDI		Gasolina	FWD	1999	120	163	09.16-12.18	■
2.0 GDI		Gasolina	FWD	1999	122	166	02.14-12.18	■
1.6 LPG (G4FG)		Gasol./Gas (LPG)	FWD	1591	87	118	12.14-12.18	■
1.6 LPG (G4FG)		Gasol./Gas (LPG)	FWD	1591	96	131	12.14-12.18	■
1.6 CVVT (F4FA)		Gasol./Etanol	FWD	1591	88	120	09.14-	■
1.6 CVVT Flex		Gasol./Etanol	FWD	1591	94	128	09.14-05.20	■
EV Electric		Eléctrico	FWD		25	33	09.14-11.18	■
EV Electric		Eléctrico	FWD		47	64	09.14-11.18	■
EV Electric		Eléctrico	FWD		81	110	09.14-11.18	■
1.6 CRDi 128 (D4FB)		Diesel	FWD	1582	94	126	02.14-12.18	■
1.6 CRDi (D4FB)		Diesel	FWD	1582	99	135	07.18-	■
1.6 CRDi 136 (D4FB)		Diesel	FWD	1582	100	136	04.15-12.18	■
<b>SPORTAGE II (JE_, KM_) 09.04-</b>				<b>SUV (Compact SUV-J Segment)</b>				
2.0 16V 4WD (G4GC)		Gasolina	4WD	1975	104	141	09.04-08.10	■
2.0 i 16V (G4GC)		Gasolina	FWD	1975	104	141	09.04-11.10	■
2.7 (G6BA)		Gasolina	FWD	2656	129	175	09.05-12.10	■
2.7 V6 4WD (G6BA)		Gasolina	4WD	2656	129	175	09.04-08.10	■
2.0 LPG (G4GC)		Gasol./Gas (LPG)	FWD	1975	101	137	06.09-05.10	■
2.0 CRDi (D4EA)		Diesel	FWD	1991	83	113	02.05-12.06	■
2.0 CRDi 4WD (D4EA)		Diesel	4WD	1991	83	113	09.04-12.06	■
2.0 CRDi (D4EA)		Diesel	FWD	1991	100	136	01.06-05.10	■
2.0 CRDi 4WD (D4EA)		Diesel	4WD	1991	100	136	01.06-05.10	■
2.0 CRDi (D4EA)		Diesel	FWD	1991	103	140	01.06-10.08	■
2.0 CRDi 4WD (D4EA)		Diesel	4WD	1991	103	140	01.06-10.08	■
2.0 CRDi (D4EA)		Diesel	FWD	1991	110	150	09.07-12.10	■
2.0 CRDi 4WD (D4EA)		Diesel	4WD	1991	110	150	09.08-05.10	■
2.0 CRDi (D4HA)		Diesel	FWD	1995	135	184	01.09-05.10	■
<b>SPORTAGE II VAN (KM_) 09.04-</b>				<b>SUV Van (Compact SUV-J Segment)</b>				
2.0 CRDi		Diesel	FWD	1991	110	150	09.08-05.10	■
2.0 CRDi 4WD		Diesel	4WD	1991	110	150	09.08-05.10	■

# LISTA DE APLICACIONES - BUYERS GUIDE

<b>SPORTAGE III (SL) 09.09-</b>					<b>SUV (Compact SUV-J Segment)</b>			
1.6 GDI (G4FD)		Gasolina	FWD	1591	99	135	06.10-12.15	■
1.6 GDI (G4FD)		Gasolina	FWD	1591	103	140	11.12-12.15	■
2.0 CVVT (G4KD)		Gasolina	FWD	1998	110	150	06.10-12.13	■
2.0 CVVT AWD (G4KD)		Gasolina	4WD	1998	110	150	06.10-12.13	■
2.0 CVVT		Gasolina	FWD	1998	116	158	11.14-	■
2.0 CVVT		Gasolina	FWD	1998	116	158	11.14-	■
2.0 CVVT (G4KD)		Gasolina	FWD	1998	120	163	07.10-12.15	■
2.0 CVVT AWD (G4KD)		Gasolina	4WD	1998	120	163	07.10-12.15	■
2.0 CVVT (G4KD)		Gasolina	FWD	1998	122	166	07.10-12.15	■
2.0 CVVT AWD (G4KD)		Gasolina	4WD	1998	122	166	07.10-12.15	■
2.0 GDI (G4NC)		Gasolina	FWD	1998	122	166	02.14-12.15	■
2.0 GDI AWD (G4NC)		Gasolina	4WD	1998	122	166	02.14-12.15	■
2.0 (G4KH)		Gasolina	FWD	1998	191	260	09.10-	■
2.0 AWD (G4KH)		Gasolina	4WD	1998	191	260	09.10-	■
2.0 GDI		Gasolina	FWD	1998	194	264	09.13-12.15	■
2.0 GDI AWD (G4KH)		Gasolina	4WD	1998	194	264	09.13-	■
2.0 CVVT (G4NA)		Gasolina	FWD	1999	110	150	01.14-12.15	■
2.0 CVVT AWD (G4NA)		Gasolina	4WD	1999	110	150	01.14-12.15	■
2.0 CVVT		Gasolina	FWD	1999	111	151	08.15-	■
2.0 CVVT AWD (G4NA)		Gasolina	4WD	1999	111	151	08.15-12.15	■
2.0 CVVT		Gasolina	FWD	1999	113	154	11.14-12.15	■
2.0 CVVT AWD (G4NA)		Gasolina	4WD	1999	113	154	11.14-12.15	■
2.0 CVVT (G4NA)		Gasolina	FWD	1999	115	156	04.15-12.15	■
2.4 i AWD (G4KE)		Gasolina	4WD	2359	130	177	08.10-12.15	■
2.4		Gasolina	FWD	2359	131	178	09.10-12.15	■
2.4 GDI		Gasolina	FWD	2359	136	185	09.13-05.16	■
2.4 GDI AWD		Gasolina	4WD	2359	136	185	09.13-05.16	■
1.6 LPG (G4FD)		Gasol./Gas (LPG)	FWD	1591	99	135	01.14-12.15	■
2.0 CVVT Flex		Gasol./Etanol	FWD	1998	131	178	02.12-12.16	■
2.0 CVVT Flex AWD		Gasol./Etanol	4WD	1998	131	178	01.12-12.16	■
1.7 CRDi (D4FD)		Diesel	FWD	1685	85	116	12.10-12.15	■
2.0 CRDi (D4HA)		Diesel	FWD	1995	100	136	07.10-12.15	■
2.0 CRDi AWD (D4HA)		Diesel	4WD	1995	100	136	07.10-12.15	■
2.0 CRDi (D4HA)		Diesel	FWD	1995	130	177	08.12-12.16	■
2.0 CRDi AWD (D4HA)		Diesel	4WD	1995	130	177	08.12-12.16	■
2.0 CRDi (D4HA)		Diesel	FWD	1995	135	184	08.10-12.15	■
2.0 CRDi AWD (D4HA)		Diesel	4WD	1995	135	184	08.10-12.15	■
<b>KIA (DYK)</b>								
<b>K4 / K4 CACHET 09.14-</b>					<b>Saloon ()</b>			
1.6 (G4FJ)		Gasolina	FWD	1591	129	175	09.14-	■
<b>K5 03.11-</b>					<b>Saloon (Executive car-E Segment)</b>			
1.6 T		Gasolina	FWD	1591	132	180	10.15-	■
2.0 (G4KH)		Gasolina	FWD	1998	180	245	12.13-	■
2.0 (G4KH)		Gasolina	FWD	1998	180	245	10.15-	■
2.0 Hybrid (G4NG)		Gasol./eléc.	FWD	1999	115	156	06.16-	■
<b>KX3 (KC) 03.15-</b>					<b>Closed Off-Road Vehicle (Compact SUV-J Segment)</b>			
1.6 T		Gasolina	FWD	1591	118	160	03.15-	■

# LISTA DE APLICACIONES - BUYERS GUIDE

2.0		Gasolina	FWD	1999	118	161	03.15-	■	
2.0		Gasolina	FWD	1999	118	161	03.15-	■	
<b>SPORTAGE III (NP) 04.18-</b>					<b>SUV (Compact SUV-J Segment)</b>				
1.4 (G4LD)		Gasolina	FWD	1353	103	140	03.19-	■	
2.0 (G4NA)		Gasolina	FWD	1999	118	161	04.18-	■	
<b>SPORTAGE-R (SL) 10.10-</b>					<b>Closed Off-Road Vehicle (Compact SUV-J Segment)</b>				
2.0		Gasolina	FWD	1998	120	163	10.10-	■	
2.0		Gasolina	FWD	1998	120	163	10.10-	■	
2.4		Gasolina	FWD	2359	128	174	10.10-	■	
<b>SPORTAGE-R (SL) 10.10-</b>					<b>SUV (Compact SUV-J Segment)</b>				
2.0 (G4NA)		Gasolina	FWD	1999	121	165	11.11-12.18	■	
2.0 4WD (G4NA)		Gasolina	4WD	1999	121	165	11.11-	■	
<b>SOUEAST</b>									
<b>DX3 11.16-</b>					<b>SUV ()</b>				
EV (TZ230XS090)		Eléctrico	FWD	0	90	122	03.18-	■	
EV400 (TZ230XS090)		Eléctrico	FWD	0	90	122	08.18-	■	
<b>DX7 07.15-</b>					<b>SUV ()</b>				
1.5 T (4A91T)		Gasolina	FWD	1499	115	156	07.15-	■	
280 T (4K20D4T)		Gasolina	FWD	1796	145	197	07.18-	■	
2.0 T (4G63-T)		Gasolina	FWD	1997	143	194	07.15-	■	