

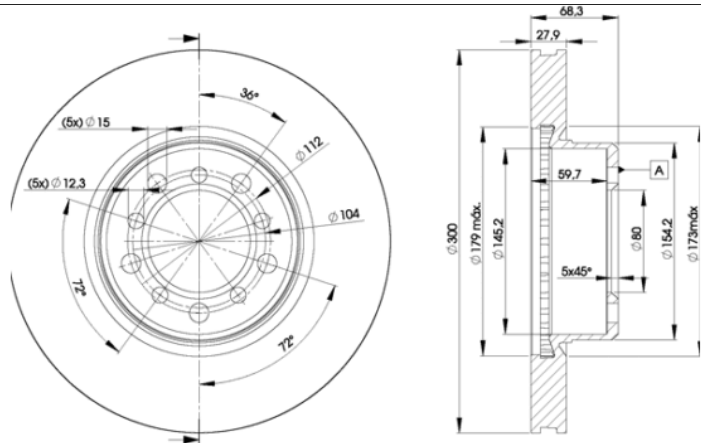
LISTA DE APLICACIONES - BUYERS GUIDE

78BD0805-2



Weight: 16.390

O.E.M.	MAKE
126 421 04 12	MERCEDES-BENZ
126 421 05 12	MERCEDES-BENZ
1264211412	MERCEDES-BENZ
A1264210412	MERCEDES-BENZ
A1264210512	MERCEDES-BENZ
A1264211412	MERCEDES-BENZ



78BD0805-2

E1 90R-02C0074/0090



Ø300x27.8x68.2

MAKE
MERCEDES-BENZ



Trac.	CC	Kw	CV
-------	----	----	----



Front / Rear

MERCEDES-BENZ

S-Class II (C126) 08.80-06.91

Coupe (Luxury car-F Segment)

Model	Trac.	CC	Kw	CV	Period	Availability
420 SEC (126.046) (M 116.965)	RWD	4196	150	204	10.85-06.91	■
420 SEC (126.046) (M 116.965)	RWD	4196	160	218	10.85-12.87	■
420 SEC (126.046) (M 116.965)	RWD	4196	165	224	10.85-06.91	■
420 SEC (126.046) (M 116.965)	RWD	4196	170	231	09.86-06.91	■
500 SEC (126.044) (M 117.965)	RWD	4973	164	223	10.85-06.91	■
500 SEC (126.044) (M 117.965)	RWD	4973	180	245	09.85-06.91	■
500 SEC (126.044) (M 117.965)	RWD	4973	185	252	08.87-06.91	■
500 SEC Cat (M 117.965)	RWD	4973	185	252	06.89-06.91	■
500 SEC (126.044) (M 117.965)	RWD	4973	195	265	09.85-06.91	■
560 SEC (126.045) (M 117.968)	RWD	5547	178	242	10.85-06.91	■
560 SEC (126.045) (M 117.968)	RWD	5547	200	272	10.85-12.87	■
560 SEC (126.045) (M 117.968)	RWD	5547	205	279	10.85-06.91	■
560 SEC (126.045) (M 117.968)	RWD	5547	220	300	10.85-12.89	■

S-Class II (W126) 10.79-06.91

Saloon (Luxury car-F Segment)

Model	Trac.	CC	Kw	CV	Period	Availability
260 SE (126.020) (M 103.941)	RWD	2599	118	160	09.85-06.91	■
260 SE (126.020) (M 103.941)	RWD	2599	122	166	09.85-06.91	■
300 SE, SEL (126.024, 126.025) (M 103.981)	RWD	2960	132	180	01.86-06.91	■
300 SE, SEL (126.024, 126.025) (M 103.981)	RWD	2960	138	188	09.85-12.89	■
420 SE, SEL (126.034, 126.035) (M 116.965)	RWD	4196	150	204	10.85-06.91	■
420 SE, SEL (126.034) (M 116.965)	RWD	4196	160	218	10.85-12.87	■
420 SE, SEL (126.035, 126.034) (M 116.965)	RWD	4196	165	224	10.85-06.91	■
420 SE, SEL (126.035, 126.034) (M 116.965)	RWD	4196	170	231	10.85-12.87	■
500 SE, SEL (126.036) (M 117.965)	RWD	4973	164	223	09.85-06.91	■

LISTA DE APLICACIONES - BUYERS GUIDE

500 SE, SEL (126.036) (M 117.965)	Gasolina	RWD	4973	180	245	09.85-06.91	■
500 SE, SEL (126.037, 126.036) (M 117.965)	Gasolina	RWD	4973	185	252	09.87-06.91	■
500 SE, SEL Cat (126.037, 126.036) (M 117.965)	Gasolina	RWD	4973	185	252	06.89-06.91	■
500 SE, SEL (126.037, 126.036) (M 117.965)	Gasolina	RWD	4973	195	265	09.87-06.91	■
560 SE, SEL (126.038, 126.039) (M 117.968)	Gasolina	RWD	5547	178	242	10.85-06.91	■
560 SE, SEL (126.038) (M 117.968)	Gasolina	RWD	5547	200	272	10.85-12.87	■
560 SE, SEL (126.038) (M 117.968)	Gasolina	RWD	5547	205	279	08.87-06.91	■
560 SE, SEL (126.039, 126.038) (M 117.968)	Gasolina	RWD	5547	220	300	10.85-06.91	■
300 SDL (126.125) (OM 603.961)	Diesel	RWD	2996	107	146	09.86-12.87	■
300 SDL (126.125)	Diesel	RWD	2996	110	150	09.85-12.86	■
350 SD, SDL	Diesel	RWD	3449	110	150	09.89-06.91	■