

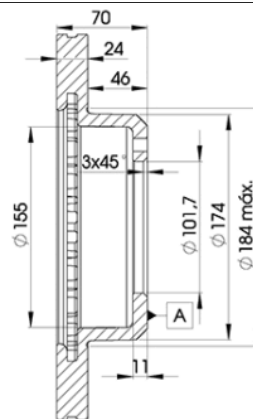
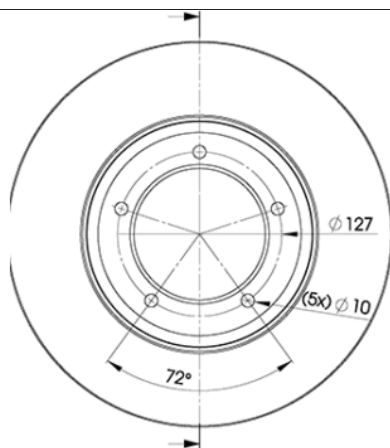
LISTA DE APLICACIONES - BUYERS GUIDE

78BD0902-2



Weight: 16.436

O.E.M.	MAKE
FTC902	LAND ROVER
LR-017952	LAND ROVER



78BD0902-2

E1 90R-02C0452/0127



Ø298x24x70

MAKE
LAND ROVER



Trac.	CC	Kw	CV
-------	----	----	----



Front / Rear

LAND ROVER

DEFENDER II (L316, L315) 05.90-10.17						Closed Off-Road Vehicle (Off-Road SUV-J Segment)			
2.5 4x4 (17 H)		Gasolina	4WD	2495	61	83	09.90-12.94	■	
3.5 4x4 (11 D)		Gasolina	4WD	3528	86	117	09.90-08.93	■	
3.5 4x4 (21 G)		Gasolina	4WD	3528	86	117	09.90-08.93	■	
3.5 4x4 (15G)		Gasolina	4WD	3528	100	136	09.90-07.94	■	
3.5 4x4 (21 G)		Gasolina	4WD	3528	100	136	09.90-07.94	■	
3.9 4x4 (L316) (37 L)		Gasolina	4WD	3947	134	182	01.93-09.00	■	
3.9 V8 4x4 (L316) (37 L)		Gasolina	4WD	3947	136	185	11.98-02.16	■	
2.2 Td4 4x4 (L316) (DT224)		Diesel	4WD	2198	90	122	08.11-02.16	■	
2.2 Td4 4x4 (L316) (DT224)		Diesel	4WD	2198	110	150	02.15-02.16	■	
2.4 Td4 4x4 (L316) (DT244)		Diesel	4WD	2402	90	122	10.06-02.16	■	
2.4 TD4 4x4 (DT244)		Diesel	4WD	2402	103	140	07.07-02.16	■	
2.5 D 4x4 (L316) (12 J)	07/93-	Diesel	4WD	2495	51	69	09.90-07.94	■	
2.5 TDI 4x4 (L316) (11 L)		Diesel	4WD	2495	83	113	08.90-12.98	■	
2.5 TDI 4x4 (L316) (16 L)		Diesel	4WD	2495	83	113	08.90-12.98	■	
2.5 TDI 4x4 (L316) (23 L)		Diesel	4WD	2495	83	113	08.90-12.98	■	
2.5 TD 4x4 (L316)		Diesel	4WD	2495	85	116	08.98-12.05	■	
2.5 Td5 4x4 (L316) (10 P)		Diesel	4WD	2495	90	122	06.98-02.16	■	
2.5 Td5 4x4 (L316) (14 P)		Diesel	4WD	2495	90	122	06.98-02.16	■	
2.5 Td5 4x4 (L316) (15 P)		Diesel	4WD	2495	90	122	06.98-02.16	■	
DEFENDER II (L316) 08.90-02.16						Open Off-Road Vehicle (Off-Road SUV-J Segment)			
3.5 4x4 (21 G)		Gasolina	4WD	3528	86	117	09.90-08.93	■	
3.9 4x4 (37 L)		Gasolina	4WD	3947	134	182	04.98-09.00	■	

LISTA DE APLICACIONES - BUYERS GUIDE

2.2 Td4 4x4 (L317) (DT224)		Diesel	4WD	2198	90	122	08.11-02.16	■	
2.4 Td4 4x4 (L317) (DT244)		Diesel	4WD	2402	90	122	05.07-02.16	■	
2.5 D 4x4 (L316) (12 J)	07/93-	Diesel	4WD	2495	51	69	09.90-07.94	■	
2.5 TDI 4x4 (L316) (11 L)		Diesel	4WD	2495	83	113	08.90-11.98	■	
2.5 TDI 4x4 (L316) (16 L)		Diesel	4WD	2495	83	113	08.90-11.98	■	
2.5 TDI 4x4 (L316) (23 L)		Diesel	4WD	2495	83	113	08.90-11.98	■	
2.5 Td5 4x4 (L316) (10 P)		Diesel	4WD	2495	90	122	06.98-02.16	■	
2.5 Td5 4x4 (L316) (14 P)		Diesel	4WD	2495	90	122	06.98-02.16	■	
2.5 Td5 4x4 (L316) (15 P)		Diesel	4WD	2495	90	122	06.98-02.16	■	
DEFENDER II (L316) 01.94-10.17					Open Off-Road Vehicle (Pick-Up Truck)				
2.8		Gasolina	FWD	2793	140	190	11.98-09.03	■	
4.0 4x4 (37 L)		Gasolina	4WD	3947	134	182	04.98-09.00	■	
2.2 Td4 4x4 (L317) (DT224)		Diesel	4WD	2198	90	122	08.11-02.16	■	
2.4 Td4 4x4 (L317) (DT244)		Diesel	4WD	2402	90	122	05.07-02.16	■	
2.5 Td5 4x4 (L316) (10 P)		Diesel	4WD	2495	90	122	06.98-02.16	■	
2.5 Td5 4x4 (L316) (15 P)		Diesel	4WD	2495	90	122	06.98-02.16	■	
DEFENDER II (L316) 09.90-02.16					Platform/Chassis (Off-Road SUV-J Segment)				
2.2 Td4 4x4 (L317) (DT224)		Diesel	4WD	2198	90	122	08.11-02.16	■	
2.4 TD4 4x4 (DT244)		Diesel	4WD	2402	90	122	05.07-02.16	■	
DISCOVERY (LJ) 06.89-12.98					Closed Off-Road Vehicle (Executive SUV-J Segment)				
2.0 16V 4x4 (20 T4H)		Gasolina	4WD	1994	99	135	06.89-10.98	■	
3.5 4x4 (27G)		Gasolina	4WD	3528	84	114	11.89-09.90	■	
3.5 4x4 (15G)		Gasolina	4WD	3528	98	133	06.89-08.90	■	
3.5 4x4 (SALLJG) (22 D)		Gasolina	4WD	3531	113	154	06.89-06.94	■	
3.5 4x4 (22 D)		Gasolina	4WD	3531	122	166	06.89-06.94	■	
4.0 4x4 (35 D)		Gasolina	4WD	3947	134	182	09.93-10.98	■	
4.0 4x4 (36 D)		Gasolina	4WD	3947	134	182	09.93-10.98	■	
4.0 4x4 (37 L)		Gasolina	4WD	3947	136	185	09.93-10.98	■	
2.5 TDI 4x4 (12 L)		Diesel	4WD	2495	83	113	10.89-10.98	■	
2.5 TDI 4x4 (17 L)		Diesel	4WD	2495	83	113	10.89-10.98	■	
2.5 TDI 4x4 (19 L)		Diesel	4WD	2495	83	113	10.89-10.98	■	
2.5 TDI 4x4 (21 L)		Diesel	4WD	2495	83	113	10.89-10.98	■	
2.5 TDI 4x4 (17 L)		Diesel	4WD	2495	90	122	06.93-10.98	■	
2.5 TDI 4x4 (19 L)		Diesel	4WD	2495	90	122	06.93-10.98	■	
2.5 TDI 4x4 (22 L)		Diesel	4WD	2495	90	122	06.93-10.98	■	
2.5 D 4x4		Diesel	4WD	2496	85	116	10.93-12.98	■	
DISCOVERY II (L318) 10.98-08.04					Closed Off-Road Vehicle (Executive SUV-J Segment)				
4.0 V8 4x4 (35 D)		Gasolina	4WD	3947	136	185	11.98-06.04	■	
4.0 V8 4x4 (56 D)		Gasolina	4WD	3947	136	185	11.98-06.04	■	
4.0 V8 4x4 (94 D)		Gasolina	4WD	3947	136	185	11.98-06.04	■	
2.5 Td5 4x4 (10 P)		Diesel	4WD	2495	100	136	11.98-06.04	■	
2.5 Td5 4x4 (15 P)		Diesel	4WD	2495	100	136	11.98-06.04	■	
RANGE ROVER I 10.69-04.96					Closed Off-Road Vehicle (Executive SUV-J Segment)				
3.5 Vogue 4x4 (11 D)		Gasolina	4WD	3528	93	126	08.81-09.90	■	
3.5 4x4 (11 D)		Gasolina	4WD	3528	96	131	10.69-08.91	■	
3.5 4x4 (31 D)		Gasolina	4WD	3528	107	146	01.87-09.90	■	
3.5 Vogue 4x4 (24 D)		Gasolina	4WD	3528	120	163	10.85-09.90	■	
3.5 Vogue 4x4 (25 D)		Gasolina	4WD	3528	120	163	10.85-09.90	■	

LISTA DE APLICACIONES - BUYERS GUIDE

3.9 Cat 4x4 (37 D)	Gasolina	4WD	3947	127	173	11.88-07.94	■
3.9 Cat 4x4 (38 D)	Gasolina	4WD	3947	127	173	11.88-07.94	■
3.9 4x4 (35 D)	Gasolina	4WD	3947	134	182	11.88-12.92	■
3.9 Vogue SEI 4x4 (35 D)	Gasolina	4WD	3947	134	182	11.88-07.94	■
3.9 Vogue SEI 4x4 (36 D)	Gasolina	4WD	3947	134	182	11.88-07.94	■
3.9 4x4 (42 D)	Gasolina	4WD	3947	136	185	10.89-12.94	■
4.3	Gasolina	FWD	4273	147	200	09.92-04.96	■
4.3 Vogue LSE 4x4 (40 D)	Gasolina	4WD	4275	149	203	09.92-07.94	■
2.4 TD 4x4 (11 A)	Diesel	4WD	2393	83	113	04.86-07.94	■
2.4 TD 4x4 (11 A)	Diesel	4WD	2393	89	121	10.89-02.92	■
2.5 TDI 4x4 (14 L)	Diesel	4WD	2495	83	113	11.92-04.96	■
2.5 TDI 4x4 (21 L)	Diesel	4WD	2495	83	113	11.92-04.96	■
2.5 TD 4x4 (14 L)	Diesel	4WD	2498	89	121	10.89-11.92	■
2.5 TD 4x4 (21 L)	Diesel	4WD	2498	89	121	10.89-11.92	■
2.5 TD 4x4 (95 A)	Diesel	4WD	2498	89	121	10.89-11.92	■