

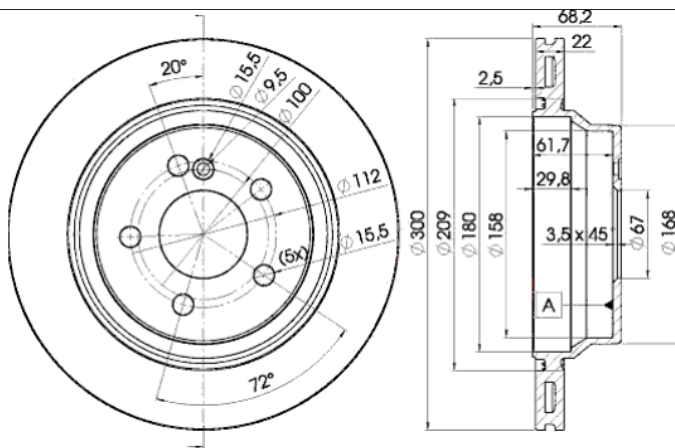
# LISTA DE APLICACIONES - BUYERS GUIDE

## 78BD0910-2



Weight: 14.470

O.E.M.	MAKE
211 423 09 12	MERCEDES-BENZ



## 78BD0910-2

**E1 90R-02C0438/1360**



Ø300x22x68.5

MAKE
MERCEDES-BENZ
MERCEDES-BENZ (BBDC)



Trac.	CC	Kw	CV
-------	----	----	----



Front / Rear

### MERCEDES-BENZ

#### CLS-Class (C219) 10.04-12.12

#### Coupe (Executive car-E Segment)

CLS 350 (219.356) (M 272.964)	Gasolina	RWD	3498	200	272	10.04-12.10	■
CLS 350 (219.357) (M 272.985)	Gasolina	RWD	3498	215	292	04.06-12.10	■
CLS 350 CGI (219.357)	Gasolina	RWD	3498	215	292	04.09-12.10	■
CLS 500 (219.375) (M 113.967)	Gasolina	RWD	4966	225	306	10.04-12.10	■
CLS 500 (219.372) (M 273.960)	Gasolina	RWD	5461	285	388	04.06-12.10	■
CLS 320 CDI (219.322) (OM 642.920)	Diesel	RWD	2987	165	224	01.05-12.10	■
CLS 350 CDI (219.322) (OM 642.920)	Diesel	RWD	2987	200	272	04.09-12.10	■

#### CLS-Class II (C218) 01.11-12.17

#### Coupe (Executive car-E Segment)

CLS 400 (218.365) (M 276.820)	Gasolina	RWD	2996	245	333	05.14-12.17	■
CLS 400 4-matic (218.368) (M 276.820)	Gasolina	4WD	2996	245	333	05.14-12.17	■
CLS 350 (218.359) (M 276.952)	Gasolina	RWD	3498	225	306	01.11-08.14	■
CLS 400 (218.361) (M 276.850)	Gasolina	RWD	3498	245	333	07.14-12.17	■
CLS 400 4-matic (218.368) (M 276.850)	Gasolina	4WD	3498	245	333	07.14-12.17	■
CLS 350 BlueTEC / d (218.926) (OM 642.852)	Diesel	RWD	2987	185	252	02.13-12.17	■
CLS 350 BlueTEC / d (218.926) (OM 642.853)	Diesel	RWD	2987	185	252	02.13-12.17	■
CLS 350 BlueTEC / d 4-matic (218.994) (OM 642.854)	Diesel	4WD	2987	185	252	02.13-12.17	■
CLS 350 BlueTEC / d 4-matic (218.994) (OM 642.858)	Diesel	4WD	2987	185	252	02.13-12.17	■
CLS 350 BlueTEC / d (218.926) (OM 642.852)	Diesel	RWD	2987	190	258	06.14-12.17	■
CLS 350 BlueTEC / d (218.926) (OM 642.853)	Diesel	RWD	2987	190	258	06.14-12.17	■
CLS 350 d 4-matic (218.394) (OM 642.854)	Diesel	4WD	2987	190	258	04.15-12.17	■
CLS 350 d 4-matic (218.394) (OM 642.858)	Diesel	4WD	2987	190	258	04.15-12.17	■
CLS 350 CDI / d (218.323) (OM 642.852)	Diesel	RWD	2987	195	265	01.11-08.14	■

# LISTA DE APLICACIONES - BUYERS GUIDE

CLS 350 CDI / d (218.323) (OM 642.853)		Diesel	RWD	2987	195	265	01.11-08.14	■	
CLS 350 CDI / d 4-matic (218.993) (OM 642.854)		Diesel	4WD	2987	195	265	09.11-08.14	■	
CLS 350 CDI / d 4-matic (218.993) (OM 642.858)		Diesel	4WD	2987	195	265	09.11-08.14	■	
<b>CLS-Class II Shooting Brake (X218) 10.12-</b>					<b>Estate (Executive car-E Segment)</b>				
CLS 400 (218.965) (M 276.820)		Gasolina	RWD	2996	245	333	05.14-12.17	■	
CLS 400 4-matic (218.968) (M 276.820)		Gasolina	4WD	2996	245	333	05.14-12.17	■	
CLS 350 (218.959) (M 276.952)		Gasolina	RWD	3498	225	306	10.12-08.14	■	
CLS 400 (218.961) (M 276.850)		Gasolina	RWD	3498	245	333	07.14-12.17	■	
CLS 400 4-matic (218.968) (M 276.850)		Gasolina	4WD	3498	245	333	07.14-12.17	■	
CLS 350 BlueTEC / d (218.926) (OM 642.852)		Diesel	RWD	2987	185	252	05.14-12.17	■	
CLS 350 BlueTEC / d (218.926) (OM 642.853)		Diesel	RWD	2987	185	252	05.14-12.17	■	
CLS 350 BlueTEC / d 4-matic (218.994) (OM 642.854)		Diesel	4WD	2987	185	252	05.14-12.17	■	
CLS 350 BlueTEC / d 4-matic (218.994) (OM 642.858)		Diesel	4WD	2987	185	252	05.14-12.17	■	
CLS 350 BlueTEC / d (218.926) (OM 642.852)		Diesel	RWD	2987	190	258	05.14-12.17	■	
CLS 350 BlueTEC / d (218.926) (OM 642.853)		Diesel	RWD	2987	190	258	05.14-12.17	■	
CLS 350 d 4-matic (218.994) (OM 642.854)		Diesel	4WD	2987	190	258	04.15-12.17	■	
CLS 350 d 4-matic (218.994) (OM 642.858)		Diesel	4WD	2987	190	258	04.15-12.17	■	
CLS 350 CDI / d (218.923) (OM 642.852)		Diesel	RWD	2987	195	265	10.12-08.14	■	
CLS 350 CDI / d (218.923) (OM 642.853)		Diesel	RWD	2987	195	265	10.12-08.14	■	
CLS 350 CDI / d 4-matic (218.993) (OM 642.853)		Diesel	4WD	2987	195	265	10.12-08.14	■	
CLS 350 CDI / d 4-matic (218.993) (OM 642.854)		Diesel	4WD	2987	195	265	10.12-08.14	■	
<b>E-Class III (VF211) 03.03-07.09</b>					<b>Platform/Chassis (LCVs-N1 Segment)</b>				
E 220 CDI (211.606) (OM 646.961)		Diesel	RWD	2148	110	150	10.03-07.06	■	
E 220 CDI (211.608) (OM 646.821)		Diesel	RWD	2148	125	170	04.06-07.09	■	
E 270 CDI (211.616) (OM 647.961)		Diesel	RWD	2685	120	163	03.03-07.09	■	
E 270 CDI (211.616) (OM 647.961)		Diesel	RWD	2685	130	177	10.03-07.05	■	
E 280 CDI (211.620) (OM 642.920)		Diesel	RWD	2987	140	190	08.05-07.09	■	
<b>E-Class III (W211) 03.02-03.09</b>					<b>Saloon (Executive car-E Segment)</b>				
E 200 Kompressor (211.042) (M 271.941)	for taxis	Gasolina	RWD	1796	120	163	11.02-12.08	■	
E 200 CGI	for taxis	Gasolina	FWD	1796	125	170	11.02-12.08	■	
E 200 Kompressor (211.042) (M 271.956)	for taxis	Gasolina	RWD	1796	135	184	04.06-12.08	■	
E 230 (211.052) (M 272.922)	for taxis	Gasolina	RWD	2496	150	204	09.07-12.08	■	
E 240 (211.061) (M 112.913)	for taxis	Gasolina	RWD	2597	130	177	03.02-12.08	■	
E 240 (211.061) (M 112.917)	for taxis	Gasolina	RWD	2597	130	177	03.02-12.08	■	
E 240 4-matic (211.080) (M 112.917)		Gasolina	4WD	2597	130	177	03.03-12.08	■	
E 280 (211.054) (M 272.943)	for taxis	Gasolina	RWD	2996	170	231	03.05-12.08	■	
E 320 (211.065) (M 112.949)	for taxis	Gasolina	RWD	3199	165	224	03.02-12.08	■	
E 320 4-matic (211.082) (M 112.954)	for taxis	Gasolina	4WD	3199	165	224	03.03-12.08	■	
E 350 (211.056) (M 272.964)	for taxis	Gasolina	RWD	3498	200	272	03.05-12.08	■	
3.5	for taxis	Gasolina	FWD	3498	205	279	08.04-08.06	■	
E 350 CGI (211.057) (M 272.985)	for taxis	Gasolina	RWD	3498	215	292	09.07-12.08	■	
E 500 (211.070) (M 113.967)	for taxis	Gasolina	RWD	4966	225	306	03.02-12.08	■	
E 500 4-matic (211.083) (M 113.969)	for taxis	Gasolina	4WD	4966	225	306	10.03-12.08	■	
E 55 AMG Kompressor (211.076) (M 113.990)		Gasolina	RWD	5439	350	476	10.02-12.08	■	
E 500 4-matic (211.090) (M 273.962)		Gasolina	4WD	5461	285	388	04.06-12.08	■	
E 200 NGT (211.042) (M 271.941)	for taxis	Gasol./Gas (CNG)	RWD	1796	120	163	03.04-12.08	■	

# LISTA DE APLICACIONES - BUYERS GUIDE

E 250 CDI	for taxis	Diesel	RWD	2143	150	204	08.08-12.08	■
E 200 CDI (211.004) (OM 646.951)	for taxis	Diesel	RWD	2148	75	102	07.02-12.08	■
E 200 CDI (211.004) (OM 646.951)	for taxis	Diesel	RWD	2148	90	122	07.02-12.08	■
E 200 CDI (211.007) (OM 646.820)	for taxis	Diesel	RWD	2148	100	136	04.06-12.08	■
E 220 CDI (211.006) (OM 646.961)	for taxis	Diesel	RWD	2148	100	136	03.02-12.08	■
E 220 CDI (211.006) (OM 646.961)	for taxis	Diesel	RWD	2148	110	150	03.02-12.08	■
E 220 CDI (211.008) (OM 646.821)	for taxis	Diesel	RWD	2148	125	170	04.06-12.08	■
E 220 CDI (211.008) (OM 646.821)	sports package	Diesel	RWD	2149	120	163	03.03-12.08	■
E 270 CDI (211.016) (OM 647.961)		Diesel	RWD	2685	120	163	03.02-12.08	■
E 270 CDI (211.016) (OM 647.961)	for taxis	Diesel	RWD	2685	130	177	03.02-12.08	■
E 280 CDI (211.020) (OM 642.920)	for taxis	Diesel	RWD	2987	140	190	03.05-12.08	■
E 280 CDI 4-matic (211.084) (OM 642.921)	not for taxis	Diesel	4WD	2987	140	190	03.05-12.08	■
E 300 BlueTEC (211.024) (OM 642.920)	for taxis	Diesel	RWD	2987	155	211	09.07-12.08	■
E320 CDI (211.022)		Diesel	RWD	2987	156	212	09.06-12.08	■
E320 CDI (211.022) (OM 642.920)	for taxis	Diesel	RWD	2987	165	224	03.05-12.08	■
E 320 CDI 4-matic (211.089) (OM 642.910)	for taxis	Diesel	4WD	2987	165	224	03.05-12.08	■
E 320 CDI 4-matic (211.089) (OM 642.921)	for taxis	Diesel	4WD	2987	165	224	03.05-12.08	■
E 280 CDI (211.023) (OM 648.961)	for taxis	Diesel	RWD	3222	130	177	05.04-12.08	■
E 320 CDI (211.026) (OM 648.961)	for taxis	Diesel	RWD	3222	150	204	11.02-12.08	■
E 400 CDI (211.028) (OM 628.961)		Diesel	RWD	3996	191	260	02.03-12.08	■
<b>E-Class III T-Model (S211) 02.03-07.09</b>				<b>Estate (Executive car-E Segment)</b>				
E 200 T Kompressor (211.242) (M 271.941)		Gasolina	RWD	1796	120	163	03.03-07.09	■
E 200 Kompressor (211.241) (M 271.956)		Gasolina	RWD	1796	135	184	04.06-07.09	■
E 230 T (211.252) (M 272.922)		Gasolina	RWD	2496	150	204	05.07-07.09	■
E 240 T (211.261) (M 112.913)		Gasolina	RWD	2597	130	177	03.03-07.09	■
E 240 T 4-matic (211.280) (M 112.917)		Gasolina	4WD	2597	130	177	07.03-07.09	■
E 280 T (211.254) (M 272.943)		Gasolina	RWD	2996	170	231	03.05-07.09	■
E 280 T 4-matic (211.292) (M 272.943)		Gasolina	4WD	2996	170	231	03.05-07.09	■
E 280 T 4-matic (211.292) (M 272.944)		Gasolina	4WD	2996	170	231	03.05-07.09	■
E 320 T (211.265) (M 112.949)		Gasolina	RWD	3199	165	224	03.03-07.09	■
E 320 T 4-matic (211.282) (M 112.954)		Gasolina	4WD	3199	165	224	07.03-07.09	■
E 350 T (211.256) (M 272.964)		Gasolina	RWD	3498	200	272	03.05-07.09	■
E 350 T 4-matic (211.287) (M 272.972)		Gasolina	4WD	3498	200	272	03.05-07.09	■
350 CGI (211.257) (M 272.985)		Gasolina	RWD	3498	215	292	05.06-07.09	■
E 500 T 4-matic (211.283) (M 113.969)		Gasolina	4WD	4966	225	306	10.03-07.09	■
E 55 T AMG Kompressor (211.276) (M 113.990)		Gasolina	RWD	5439	350	476	07.03-07.09	■
E 500 T 4-matic (211.290) (M 273.962)		Gasolina	4WD	5461	285	388	04.06-07.09	■
E 200 CDI (211.207) (OM 646.821)		Diesel	RWD	2148	100	136	04.06-07.09	■
E 220 CDI (211.206) (OM 646.961)		Diesel	RWD	2148	100	136	03.03-07.09	■
E 220 T CDI (211.206) (OM 646.961)		Diesel	RWD	2148	110	150	03.03-07.09	■
E 220 T CDI (211.208) (OM 646.821)		Diesel	RWD	2148	125	170	04.06-07.09	■
E 270 T CDI (211.216) (OM 647.961)		Diesel	RWD	2685	120	163	03.03-07.09	■
E 270 T CDI (211.216) (OM 647.961)		Diesel	RWD	2685	130	177	03.03-07.09	■
E 280 T CDI (211.220) (OM 642.920)		Diesel	RWD	2987	140	190	03.05-07.09	■
E 280 T CDI 4-matic (211.284) (OM 642.921)		Diesel	4WD	2987	140	190	03.05-07.09	■
E 320 T CDI (211.222) (OM 642.920)		Diesel	RWD	2987	155	211	11.07-07.09	■
E 320 T CDI (211.222) (OM 642.920)		Diesel	RWD	2987	165	224	03.05-07.09	■
E 320 T CDI 4-matic (211.289) (OM 642.921)		Diesel	4WD	2987	165	224	03.05-07.09	■
E 280 T CDI (211.223) (OM 648.961)		Diesel	RWD	3222	130	177	05.04-07.09	■
E 320 T CDI (211.226) (OM 648.961)	-07/05	Diesel	RWD	3222	150	204	03.03-07.09	■

# LISTA DE APLICACIONES - BUYERS GUIDE

<b>E-Class IV (W212) 01.09-</b>					<b>Saloon (Executive car-E Segment)</b>			
E 200 CGI (212.048, 212.148) (M 271.820)		Gasolina	RWD	1796	135	184	08.09-12.15	■
E 200 CGI (212.048, 212.148) (M 271.860)		Gasolina	RWD	1796	135	184	08.09-12.15	■
E 200 (212.034) (M 274.920)		Gasolina	RWD	1991	135	184	01.13-12.16	■
E 250 (212.036) (M 274.920)		Gasolina	RWD	1991	155	211	01.13-12.16	■
E 300 (212.054) (M 272.952)		Gasolina	RWD	2996	170	231	01.09-12.13	■
E 400 (212.065) (M 276.820)		Gasolina	RWD	2996	245	333	01.13-12.16	■
E 400 4-matic (212.067) (M 276.820)		Gasolina	4WD	2996	245	333	01.13-12.16	■
E 300 (212.055) (M 276.952)		Gasolina	RWD	3498	185	252	07.11-12.15	■
E 300 4-matic (212.080) (M 276.952)		Gasolina	4WD	3498	185	252	07.11-12.15	■
E 350 4-matic (212.087) (M 272.977)		Gasolina	4WD	3498	200	272	01.09-08.11	■
E 350 CGI (212.057) (M 272.982)		Gasolina	RWD	3498	215	292	01.09-08.11	■
E 350 CGI (212.057) (M 272.983)		Gasolina	RWD	3498	215	292	01.09-08.11	■
E 400 (212.061) (M 276.850)		Gasolina	RWD	3498	245	333	07.14-12.15	■
E 250 CDI / BlueTEC(212.004) (OM 651.924)		Diesel	RWD	2143	150	204	01.09-12.16	■
E 300 CDI (212.020) (OM 642.850)		Diesel	RWD	2987	150	204	12.09-12.10	■
E 350 BlueTEC (212.024) (OM 642.850)		Diesel	RWD	2987	155	211	01.09-12.15	■
E 350 CDI		Diesel	RWD	2987	157	214	09.10-12.15	■
E 350 CDI (212.025) (OM 642.850)		Diesel	RWD	2987	170	231	01.09-12.15	■
<b>E-Class IV T-Model (S212) 08.09-</b>					<b>Estate (Executive car-E Segment)</b>			
E 400 (212.265) (M 276.820)		Gasolina	RWD	2996	245	333	01.13-12.16	■
E 400 4-matic (212.267) (M 276.820)		Gasolina	4WD	2996	245	333	01.13-12.16	■
E 300 (212.255) (M 276.952)		Gasolina	RWD	3498	185	252	07.11-12.16	■
E 300 4-matic (212.280) (M 276.952)		Gasolina	4WD	3498	185	252	07.11-12.16	■
E 400 (212.261) (M 276.850)		Gasolina	RWD	3498	245	333	07.14-12.16	■
E 400 4-matic (212.299) (M 276.850)		Gasolina	4WD	3498	245	333	07.14-12.16	■
E 250 CDI / BlueTEC 4-matic (212.282, 212.297) (OM 651.924)	sports package	Diesel	4WD	2143	150	204	07.10-12.16	■
<b>GLK-Class (X204) 06.08-</b>					<b>SUV (Luxury Crossover SUV-J Segment)</b>			
200 (204.934) (M 274.920)		Gasolina	RWD	1991	135	184	08.13-06.15	■
250 (204.936) (M 274.920)		Gasolina	RWD	1991	155	211	08.13-06.15	■
250 4-matic (204.937) (M 274.920)		Gasolina	4WD	1991	155	211	08.13-06.15	■
280 4-matic (204.981) (M 272.948)		Gasolina	4WD	2996	170	231	06.08-06.09	■
300 4-matic (204.990) (M 276.957)		Gasolina	4WD	3498	182	248	09.09-12.15	■
300 4-matic (204.990) (M 276.957)		Gasolina	4WD	3498	185	252	09.09-06.15	■
350 (204.956) (M 272.991)		Gasolina	RWD	3498	200	272	04.09-06.15	■
350 4-matic (204.987) (M 272.971)		Gasolina	4WD	3498	200	272	06.08-04.11	■
200 CDI (204.901) (OM 651.916)		Diesel	RWD	2143	100	136	12.13-06.15	■
250 CDI 4-matic (204.982, 204.904) (OM 651.912)		Diesel	4WD	2143	150	204	09.09-06.15	■
320 CDI 4-matic (204.983) (OM 642.961)		Diesel	4WD	2987	165	224	06.08-06.15	■
350 CDI 4-matic (204.993) (OM 642.832)		Diesel	4WD	2987	170	231	02.10-06.15	■
350 CDI 4-matic (204.993) (OM 642.835)		Diesel	4WD	2987	195	265	07.12-06.15	■
<b>MERCEDES-BENZ (BBDC)</b>								
<b>E-Class (W211) 11.05-</b>					<b>Saloon (Executive car-E Segment)</b>			
1.8 E 200 Kompressor (211.041)		Gasolina	RWD	1796	135	184	09.06-12.12	■
3.5 E 350 (211.056)		Gasolina	RWD	3498	200	272	11.05-12.09	■