

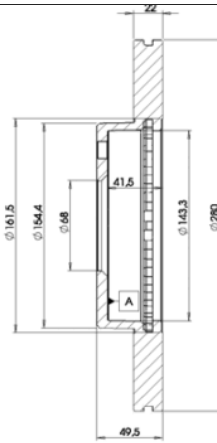
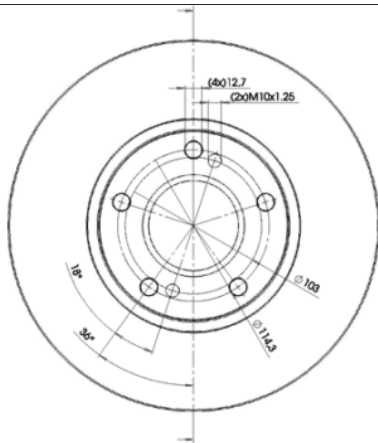
LISTA DE APLICACIONES - BUYERS GUIDE

**78BD1057-2**



Weight: 13.504

O.E.M.	MAKE
40206-2F500	NISSAN
40206-2F501	NISSAN
40206-55F01	NISSAN
40206-55F03	NISSAN
40206-73L01	NISSAN



**78BD1057-2**

**E1 90R-02C0452/0118**



Ø280x22x49.6

MAKE
NISSAN



Trac.	CC	Kw	CV
-------	----	----	----



Front / Rear

**NISSAN**

**200SX (S13) 07.88-12.95**

**Coupe (Sports car-S Segment)**

Model	Year	Fuel	Trac.	CC	Kw	CV	Period	Availability
1.8 (CA18DE)	09/93-	Gasolina	RWD	1809	99	135	09.88-03.94	■
1.8 Turbo (CA18DT)		Gasolina	RWD	1809	122	166	01.92-09.94	■
1.8 Turbo (CA18DET)	10/91-	Gasolina	RWD	1809	124	169	07.88-11.93	■
1.8 Turbo (CA18DT)		Gasolina	RWD	1809	126	171	09.88-03.94	■
2.0 i 16V		Gasolina	RWD	1998	103	140	07.88-11.93	■

**ALMERA II / PULSAR / SENTRA (N16) 01.00-**

**Hatchback (Compact car-C Segment)**

Model	Configuration	Fuel	Trac.	CC	Kw	CV	Period	Availability
1.5 (QG15DE)	vehicles with ABS	Gasolina	FWD	1497	72	98	10.02-09.06	■
1.5 (QG15DE)	vehicles with ABS	Gasolina	FWD	1498	66	90	03.00-11.06	■
1.5 XL		Gasolina	FWD	1498	77	105	03.01-	■
1.6	vehicles with ABS	Gasolina	FWD	1597	83	113	07.00-02.03	■
1.8 (QG18DE)		Gasolina	FWD	1769	84	114	01.00-11.02	■
1.8 (QG18DE)		Gasolina	FWD	1769	85	116	10.02-09.06	■
1.5 dCi (K9K 722)		Diesel	FWD	1461	60	82	01.03-09.06	■
2.2 Di (YD22DDT)		Diesel	FWD	2184	81	110	03.00-04.03	■
2.2 dCi (YD22DDT)		Diesel	FWD	2184	82	112	09.03-09.06	■
2.2 dCi (YD22DDTI)		Diesel	FWD	2184	100	136	09.03-09.06	■

**ALMERA II / PULSAR / SENTRA (N16) 04.00-**

**Saloon (Compact car-C Segment)**

Model	Configuration	Fuel	Trac.	CC	Kw	CV	Period	Availability
1.5 (QG15DE)	vehicles with ABS	Gasolina	FWD	1497	72	98	10.02-09.06	■
1.5 (QG15DE)	vehicles with ABS	Gasolina	FWD	1498	66	90	07.00-11.06	■
1.5		Gasolina	FWD	1498	77	105	03.01-	■
1.6 (N16)	vehicles with ABS	Gasolina	FWD	1597	83	113	07.00-04.09	■
1.6		Gasolina	FWD	1597	88	120	06.00-12.09	■

# LISTA DE APLICACIONES - BUYERS GUIDE

1.8 (QG18DE)		Gasolina	FWD	1769	84	114	07.00-11.02	■	
1.8 (QG18DE)		Gasolina	FWD	1769	85	116	10.02-09.06	■	
1.8		Gasolina	FWD	1769	88	120	06.00-	■	
1.8		Gasolina	FWD	1769	94	128	01.02-	■	
2.0		Gasolina	FWD	1998	107	145	08.02-	■	
1.5 dCi (K9K 722)		Diesel	FWD	1461	60	82	01.03-09.06	■	
2.2 Di (YD22DDT)		Diesel	FWD	2184	81	110	07.00-04.03	■	
2.2 dCi (YD22DDT)		Diesel	FWD	2184	82	112	09.03-09.06	■	
2.2 dCi (YD22DDTI)		Diesel	FWD	2184	100	136	09.03-09.06	■	
<b>PRIMERA II (P11) 06.96-07.02</b>							<b>Hatchback (Large family car-D Segment)</b>		
1.6 16V (GA16DE)	vehicles with ABS	Gasolina	FWD	1597	66	90	09.96-07.02	■	
1.6 16V (GA16DE)	vehicles with ABS	Gasolina	FWD	1597	73	99	09.96-07.02	■	
1.6 16V (QG16DE)	vehicles with ABS	Gasolina	FWD	1597	78	106	09.00-07.02	■	
1.8 16V (QG18DE)	vehicles with ABS	Gasolina	FWD	1769	84	114	08.99-07.02	■	
2.0 16V (SR20DE)		Gasolina	FWD	1998	103	140	08.99-07.02	■	
2.0 16V (SR20DE)		Gasolina	FWD	1998	110	150	09.96-07.02	■	
1.6 16V LPG		Gasol./Gas (LPG)	FWD	1597	78	106	09.00-07.02	■	
1.8 16V LPG		Gasol./Gas (LPG)	FWD	1769	84	114	08.99-07.02	■	
2.0 16V LPG		Gasol./Gas (LPG)	FWD	1998	96	131	09.96-07.02	■	
2.0 TD (CD20T)	vehicles with ABS	Diesel	FWD	1974	66	90	09.96-07.02	■	
<b>PRIMERA II (P11) 06.96-07.02</b>							<b>Saloon (Large family car-D Segment)</b>		
1.6 16V (GA16DE)	vehicles with ABS	Gasolina	FWD	1597	66	90	09.96-12.01	■	
1.6 16V (GA16DE)	vehicles with ABS	Gasolina	FWD	1597	73	99	09.96-10.00	■	
1.6 16V (QG16DE)	vehicles with ABS	Gasolina	FWD	1597	78	106	06.96-12.01	■	
1.8 16V (QG18DE)	vehicles with ABS	Gasolina	FWD	1769	84	114	08.99-12.01	■	
1.8		Gasolina	FWD	1769	96	131	06.96-05.99	■	
2.0 16V (SR20DE)		Gasolina	FWD	1998	103	140	08.99-12.01	■	
2.0 16V (SR20DE)		Gasolina	FWD	1998	105	143	06.96-12.01	■	
2.0 16V (SR20DE)		Gasolina	FWD	1998	110	150	09.96-12.01	■	
1.8 LPG		Gasol./Gas (LPG)	FWD	1769	84	114	08.99-12.01	■	
2.0 TD (CD20T)	vehicles with ABS	Diesel	FWD	1974	66	90	09.96-12.01	■	
<b>PRIMERA II Traveller (WP11) 06.96-01.02</b>							<b>Estate (Large family car-D Segment)</b>		
1.6 16V (GA16DE)		Gasolina	FWD	1597	66	90	04.98-12.01	■	
1.6 16V (GA16DE)		Gasolina	FWD	1597	73	99	04.98-12.01	■	
1.6 16V		Gasolina	FWD	1597	80	109	04.98-12.01	■	
1.8 16V (QG18DE)		Gasolina	FWD	1769	84	114	08.99-12.01	■	
1.8 16V		Gasolina	FWD	1769	96	131	06.96-05.99	■	
2.0 16V (SR20DE)		Gasolina	FWD	1998	85	115	06.96-12.01	■	
2.0 16V (SR20DE)		Gasolina	FWD	1998	96	131	04.98-12.01	■	
2.0 16V (SR20DE)		Gasolina	FWD	1998	103	140	08.99-12.01	■	
2.0 16V		Gasolina	FWD	1998	140	190	06.96-05.99	■	
1.8 16V LPG		Gasol./Gas (LPG)	FWD	1769	84	114	08.99-12.01	■	
2.0 TD (CD20T)		Diesel	FWD	1974	66	90	04.98-12.01	■	