

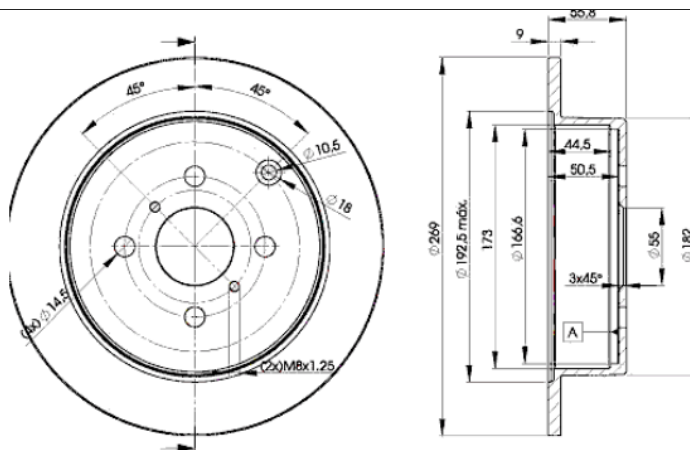
LISTA DE APLICACIONES - BUYERS GUIDE

78BD1221-2



Weight: 7.520

O.E.M.	MAKE
42431-0D050	TOYOTA
42431-12210	TOYOTA
42431-12250	TOYOTA
42431-52050	TOYOTA



78BD1221-2

(E1) 90R-02C0453/0098



Ø269x9x56

MAKE
BYD
ENGLON (GEELY)
GEELY
LIFAN
TOYOTA



Trac.	CC	Kw	CV
-------	----	----	----



Front / Rear

BYD

								Saloon ()	
F3 03.05-									
1.5		Gasolina	FWD	1488	78	106	09.07-12.12	■	
1.5 (4G15S)		Gasolina	FWD	1488	79	107	09.08-12.12	■	
1.5 (BYD473QB)		Gasolina	FWD	1488	79	107	09.08-12.12	■	
1.5		Gasolina	FWD	1497	80	109	01.11-	■	
1.5 Ti (BYD476ZQA)		Gasolina	FWD	1497	113	154	03.14-12.15	■	
1.6 (DA4G18)		Gasolina	FWD	1584	74	99	09.05-07.12	■	
1.8		Gasolina	FWD	1839	90	122	05.07-12.08	■	
DM Hybrid 1.0 (BYD371QA)		Gasol./el éc.	FWD	998	50	68	01.09-	■	
F3R 04.07-								Hatchback ()	
1.5 (4G15S)		Gasolina	FWD	1488	78	106	04.07-08.09	■	
1.5		Gasolina	FWD	1488	79	107	08.10-	■	
1.6 (DA4G18)		Gasolina	FWD	1584	74	99	09.07-	■	
G3 10.09-								Saloon ()	
1.5		Gasolina	FWD	1488	78	106	10.09-10.10	■	
1.5 (473QB)		Gasolina	FWD	1488	79	107	10.10-12.12	■	
1.5		Gasolina	FWD	1497	80	109	09.11-12.16	■	
1.8 (BYD483QA)		Gasolina	FWD	1839	90	122	10.09-12.16	■	
G3R 04.11-								Hatchback ()	
1.5		Gasolina	FWD	1497	80	109	04.11-12.14	■	
1.8		Gasolina	FWD	1839	90	122	04.11-12.14	■	

LISTA DE APLICACIONES - BUYERS GUIDE

L3 08.10-									Saloon ()
1.5		Gasolina	FWD	1488	79	107	12.10-12.12	■	
1.5		Gasolina	FWD	1497	80	109	10.10-12.16	■	
1.8		Gasolina	FWD	1839	90	122	08.10-12.15	■	
YUAN 04.16-									SUV ()
1.5		Gasolina	FWD	1497	80	109	04.16-12.20	■	
1.5 Ti		Gasolina	FWD	1497	113	154	04.16-12.20	■	
DM Hybrid A las 4 ruedas		Gasol./el éc.	4WD	1497	80	109	04.16-12.18	■	
ENGLON (GEELY)									
SC7 11.10-									Saloon ()
1.5 (JLY-4G15)		Gasolina	FWD	1498	80	109	11.10-12.17	■	
GEELY									
VISION / FC 12.05-									Saloon ()
1.5 (JL4G15D)		Gasolina	FWD	1498	78	106	05.09-	■	
1.5 (JL4G15D)		Gasolina	FWD	1498	102	139	05.09-12.13	■	
1.8 (JL4G18)		Gasolina	FWD	1792	102	139	08.06-12.12	■	
LIFAN									
620 06.08-									Saloon (Compact car-C Segment)
1.6 (LF481Q3)		Gasolina	FWD	1587	78	106	06.08-12.16	■	
1.6		Gasolina	FWD	1596	85	116	11.08-12.10	■	
TOYOTA									
COROLLA IX (_E12_) 03.01-12.08									Estate (Compact executive car-D Segment)
1.4 VVT-i (ZZE120_, ZZE120R) (4ZZ-FE)		Gasolina	FWD	1398	71	97	01.02-02.07	■	
1.6 VVT-i (ZZE121_, ZZE121R) (3ZZ-FE)		Gasolina	FWD	1598	81	110	01.02-08.07	■	
1.8 (ZZE122) (1ZZ-FE)		Gasolina	FWD	1794	100	136	12.01-12.07	■	
1.8 A las 4 ruedas		Gasolina	FWD	1794	100	136	12.01-02.07	■	
1.4 D4-D (NDE120_, NDE120R) (1ND-TV)		Diesel	FWD	1364	66	90	06.04-10.07	■	
2.0 D-4D (CDE120_, CDE120R) (1CD-FTV)		Diesel	FWD	1995	66	90	01.02-02.07	■	
COROLLA IX (_E12_) 07.01-05.07									MPV (Compact MPV-M1 Segment)
1.4 VVT-i		Gasolina	FWD	1398	71	97	01.02-05.04	■	
1.6 VVT-i (ZZE121_, ZZE121R) (3ZZ-FE)		Gasolina	FWD	1598	81	110	08.01-05.04	■	
1.8 VVTi		Gasolina	FWD	1794	99	135	07.01-02.04	■	
1.8 VVT-i (ZZE122_, ZZE122R) (1ZZ-FE)		Gasolina	FWD	1794	99	135	12.01-05.04	■	
2.0 D-4D (CDE120_, CDE120R) (1CD-FTV)		Diesel	FWD	1995	66	90	01.02-05.04	■	
COROLLA IX / ALTIS / AXIO-ALTIS (_E12_) 08.00-12.08									Saloon (Compact executive car-D Segment)
1.5 (NZE121, NZE120, ZZE123, ZZA120) (1NZ-FE)		Gasolina	FWD	1497	78	106	10.01-10.07	■	
1.8 (ZZE122) (1ZZ-FE)		Gasolina	FWD	1794	92	125	05.02-05.04	■	
1.8 (ZZE130)		Gasolina	FWD	1794	97	132	09.02-12.05	■	
1.8 (ZZE122) (1ZZ-FE)		Gasolina	FWD	1794	100	136	11.01-10.06	■	
COROLLA IX / RUNX (_E12_) 01.01-04.08									Hatchback (Compact executive car-D Segment)
1.8 VVTi (ZZE122_, ZZE122R) (1ZZ-FE)		Gasolina	FWD	1794	100	136	01.01-12.07	■	
IST / XA (NCP6_) 04.02-07.07									Hatchback (Supermini car-B Segment)
1.5 VVTi (NCP61_, NCP61) (1NZ-FE)		Gasolina	FWD	1497	80	109	05.04-07.07	■	
MATRIX / VOLTZ (_E13_) 01.02-12.07									Hatchback (Large MPV-M1 Segment)
1.8 4WD (ZZE138) (1ZZ-FE)		Gasolina	4WD	1794	91	124	01.02-02.04	■	

LISTA DE APLICACIONES - BUYERS GUIDE

1.8 VVTi (ZZE136) (1ZZ-FE)		Gasolina	FWD	1794	96	131	01.02-02.04	■	
1.8 VVTi (ZZE132, ZZE134) (1ZZ-FE)		Gasolina	FWD	1794	97	132	09.02-12.05	■	
PRIUS (_W1_) 12.97-08.00					Saloon (Compact car-C Segment)				
1.5 Hybrid (NHW10) (1NZ-FXE)		Gasol./el éc.	FWD	1497	43	58	12.97-08.00	■	
1.5 Hybrid (NHW1_) (1NZ-FXE)	-09/02, vehicles with ABS	Gasol./el éc.	FWD	1497	53	72	05.00-01.04	■	
1.5 Hybrid (NHW11)		Gasol./el éc.	FWD	1497	85	116	09.00-12.03	■	
YARIS II / VITZ (_P9_) 01.05-					Hatchback (Supermini car-B Segment)				
1.3 VVT-i (SCP90_, SCP90R) (2SZ-FE)		Gasolina	FWD	1298	64	87	08.05-11.10	■	
YARIS VERSO / ECHO VERSO / FUN CARGO (_P2_) 03.00-09.05					Hatchback Van (Mini MPV-M1 Segment)				
1.3 VVTi (NCP22_) (2NZ-FE)		Gasolina	FWD	1299	62	84	04.03-09.05	■	
1.3 VVTi (NCP22_) (2NZ-FE)		Gasolina	FWD	1299	63	86	03.00-09.05	■	
1.5 VVTi (NCP21_) (1NZ-FE)		Gasolina	FWD	1497	78	106	03.00-03.03	■	
1.4 D4d (NLP22_) (1ND-TV)		Diesel	FWD	1364	55	75	10.01-09.05	■	
YARIS VERSO / ECHO VERSO / FUN CARGO (_P2_) 08.99-09.05					MPV (Mini MPV-M1 Segment)				
1.3 (NCP20_, NCP22_, NCP20R, NCP22R) (2NZ-FE)		Gasolina	FWD	1299	62	84	11.02-09.05	■	
1.3 (NCP20_, NCP22_, NCP20R, NCP22R) (2NZ-FE)		Gasolina	FWD	1299	63	86	08.99-10.02	■	
1.5 (NCP21_) (1NZ-FE)		Gasolina	FWD	1497	77	105	03.00-09.05	■	
1.5 (NCP21_) (1NZ-FE)		Gasolina	FWD	1497	78	106	03.00-09.05	■	
1.5 4WD (NCP25) (1NZ-FE)		Gasolina	4WD	1497	78	106	03.00-09.05	■	
1.5 (NCP21)		Gasolina	FWD	1497	80	109	08.02-09.05	■	
1.5 (NCP21)		Gasolina	FWD	1497	81	110	01.00-07.02	■	
1.4 D-4D (NLP20_, NLP22_) (1ND-TV)		Diesel	FWD	1364	55	75	09.00-09.05	■	
YARIS / ECHO / VITZ (_P1_) 01.99-12.05					Hatchback (Supermini car-B Segment)				
1.0 (SCP10_, SCP10R) (1SZ-FE)		Gasolina	FWD	998	48	65	03.03-09.05	■	
1.0 (SCP10_, SCP10R) (1SZ-FE)		Gasolina	FWD	998	50	68	04.99-09.05	■	
1.3 (SCP12_, SCP13_, SCP12R, SCP13R) (2SZ-FE)		Gasolina	FWD	1298	64	87	04.02-09.05	■	
1.3		Gasolina	FWD	1299	57	76	09.03-12.04	■	
1.3 (NCP10, SCP12_) (2NZ-FE)		Gasolina	FWD	1299	63	86	08.99-11.05	■	
1.5 (NCP13_, NCP13R) (1NZ-FE)		Gasolina	FWD	1497	77	105	01.03-11.05	■	
1.5 (NCP13_, NCP13R) (1NZ-FE)		Gasolina	FWD	1497	78	106	04.01-09.05	■	
1.4 D-4D (NLP10_, NLP10R) (1ND-TV)		Diesel	FWD	1364	55	75	10.01-09.05	■	