

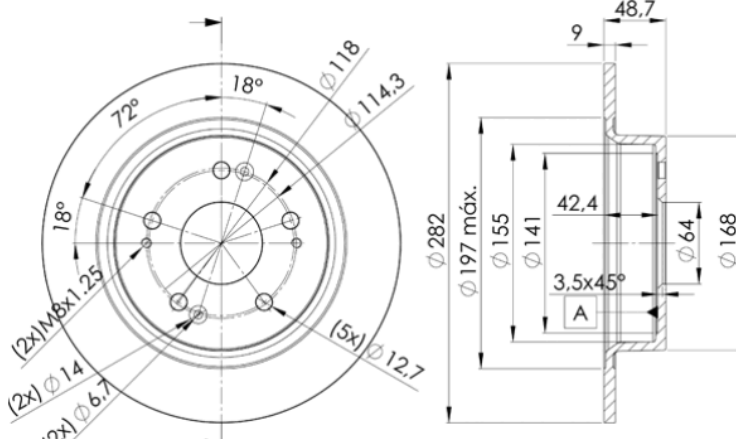
LISTA DE APLICACIONES - BUYERS GUIDE

78BD1258-2



Weight: 8.504

| O.E.M. | MAKE |
|---------------|-------|
| 42510-SFY-000 | HONDA |
| 42510-TA0-A00 | HONDA |



78BD1258-2



Ø282x9x49

MAKE

ACURA
HONDA



| Trac. | CC | Kw | CV |
|-------|----|----|----|
|-------|----|----|----|



Front / Rear

ACURA

| Model | Trac. | CC | Kw | CV | Date | Front / Rear |
|---|----------|-----|------|-----|------------|--------------|
| Estate (Compact executive car-D Segment) | | | | | | |
| TSX II (CW_) 01.09- | | | | | | |
| 2.4 | Gasolina | FWD | 2354 | 150 | 204 09.10- | ■ |
| Saloon (Compact executive car-D Segment) | | | | | | |
| TSX II (CU_) 01.09- | | | | | | |
| 2.4 (K24Z3) | Gasolina | FWD | 2354 | 150 | 204 09.10- | ■ |
| 3.5 | Gasolina | FWD | 3471 | 209 | 284 01.12- | ■ |

HONDA

| Model | Trac. | CC | Kw | CV | Date | Front / Rear |
|---|---------------|-----|------|-----|------------|--------------|
| SUV () | | | | | | |
| (RV) 04.21- | | | | | | |
| 1.5 iVtec (RV3) | Gasolina | FWD | 1498 | 89 | 121 06.21- | ■ |
| Coupe (Executive car-E Segment) | | | | | | |
| ACCORD IX 09.12- | | | | | | |
| 2.4 (K24W2) | Gasolina | FWD | 2356 | 127 | 173 05.13- | ■ |
| 2.4 (K24W2) | Gasolina | FWD | 2356 | 136 | 185 09.12- | ■ |
| 3.5 (J35Y3) | Gasolina | FWD | 3471 | 203 | 276 05.13- | ■ |
| 3.5 (J35Y1) | Gasolina | FWD | 3471 | 207 | 282 09.12- | ■ |
| Saloon (Executive car-E Segment) | | | | | | |
| ACCORD IX (CR) 09.12- | | | | | | |
| 2.4 | Gasolina | FWD | 2356 | 127 | 173 05.13- | ■ |
| 2.4 (CR2) (K24W) | Gasolina | FWD | 2356 | 129 | 175 11.13- | ■ |
| 2.4 (CR2) (K24W2) | Gasolina | FWD | 2356 | 132 | 180 07.14- | ■ |
| 2.4 (CR2) (K24W3) | Gasolina | FWD | 2356 | 132 | 180 07.14- | ■ |
| 2.4 | Gasolina | FWD | 2356 | 139 | 189 04.17- | ■ |
| 3.5 | Gasolina | FWD | 3471 | 203 | 276 05.13- | ■ |
| 3.5 (J35Y1) | Gasolina | FWD | 3471 | 207 | 282 09.12- | ■ |
| 2.0 E85 (CR1) (R20Z2) | Gasol./Etanol | FWD | 1997 | 114 | 155 06.13- | ■ |

LISTA DE APLICACIONES - BUYERS GUIDE

| | | | | | | | | |
|--|---------------------|---------------|-----|------|--|-----|-------------|---|
| 2.0 E85 (CR1) (R20Z3) | | Gasol./Etanol | FWD | 1997 | 114 | 155 | 06.13- | ■ |
| 2.4 E85 (CR2) | | Gasol./Etanol | FWD | 2356 | 128 | 174 | 06.13- | ■ |
| ACCORD VIII (CW) 07.08- | | | | | Estate (Compact executive car-D Segment) | | | |
| 2.0 i | Manual Transmission | Gasolina | FWD | 1997 | 110 | 150 | 07.08- | ■ |
| 2.0 i (CW1) (R20A3) | Manual Transmission | Gasolina | FWD | 1997 | 115 | 156 | 07.08-06.15 | ■ |
| 2.4 i (CW2) (K24Z3) | | Gasolina | FWD | 2356 | 148 | 201 | 07.08-06.15 | ■ |
| 2.2 i-DTEC (CW3) (N22B1) | | Diesel | FWD | 2199 | 110 | 150 | 07.08-06.15 | ■ |
| 2.2 i-DTEC (CW3) (N22B2) | | Diesel | FWD | 2199 | 132 | 180 | 07.08-06.15 | ■ |
| ACCORD VIII (TF) 01.09- | | | | | Hatchback (Compact executive car-D Segment) | | | |
| 3.5 i A las 4 ruedas (TF2) (J35Z2) | | Gasolina | 4WD | 3471 | 199 | 271 | 09.09-12.12 | ■ |
| ACCORD VIII (CP) 09.07- | | | | | Saloon (Executive car-E Segment) | | | |
| 2.0 i-VTEC (CP1) (R20A3) | Manual Transmission | Gasolina | FWD | 1997 | 114 | 155 | 07.08-09.12 | ■ |
| 2.4 (CP2) (K24Z2) | | Gasolina | FWD | 2354 | 132 | 180 | 09.07-12.12 | ■ |
| 3.5 V 6 (CP3) (J35Z2) | | Gasolina | FWD | 3471 | 202 | 275 | 09.07-09.12 | ■ |
| ACCORD VIII / ACCORD EURO (CU) 04.08- | | | | | Saloon (Executive car-E Segment) | | | |
| 2.0 i | Manual Transmission | Gasolina | FWD | 1997 | 110 | 150 | 07.08- | ■ |
| 2.0 i (CU1) (R20A3) | Manual Transmission | Gasolina | FWD | 1997 | 115 | 156 | 06.08-06.15 | ■ |
| 2.4 i (CU2) (K24Z3) | | Gasolina | FWD | 2356 | 148 | 201 | 07.08-06.15 | ■ |
| 3.5 i (J35A8) | | Gasolina | FWD | 3471 | 202 | 275 | 07.08-09.12 | ■ |
| 3.5 i (J35Z2) | | Gasolina | FWD | 3471 | 202 | 275 | 07.08-09.12 | ■ |
| 2.2 i-DTEC (CU3) (N22B1) | | Diesel | FWD | 2199 | 110 | 150 | 07.08-06.15 | ■ |
| 2.2 i-DTEC (CU3) (N22B2) | | Diesel | FWD | 2199 | 132 | 180 | 07.08-06.15 | ■ |