

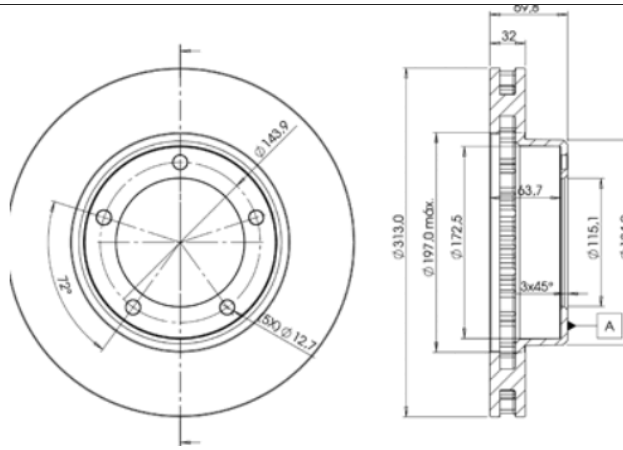
LISTA DE APLICACIONES - BUYERS GUIDE

**78BD1265-2**



Weight: 17.636

O.E.M.	MAKE
43512-60130	TOYOTA
43512-60170	TOYOTA



**78BD1265-2**

**E1 90R-02C0452/0085**



Ø313x32x70

MAKE
LEXUS
TOYOTA



Trac.	CC	Kw	CV
-------	----	----	----



Front / Rear

**LEXUS**

							<b>SUV (Luxury Crossover SUV-J Segment)</b>		
<b>LX II (UZJ100) 09.97-12.08</b>									
470 (UZJ100) (2UZ-FE)		Gasolina	4WD	4664	170	231	05.98-03.08	■	
470 (UZJ100) (2UZ-FE)		Gasolina	4WD	4664	173	235	05.98-03.08	■	
470 (UZJ100) (2UZ-FE)		Gasolina	4WD	4664	202	275	08.02-03.08	■	

**TOYOTA**

							<b>Closed Off-Road Vehicle (Confort SUV-J Segment)</b>		
<b>LAND CRUISER 100 (_J1_) 01.98-07.08</b>									
4.7 4WD (UZJ100_, UZJ100R)		Gasolina	4WD	4664	170	233	01.98-08.07	■	
4.7 (UZJ100_, UZJ100R) (2UZ-FE)		Gasolina	4WD	4664	173	235	01.98-08.07	■	
4.7 (UZJ100) (2UZ-FE)		Gasolina	4WD	4664	175	238	02.02-08.07	■	
4.2 TD (HDJ100_, HDJ100) (1HD-FTE)		Diesel	4WD	4164	150	204	01.98-08.07	■	
4.2 TDi 24V		Diesel	RWD	4164	150	204	01.98-07.08	■	
4.2 TDi (HDJ101_, HDJ101K)		Diesel	4WD	4164	153	208	01.98-08.07	■	