

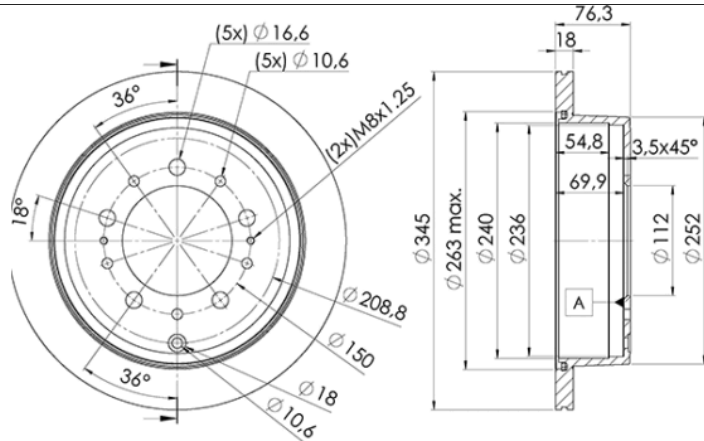
LISTA DE APLICACIONES - BUYERS GUIDE

78BD1269-2



Weight: 15.750

O.E.M.	MAKE
424310C010	TOYOTA
424310C011	TOYOTA
42431-60290	TOYOTA



78BD1269-2



Ø345x18x77

MAKE
HYUNDAI
LEXUS
TOYOTA
TOYOTA (FAW)



Trac.	CC	Kw	CV
-------	----	----	----



Front / Rear

HYUNDAI

XG (U.S.A.) 09.00-12.05

Saloon (Executive car-E Segment)

250 (G6BV)	Gasolina	FWD	2493	123	167	10.03-09.05	■
------------	----------	-----	------	-----	-----	-------------	---

LEXUS

LX III (_J2_) 08.07-

SUV (Luxury Crossover SUV-J Segment)

570 (URJ201) (3UR-FE)	Gasolina	4WD	5663	266	362	01.15-	■
570 (URJ201) (3UR-FE)	Gasolina	4WD	5663	270	367	11.07-	■
570 (URJ201) (3UR-FE)	Gasolina	4WD	5663	282	384	11.07-	■
570 (URJ201) (3UR-FE)	Gasolina	4WD	5663	285	387	08.07-	■
450d (VDJ201) (1VD-FTV)	Diesel	4WD	4461	200	272	09.15-	■

TOYOTA

LAND CRUISER (_J7_, _JL7_) 11.84-

Platform/Chassis (Off-Road SUV-J Segment)

4.0 4x4 (GRJ79) (1GR-FE)	Gasolina	4WD	3956	170	231	03.07-	■
--------------------------	----------	-----	------	-----	-----	--------	---

LAND CRUISER 200 (_J2_) 08.07-

Closed Off-Road Vehicle (Confort SUV-J Segment)

4.0 (GRJ200_, GRJ200R) (1GR-FE)	Gasolina	4WD	3956	176	239	01.10-	■
4.0 (GRJ200) (1GR-FE)	Gasolina	4WD	3956	199	271	01.12-	■
4.6 V8 (URJ202_) (1UR-FE)	Gasolina	4WD	4608	224	305	01.12-	■
4.6 V8 (URJ202) (1UR-FE)	Gasolina	4WD	4608	227	309	09.10-	■
4.6 V8 (URJ202W) (1UR-FE)	Gasolina	4WD	4608	234	318	01.12-	■
4.7 V8 (UZJ200) (2UZ-FE)	Gasolina	4WD	4664	199	271	04.11-	■
4.7 V8 (UZJ200) (2UZ-FE)	Gasolina	4WD	4664	202	275	08.07-	■
4.7 V8 (UZJ200) (2UZ-FE)	Gasolina	4WD	4664	212	288	01.08-	■
4.7 V8 (UZJ200) (2UZ-FE)	Gasolina	4WD	4664	232	315	01.08-	■

LISTA DE APLICACIONES - BUYERS GUIDE

5.7 V8 (URJ200_) (3UR-FE)		Gasolina	4WD	5663	266	362	08.15-	■	
5.7 V8 (URJ200_) (3UR-FE)		Gasolina	4WD	5663	270	367	09.11-07.15	■	
5.7 V8 (URJ200)		Gasolina	4WD	5663	280	381	08.08-	■	
5.7 V8 (URJ200_, URJ200R) (3UR-FE)		Gasolina	4WD	5663	284	386	08.07-	■	
5.7 V8 VVTi		Gasolina	FWD	5695	280	381	08.07-	■	
4.0 D VVTi		Diesel	RWD	3995	176	240	08.07-	■	
4.5 D4-D (VDJ200) (1VD-FTV)		Diesel	4WD	4461	160	218	01.12-	■	
4.5 D4-D (VDJ200) (1VD-FTV)		Diesel	4WD	4461	171	232	01.13-	■	
4.5 D4-D (VDJ200) (1VD-FTV)		Diesel	4WD	4461	173	235	08.07-	■	
4.5 D4-D (VDJ200_) (1VD-FTV)		Diesel	4WD	4461	183	249	08.15-	■	
4.5 D4-D (VDJ200) (1VD-FTV)		Diesel	4WD	4461	195	265	09.07-	■	
4.5 D4-D (VDJ200) (1VD-FTV)		Diesel	4WD	4461	200	272	01.12-	■	
4.5 D V8 (VDJ200) (1VD-FTV)		Diesel	4WD	4461	210	286	01.08-	■	
SEQUOIA (_K3_, _K4_) 05.00-10.07					SUV (Luxury Crossover SUV-J Segment)				
4.7 (UCK35_, UCK35L) (2UZ-FE)		Gasolina	RWD	4664	175	238	09.00-10.07	■	
4.7 4WD (UCK45_, UCK45L) (2UZ-FE)		Gasolina	4WD	4664	175	238	09.00-10.07	■	
4.7 4WD (UCK45_, UCK45L) (2UZ-FE)		Gasolina	4WD	4664	204	277	09.00-10.07	■	
SEQUOIA II (_K6_) 11.07-					SUV (Luxury Crossover SUV-J Segment)				
4.7 (UCK60, UCK65) (2UZ-FE)		Gasolina	RWD	4664	206	280	11.07-04.14	■	
4.7 4WD (UCK65, UCK60) (2UZ-FE)		Gasolina	4WD	4664	206	280	11.07-04.14	■	
5.7 (USK60_) (3UR-FE)		Gasolina	RWD	5663	280	381	11.07-	■	
5.7 4WD (USK65_) (3UR-FE)		Gasolina	4WD	5663	280	381	11.07-	■	
5.7 4WD (USK65_) (3UR-FE)		Gasolina	4WD	5663	284	386	11.07-	■	
5.7 FLEX 4WD (USK65) (3UR-FBE)		Gasol./Etanol	4WD	5663	280	381	11.07-	■	
5.7 FLEX (USK60_)		Gasol./Etanol	RWD	5663	284	386	09.08-	■	
TUNDRA II (_K5_, _K6_) 11.06-					Pickup (Pick-Up Truck)				
4.0 (GSK50_) (1GR-FE)		Gasolina	RWD	3956	176	239	11.06-	■	
4.6 (UPK51) (1UR-FE)		Gasolina	RWD	4608	228	310	11.06-09.13	■	
4.7 (UCK50_, UCK51_, UCK52_, UCK55_, UCK56_, UCK57_) (2UZ-FE)		Gasolina	RWD	4664	206	280	11.06-03.09	■	
4.7 4WD (UCK50_, UCK51_, UCK52_, UCK55_, UCK56_, UCK57_) (2UZ-FE)		Gasolina	4WD	4664	206	280	11.06-12.09	■	
5.7 (USK50_, USK51, USK52_, USK56_, USK57_, USK52L,...) (3UR-FE)		Gasolina	RWD	5663	284	386	11.06-	■	
5.7 4WD (USK56_, USK57_, USK55_, USK75_, USK55L, USK57L,...) (3UR-FE)		Gasolina	4WD	5663	284	386	11.06-	■	
5.7 Flexfuel (USK51, USK52, USK55) (3UR-FBE)		Gasol./Etanol	RWD	5663	280	381	11.06-12.20	■	
5.7 Flexfuel (USK51, USK52, USK55) (3UR-FE)		Gasol./Etanol	RWD	5663	280	381	11.06-12.20	■	
5.7 Flexfuel 4WD (USK55_, USK56_, USK57_, USK55L, USK56L,...) (3UR-FBE)		Gasol./Etanol	4WD	5663	280	381	04.09-07.13	■	
5.7 Flexfuel (USK51, USK52, USK55)		Gasol./Etanol	RWD	5663	284	386	09.13-12.20	■	
5.7 Flexfuel 4WD (USK55_, USK56_, USK57_, USK55L, USK56L,...) (3UR-FBE)		Gasol./Etanol	4WD	5663	284	386	08.08-	■	
TOYOTA (FAW)									
LAND CRUISER 200 (_J20_) 12.07-12.17					Closed Off-Road Vehicle (Off-Road SUV-J Segment)				
4.0 A las 4 ruedas (GRJ200) (1GR-FE)		Gasolina	4WD	3956	179	243	12.07-12.12	■	
4.7 (UZJ200) (2UZ)		Gasolina	4WD	4664	202	275	12.07-12.12	■	