

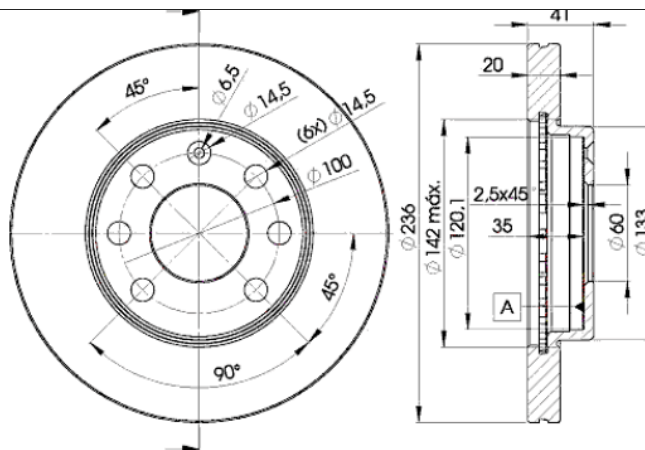
# LISTA DE APLICACIONES - BUYERS GUIDE

## 78BD1440-2



8 424073 143150

Weight: 7.880



## 78BD1440-2



Ø236x20x41

### MAKE

- BEDFORD
- CHEVROLET
- DAEWOO
- FSO
- OPEL
- VAUXHALL
- ZAZ

O.E.M.	MAKE
5 69 014	OPEL
5 69 031	OPEL
5 69 054	OPEL
90 008 006	VAUXHALL
90 05 088	OPEL
90 05 107	OPEL
90 051 07	VAUXHALL
90 511 111	VAUXHALL
9012 1445	DAEWOO
9647 1274	DAEWOO
9657 4633	CHEVROLET



Trac.	CC	Kw	CV
-------	----	----	----



Front / Rear

### BEDFORD

						Estate Van (Compact car-C Segment)		
<b>ASTRA VAN 07.82-08.84</b>								
1.6 D (16 D)		Diesel	FWD	1598	40	54	07.82-08.84	■
						Box Body/MPV (Compact car-C Segment)		
<b>ASTRAMAX 09.85-06.90</b>								
1.6		Gasolina	FWD	1598	61	83	12.86-06.90	■

### CHEVROLET

						Hatchback (Supermini car-B Segment)		
<b>AVEO / KALOS (T200) 02.03-12.08</b>								
1.2 (LY4)		Gasolina	FWD	1150	53	72	01.04-05.08	■
1.2 (LY4)		Gasolina	FWD	1150	53	72	06.06-	■
1.2 (B12S1)		Gasolina	FWD	1150	56	76	01.07-09.12	■
1.2 (LY4)		Gasolina	FWD	1150	56	76	01.07-09.12	■
1.2 (LMU)		Gasolina	FWD	1206	55	75	04.08-	■
1.2 (LMU)		Gasolina	FWD	1206	62	84	04.08-	■
1.4 (LX5(85CUL4))		Gasolina	FWD	1399	61	83	03.05-05.08	■
1.4 16V (L14(85CUL4))	11/06-	Gasolina	FWD	1399	69	94	05.03-05.08	■
1.4 16V (L14(85CUL4))		Gasolina	FWD	1399	69	94	06.06-05.08	■
1.4 (LDT)		Gasolina	FWD	1399	74	101	04.08-	■
1.5 (LV8(91CUL4))		Gasolina	FWD	1498	62	84	01.05-05.08	■
1.2 LPG (LY4)		Gasol./Gas (LPG)	FWD	1150	53	72	01.05-05.08	■
1.2 LPG (LMU)		Gasol./Gas (LPG)	FWD	1206	60	81	06.08-11.12	■
1.2 LPG (LMU)		Gasol./Gas (LPG)	FWD	1206	62	84	04.08-12.11	■

# LISTA DE APLICACIONES - BUYERS GUIDE

<b>AVEO / KALOS (T200) 01.03-12.08</b>					<b>Saloon (Supermini car-B Segment)</b>			
1.2 (LY4)		Gasolina	FWD	1150	53	72	03.05-12.07	■
1.2		Gasolina	FWD	1150	56	76	01.08-	■
1.2 (LMU)		Gasolina	FWD	1206	55	75	01.08-	■
1.2 (LMU)		Gasolina	FWD	1206	62	84	01.08-	■
1.4 (LX5(85CUL4))		Gasolina	FWD	1399	61	83	03.05-	■
1.4 (L14(85CUL4))		Gasolina	FWD	1399	69	94	05.03-05.08	■
1.4 (L14(85CUL4))		Gasolina	FWD	1399	69	94	03.05-05.13	■
1.4 (LDT)		Gasolina	FWD	1399	74	101	09.08-	■
1.5 (F15S3)		Gasolina	FWD	1498	62	84	05.05-	■
1.5 (LX6)		Gasolina	FWD	1498	62	84	05.05-	■
1.5 (LV8(91CUL4))		Gasolina	FWD	1498	63	86	10.04-05.06	■
1.6		Gasolina	FWD	1598	75	102	01.08-	■
1.6		Gasolina	FWD	1598	76	103	05.05-	■
1.6 (LXV)		Gasolina	FWD	1598	77	105	01.08-12.12	■
1.2 LPG (LMU)		Gasol./Gas (LPG)	FWD	1206	62	84	01.09-	■
1.4 CNG		Gasol./Gas (CNG)	FWD	1399	69	94	01.08-	■
<b>CORSA 01.96-12.10</b>					<b>Estate (Supermini car-B Segment)</b>			
1.6 GLS (35) (C 16 NE)		Gasolina	FWD	1598	68	92	08.97-07.02	■
1.6 GLS (35) (L01(98CUL4))		Gasolina	FWD	1598	68	92	08.97-07.02	■
1.7 D (2H7)		Diesel	FWD	1686	44	60	08.00-07.02	■
<b>KALOS 03.05-</b>					<b>Saloon (Supermini car-B Segment)</b>			
1.4 16V		Gasolina	FWD	1399	69	94	03.05-	■
<b>LANOS 11.05-</b>					<b>Saloon (Supermini car-B Segment)</b>			
1.4 (L13(82CUL4))		Gasolina	FWD	1349	55	75	11.05-12.10	■
1.5 (LX6)		Gasolina	FWD	1498	63	86	11.05-12.10	■
1.5 (LX6)		Gasolina	FWD	1498	64	87	11.05-12.18	■
<b>SPARK (M150) 09.00-12.06</b>					<b>Hatchback (City car-A Segment)</b>			
0.8 (F8CV)		Gasolina	FWD	796	38	52	09.00-12.06	■
1.0		Gasolina	FWD	993	47	64	11.02-12.04	■
<b>SPARK II (M200,M250) 05.05-</b>					<b>Hatchback (City car-A Segment)</b>			
1.0 SX (B10S)		Gasolina	FWD	995	46	63	05.05-	■
1.0 SX (LA2)		Gasolina	FWD	995	46	63	05.05-	■
1.0 SX (LQ4(61CUL4))		Gasolina	FWD	995	49	67	05.05-	■
<b>SPARK III / BEAT / MATIZ (M300) 03.10-</b>					<b>Hatchback Van (City car-A Segment)</b>			
1.2 (LMU)		Gasolina	FWD	1206	60	82	03.10-	■
<b>SPARK III / BEAT / MATIZ (M300) 12.09-</b>					<b>Hatchback (City car-A Segment)</b>			
1.0		Gasolina	FWD	995	48	65	07.10-	■
1.0 (LMT)		Gasolina	FWD	995	50	68	03.10-	■
1.2		Gasolina	FWD	1199	59	80	12.09-09.12	■
1.2 (LMU)		Gasolina	FWD	1206	60	82	03.10-	■
1.2 (LLO)		Gasolina	FWD	1249	64	87	01.12-	■
1.0 LPG (LMT)		Gasol./Gas (LPG)	FWD	995	48	65	07.10-	■
1.0 LPG (LMT)		Gasol./Gas (LPG)	FWD	995	50	68	03.10-	■
1.2 LPG (LMU)		Gasol./Gas (LPG)	FWD	1206	60	82	03.10-	■

# LISTA DE APLICACIONES - BUYERS GUIDE

EV		Eléctrico	FWD		105	143	09.13-12.16	■	
<b>SPARK IV (M400) 11.15-</b>					<b>Hatchback (City car-A Segment)</b>				
1.0 (B 10 XE)		Gasolina	FWD	999	54	73	11.15-	■	
1.0		Gasolina	FWD	999	55	75	11.15-	■	
1.4 (LV7)		Gasolina	FWD	1399	72	98	11.15-	■	
1.4 (LV7)		Gasolina	FWD	1399	73	99	11.15-	■	
<b>DAEWOO</b>									
<b>CIELO 06.94-12.07</b>					<b>Saloon (Supermini car-B Segment)</b>				
1.5 (Y15L)		Gasolina	FWD	1498	55	75	04.95-12.02	■	
<b>KALOS (KLAS) 11.02-12.04</b>					<b>Saloon (Supermini car-B Segment)</b>				
1.4 (F14D3)		Gasolina	FWD	1399	69	94	05.03-12.04	■	
<b>LANOS (KLAT) 02.97-</b>					<b>Saloon (Supermini car-B Segment)</b>				
1.3 (L13(82CUL4))		Gasolina	FWD	1349	55	75	05.97-	■	
1.5 (LX6(91CUL4))		Gasolina	FWD	1498	63	86	05.97-	■	
1.5		Gasolina	FWD	1498	71	97	10.97-04.01	■	
1.5 (L43(91CUL4))		Gasolina	FWD	1498	73	99	10.97-06.99	■	
<b>LANOS / SENS (KLAT) 04.97-</b>					<b>Hatchback (Supermini car-B Segment)</b>				
1.3 (L13(82CUL4))		Gasolina	FWD	1349	55	75	05.97-	■	
1.5 (LX6(91CUL4))		Gasolina	FWD	1498	63	86	05.97-	■	
1.5 (L43(91CUL4))		Gasolina	FWD	1498	73	99	10.97-06.99	■	
<b>NEXIA / CIELO 02.95-08.97</b>					<b>Hatchback (Supermini car-B Segment)</b>				
1.5 (08, 68) (G15MF)	Rim 13	Gasolina	FWD	1498	44	60	08.96-08.97	■	
1.5 (08, 68) (G15MF)	Rim 13	Gasolina	FWD	1498	52	71	02.95-08.97	■	
1.5 (08, 68) (G15MF)		Gasolina	FWD	1498	55	75	02.95-08.97	■	
1.5 16V (08, 68) (A15MF)	Rim 13	Gasolina	FWD	1498	66	90	02.95-08.97	■	
<b>NEXIA / CIELO 02.95-06.08</b>					<b>Saloon (Supermini car-B Segment)</b>				
1.5 (19) (G15MF)	Rim 13	Gasolina	FWD	1498	44	60	08.96-08.97	■	
1.5 (19) (G15MF)	Rim 13	Gasolina	FWD	1498	52	71	02.95-08.97	■	
1.5 (19) (G15MF)	Rim 13	Gasolina	FWD	1498	55	75	02.95-08.97	■	
1.5 (19) (G15MF)		Gasolina	FWD	1498	59	80	08.97-06.08	■	
1.5 16V (19) (A15MF)	Rim 13	Gasolina	FWD	1498	66	90	02.95-08.97	■	
<b>RACER 01.86-12.97</b>					<b>Hatchback (Supermini car-B Segment)</b>				
1.5 (G15MF)		Gasolina	FWD	1498	52	71	03.95-12.97	■	
<b>FSO</b>									
<b>LANOS 05.04-10.08</b>					<b>Hatchback (Supermini car-B Segment)</b>				
1.4 (A13SM)		Gasolina	FWD	1349	55	75	05.04-10.08	■	
1.5 (A15SM)		Gasolina	FWD	1498	63	86	05.04-10.08	■	
<b>LANOS 05.04-10.08</b>					<b>Saloon (Supermini car-B Segment)</b>				
1.4 (A13SM)		Gasolina	FWD	1349	55	75	05.04-10.08	■	
1.5 (A15SM)		Gasolina	FWD	1498	63	86	05.04-10.08	■	
<b>OPEL</b>									
<b>ASCONA C (J82) 09.81-08.88</b>					<b>Hatchback (Executive car-E Segment)</b>				
2.0 i (F68, M68) (20 NE)		Gasolina	FWD	1998	85	115	09.86-08.88	■	
2.0 i Cat (F68, M68) (C 20 NE)		Gasolina	FWD	1998	85	116	09.86-08.88	■	
<b>ASCONA C (J82) 09.81-10.88</b>					<b>Saloon (Executive car-E Segment)</b>				
2.0 i (F11, M11, F68, M68) (C 20 NEF)		Gasolina	FWD	1998	74	100	08.87-08.88	■	

# LISTA DE APLICACIONES - BUYERS GUIDE

2.0 i (F11, M11, F68, M68) (20 NE)		Gasolina	FWD	1998	85	115	09.86-08.88	■	
2.0 i Cat (F11, M11, F68, M68) (C 20 NE)		Gasolina	FWD	1998	85	116	09.86-08.88	■	
<b>ASTRA F (T92) 03.93-03.01</b>							<b>Convertible (Compact car-C Segment)</b>		
1.6 i (X 16 SZ)		Gasolina	FWD	1598	52	71	03.93-08.96	■	
1.6 i (X 16 SZR)		Gasolina	FWD	1598	55	75	01.96-03.01	■	
<b>ASTRA F (T92) 10.91-01.99</b>							<b>Estate Van (Compact car-C Segment)</b>		
1.6 i (F70) (X 16 SZ)	06/93-	Gasolina	FWD	1598	52	71	02.93-07.96	■	
1.6 i (F70) (C 16 SE)		Gasolina	FWD	1598	74	101	03.92-12.94	■	
1.7 TD (F70) (17 TD)		Diesel	FWD	1686	60	82	03.95-02.98	■	
1.7 D (F70) (17 D)		Diesel	FWD	1699	42	57	12.91-09.92	■	
1.7 D (F70) (17 DR)	-02/98	Diesel	FWD	1699	44	60	07.92-01.99	■	
1.7 TD (F70) (X 17 DTL)	-02/98	Diesel	FWD	1699	50	68	08.94-01.99	■	
<b>ASTRA F (T92) 09.91-01.01</b>							<b>Estate (Compact car-C Segment)</b>		
1.4 (F35, M35) (14 NV)		Gasolina	FWD	1389	55	75	09.91-09.93	■	
1.4 (F35, M35) (14 SE)	09/95-	Gasolina	FWD	1389	60	82	09.92-01.98	■	
1.4 Si (F35, M35) (C 14 SE)	09/95-	Gasolina	FWD	1389	60	82	03.92-01.98	■	
1.4 i 16V (F35, M35) (X 14 XE)		Gasolina	FWD	1389	66	90	02.96-01.98	■	
1.6 i (F35, M35) (X 16 SZ)		Gasolina	FWD	1598	52	71	05.93-07.96	■	
1.6 (F35, M35) (16 LZ2)		Gasolina	FWD	1598	55	75	09.95-01.98	■	
1.6 (F35, M35) (16 NZR)		Gasolina	FWD	1598	55	75	09.95-01.98	■	
1.6 i (F35, M35) (C 16 NZ)		Gasolina	FWD	1598	55	75	09.91-01.98	■	
1.6 i (F35, M35) (X 16 SZR)		Gasolina	FWD	1598	55	75	09.91-01.98	■	
1.6 Si (F35, M35) (C 16 SE)	-08/94	Gasolina	FWD	1598	74	101	03.92-12.94	■	
1.7 TDS (F35, M35) (17 TD)		Diesel	FWD	1686	60	82	12.91-01.98	■	
1.7 D (F35, M35) (17 D)		Diesel	FWD	1699	42	57	12.91-09.92	■	
1.7 D (F35, M35) (17 DR)		Diesel	FWD	1699	44	60	07.92-01.98	■	
1.7 TD (F35, M35) (X 17 DTL)		Diesel	FWD	1699	50	68	11.94-01.98	■	
<b>ASTRA F (T92) 09.91-10.00</b>							<b>Hatchback (Compact car-C Segment)</b>		
1.6 i (F08, M08, F68, M68) (X 16 SZ)		Gasolina	FWD	1598	52	71	05.93-07.96	■	
1.6 (F08, M08, F68, M68) (16 LZ2)		Gasolina	FWD	1598	55	75	09.95-01.98	■	
1.6 (F08, M08, F68, M68) (16 NZR)		Gasolina	FWD	1598	55	75	09.95-01.98	■	
1.6 i (F08, M08, F68, M68) (C 16 NZ)		Gasolina	FWD	1598	55	75	09.91-01.98	■	
1.6 i (F08, M08, F68, M68) (X 16 SZR)		Gasolina	FWD	1598	55	75	09.91-01.98	■	
1.6 Si (F08, M08, F68, M68) (C 16 SE)		Gasolina	FWD	1598	74	101	03.92-12.94	■	
1.7 TDS (F08, M08, F68, M68) (17 TD)		Diesel	FWD	1686	60	82	12.91-01.98	■	
1.7 D (F08, M08, F68, M68) (17 D)		Diesel	FWD	1699	42	57	12.91-09.92	■	
1.7 D (F08, M08, F68, M68) (17 DR)		Diesel	FWD	1699	44	60	07.92-01.98	■	
1.7 TD (F08, M08, F68, M68) (X 17 DTL)		Diesel	FWD	1699	50	68	11.94-01.98	■	
<b>ASTRA F (T92) 09.91-01.01</b>							<b>Saloon (Compact car-C Segment)</b>		
1.6 i (F19, M19) (X 16 SZ)		Gasolina	FWD	1598	52	71	05.93-07.96	■	
1.6 (F19, M19) (16 LZ2)		Gasolina	FWD	1598	55	75	09.95-09.98	■	
1.6 (F19, M19) (16 NZR)		Gasolina	FWD	1598	55	75	09.95-09.98	■	
1.6 i (F19, M19) (C 16 NZ)		Gasolina	FWD	1598	55	75	03.92-09.98	■	
1.6 i (F19, M19) (X 16 SZR)		Gasolina	FWD	1598	55	75	03.92-09.98	■	
1.7 TDS (F19, M19) (17 TD)		Diesel	FWD	1686	60	82	03.92-09.98	■	
1.7 D (F19, M19) (17 D)		Diesel	FWD	1699	42	57	03.92-09.92	■	
1.7 D (F19, M19) (17 DR)		Diesel	FWD	1699	44	60	07.92-09.98	■	
1.7 TD (F19, M19) (X 17 DTL)		Diesel	FWD	1699	50	68	11.94-09.98	■	

# LISTA DE APLICACIONES - BUYERS GUIDE

<b>ASTRA F CLASSIC (T92) 01.98-01.05</b>						<b>Estate (Compact car-C Segment)</b>			
1.6 i (F35, M35) (X 16 SZR)	-08/02	Gasolina	FWD	1598	55	75	01.98-01.05	■	
<b>ASTRA F CLASSIC (T92) 01.98-08.02</b>						<b>Hatchback (Compact car-C Segment)</b>			
1.6 i (F08, M08, F68, M68) (X 16 SZR)		Gasolina	FWD	1598	55	75	01.98-08.02	■	
<b>ASTRA F CLASSIC (T92) 01.98-08.02</b>						<b>Saloon (Compact car-C Segment)</b>			
1.6 i (F19, M19) (X 16 SZR)		Gasolina	FWD	1598	55	75	01.98-08.02	■	
<b>COMBO B (71_) 07.94-10.01</b>						<b>Box Body/MPV (LCVs-N1 Segment)</b>			
1.2 (C 12 NZ)		Gasolina	FWD	1195	33	45	07.94-10.01	■	
1.2 (X 12 SZ)		Gasolina	FWD	1195	33	45	07.94-10.01	■	
1.4 (C 14 NZ)		Gasolina	FWD	1389	44	60	07.94-10.01	■	
1.4 (X 14 SZ)		Gasolina	FWD	1389	44	60	07.94-10.01	■	
1.4 (C 14 SE)		Gasolina	FWD	1389	60	82	07.94-10.01	■	
1.4 16V (X 14 XE)		Gasolina	FWD	1389	66	90	08.99-10.01	■	
1.7 D (17 D (4EE1))		Diesel	FWD	1686	44	60	07.94-10.01	■	
1.7 D (X 17 D (4EE1))		Diesel	FWD	1686	44	60	07.94-10.01	■	
<b>CORSA A (S83) 09.82-03.93</b>						<b>Hatchback (Supermini car-B Segment)</b>			
1.4 Si (F08, M08, F68, M68) (C 14 SE)		Gasolina	FWD	1389	60	82	09.91-03.93	■	
1.6 GSI (F08, M08, F68, M68) (C 16 SEI)		Gasolina	FWD	1598	72	98	09.89-03.93	■	
1.6 GSI (F08, M08, F68, M68) (E 16 SE)		Gasolina	FWD	1598	74	100	05.88-03.92	■	
1.6 GSI Cat (F08, M08, F68, M68) (C 16 SE)		Gasolina	FWD	1598	74	101	02.92-03.93	■	
<b>CORSA B (S93) 04.98-12.02</b>						<b>Estate (Supermini car-B Segment)</b>			
1.7 D (F35) (X 17 D)		Diesel	FWD	1686	44	60	01.99-12.02	■	
<b>CORSA B / VITA B (S93) 03.93-10.09</b>						<b>Hatchback (Supermini car-B Segment)</b>			
1.4 i (F08, F68, M68) (C 14 NZ)		Gasolina	FWD	1389	40	54	03.93-09.00	■	
1.4 i (F08, F68, M68) (X 14 SZ)		Gasolina	FWD	1389	40	54	03.93-09.00	■	
1.4 i (F08, F68, M68) (C 14 NZ)		Gasolina	FWD	1389	44	60	03.93-09.00	■	
1.4 i (F08, F68, M68) (X 14 SZ)		Gasolina	FWD	1389	44	60	03.93-09.00	■	
1.4 (F08, F68, M68) (C 14 SE)		Gasolina	FWD	1389	54	73	04.93-08.94	■	
1.4 Si (F08, F68, M68) (C 14 SE)		Gasolina	FWD	1389	60	82	03.93-09.00	■	
1.4 i 16V (F08, F68, M68) (C 14 SEL)		Gasolina	FWD	1389	63	86	08.97-09.00	■	
1.4 i 16V (F08, F68, M68) (X 14 XE)		Gasolina	FWD	1389	66	90	09.94-09.00	■	
<b>KADETT D (31_-34_, 41_-44_) 08.79-08.84</b>						<b>Hatchback (Compact car-C Segment)</b>			
1.8 GT/E (18 E)		Gasolina	FWD	1796	85	115	02.83-08.84	■	
<b>KADETT E (T85) 09.84-12.93</b>						<b>Hatchback (Compact car-C Segment)</b>			
1.8 i (C08, C48, D08, D48) (C 18 NT)	Eq.V_ GT	Gasolina	FWD	1796	66	90	06.85-08.91	■	
1.8 i (C08, C48, D08, D48) (C 18 NZ)	Eq.V_ GT	Gasolina	FWD	1796	66	90	06.85-08.91	■	
1.8 E (C08, C48, D08, D48) (C 18 NE)	Eq.V_ GT	Gasolina	FWD	1796	74	100	10.85-08.86	■	
1.8 (43, 34, 44)		Gasolina	FWD	1796	82	111	08.85-08.88	■	
1.8 GSI (C08, C48, D08, D48) (18 E)		Gasolina	FWD	1796	85	115	09.84-08.86	■	
<b>KADETT E / MONZA E (T85) 09.84-12.93</b>						<b>Saloon (Compact car-C Segment)</b>			
1.8 S (C19, D19) (E 18 NV)		Gasolina	FWD	1796	62	84	09.87-08.91	■	
1.8 S (C19, D19) (S 18 NV)		Gasolina	FWD	1796	62	84	09.87-08.91	■	
1.8 i (C19, D19) (18 SV)		Gasolina	FWD	1796	66	90	08.89-05.92	■	
1.8 i (C19, D19) (C 18 NT)		Gasolina	FWD	1796	66	90	08.89-05.92	■	
1.8 i (C19, D19) (C 18 NZ)		Gasolina	FWD	1796	66	90	08.89-05.92	■	
1.8 i (C19, D19) (C 18 NE)		Gasolina	FWD	1796	74	100	10.85-08.86	■	
1.8 (C19, D19) (18 E)		Gasolina	FWD	1796	84	114	09.87-08.90	■	

# LISTA DE APLICACIONES - BUYERS GUIDE

1.8 i (C19, D19) (18 E)		Gasolina	FWD	1796	85	115	09.84-08.86	■
1.8 i (C19, D19) (18 SE)		Gasolina	FWD	1796	85	115	09.84-08.86	■
<b>MANTA A (58_, 59_) 09.70-08.75</b>				<b>Coupe (Sports car-S Segment)</b>				
1.6 (16 N)		Gasolina	RWD	1584	44	60	02.75-08.75	■
1.6 (16 N)		Gasolina	RWD	1584	50	68	09.70-08.75	■
1.6 (16 S)		Gasolina	RWD	1584	55	75	02.75-08.75	■
1.6 S (16 S)		Gasolina	RWD	1584	59	80	09.70-08.75	■
1.9 S (19 S)		Gasolina	RWD	1897	65	88	09.70-08.75	■
1.9 S (19 S)		Gasolina	RWD	1897	66	90	09.70-08.75	■
<b>MANTA B (53_, 55_) 09.75-08.88</b>				<b>Coupe (Sports car-S Segment)</b>				
1.6 (16 S)		Gasolina	RWD	1584	51	69	09.75-08.81	■
<b>MANTA B (58_, 59_) 09.75-08.88</b>				<b>Saloon (Sports car-S Segment)</b>				
1.6 (16 S)		Gasolina	RWD	1584	51	69	09.75-08.81	■
<b>REKORD D 01.72-08.77</b>				<b>Coupe (Large family car-D Segment)</b>				
1.7 S (17 S)		Gasolina	RWD	1698	61	83	01.72-02.75	■
1.9 S (19 SH)		Gasolina	RWD	1897	71	97	01.72-02.75	■
<b>REKORD D 01.72-08.77</b>				<b>Estate (Large family car-D Segment)</b>				
1.7 (17 N)		Gasolina	RWD	1698	49	67	01.72-02.75	■
1.7 S (17 S)		Gasolina	RWD	1698	61	83	01.72-02.75	■
1.9 S (19 SH)		Gasolina	RWD	1897	71	97	01.72-02.75	■
2.0 D (20 D)		Diesel	RWD	1998	40	54	08.74-08.77	■
2.1 D (21 D)		Diesel	RWD	2068	44	60	09.72-08.77	■
<b>REKORD D 01.72-08.77</b>				<b>Saloon (Large family car-D Segment)</b>				
1.7 S (17 S)		Gasolina	RWD	1698	61	83	01.72-02.75	■
1.9 S (19 SH)		Gasolina	RWD	1897	71	97	01.72-02.75	■
2.0 D (20 D)		Diesel	RWD	1998	40	54	08.74-08.77	■
<b>TIGRA A (S93) 07.94-12.00</b>				<b>Coupe (Sports car-S Segment)</b>				
1.4 16V (F07) (X 14 XE)		Gasolina	FWD	1389	63	86	08.97-12.00	■
<b>VECTRA A (J89) 04.88-12.95</b>				<b>Hatchback (Large family car-D Segment)</b>				
1.4 S (F68, M68) (14 NV)	09/91-	Gasolina	FWD	1389	55	75	04.88-06.92	■
1.6 (F68, M68) (C 16 LZ2)		Gasolina	FWD	1598	51	69	08.92-07.93	■
1.6 i (F68, M68) (X 16 SZ)		Gasolina	FWD	1598	52	71	09.93-11.95	■
1.6 i (F68, M68) (16 LZ2)		Gasolina	FWD	1598	55	75	09.93-11.95	■
1.6 i Cat (F68, M68) (C 16 NZ)	09/91-	Gasolina	FWD	1598	55	75	09.88-11.95	■
1.6 i Cat (F68, M68) (C 16 NZ2)	09/91-	Gasolina	FWD	1598	55	75	09.88-11.95	■
1.6 S (16 SV)	08/91-	Gasolina	FWD	1598	60	82	09.88-05.93	■
1.6 (F68, M68) (E 16 NZ)	08/91-	Gasolina	FWD	1598	65	88	08.88-06.94	■
<b>VECTRA A (J89) 08.88-12.95</b>				<b>Saloon (Large family car-D Segment)</b>				
1.4 S (F19, M19) (14 NV)	08/91-	Gasolina	FWD	1389	55	75	09.88-06.92	■
1.6 (F19, M19) (C 16 LZ2)		Gasolina	FWD	1598	51	69	08.92-07.93	■
1.6 i (F19, M19) (X 16 SZ)		Gasolina	FWD	1598	52	71	09.93-11.95	■
1.6 i (F19, M19) (16 LZ2)		Gasolina	FWD	1598	55	75	09.93-11.95	■
1.6 i (F19, M19) (C 16 LZ2)		Gasolina	FWD	1598	55	75	09.93-11.95	■
1.6 (F19, M19) (16 SV)	08/91-	Gasolina	FWD	1598	60	82	09.88-05.93	■
1.6		Gasolina	FWD	1598	65	88	08.92-06.94	■

**VAUXHALL**

# LISTA DE APLICACIONES - BUYERS GUIDE

<b>ASTRA Mk II (T85) 09.84-08.91</b>					<b>Estate (Compact car-C Segment)</b>			
1.8 i (18 E)		Gasolina	FWD	1796	83	112	01.90-08.91	■
<b>ASTRA Mk II BELMONT (T85) 09.85-12.91</b>					<b>Saloon (Compact car-C Segment)</b>			
1.4 S (14 NV)		Gasolina	FWD	1389	55	75	10.89-12.91	■
1.8 (18 SE)		Gasolina	FWD	1796	82	111	01.86-12.90	■
1.8 i (18 E)		Gasolina	FWD	1796	85	115	09.85-08.91	■
1.8 i (18 SE)		Gasolina	FWD	1796	85	115	09.85-08.91	■
<b>ASTRA Mk II CC (T85) 09.84-08.91</b>					<b>Hatchback (Compact car-C Segment)</b>			
1.8 GTE (18 E)		Gasolina	FWD	1796	82	112	09.84-08.91	■
1.8 GTE (18 SE)		Gasolina	FWD	1796	82	112	09.84-08.91	■
<b>ASTRA Mk III (F) (T92) 09.91-03.01</b>					<b>Convertible (Compact car-C Segment)</b>			
1.4 i	-08/93	Gasolina	FWD	1389	60	82	05.93-03.01	■
1.4 i 16V		Gasolina	FWD	1389	66	90	01.96-03.01	■
1.6 i (X 16 SZ)		Gasolina	FWD	1598	52	71	03.93-08.96	■
1.6 i (X 16 SZR)		Gasolina	FWD	1598	55	75	01.96-03.01	■
1.6		Gasolina	FWD	1598	74	100	03.94-08.95	■
<b>ASTRA Mk III (F) (T92) 03.91-12.98</b>					<b>Estate (Compact car-C Segment)</b>			
1.4 i (C 14 NZ)	-08/94	Gasolina	FWD	1389	44	60	09.91-02.98	■
1.4 i (X 14 NZ)	-08/94	Gasolina	FWD	1389	44	60	09.91-02.98	■
1.4 S	-08/93	Gasolina	FWD	1389	55	75	09.91-02.98	■
1.4 i (C 14 SE)	-08/93	Gasolina	FWD	1389	60	82	03.91-02.98	■
1.4 i 16V (X 14 XE)		Gasolina	FWD	1389	66	90	02.96-01.98	■
1.6 i (X 16 SZ)		Gasolina	FWD	1598	52	71	07.94-02.98	■
1.6 i (C 16 NZ)		Gasolina	FWD	1598	55	75	09.91-12.98	■
1.6 i (E 16 NZ)		Gasolina	FWD	1598	55	75	09.91-12.98	■
1.6 i (X 16 SZR)		Gasolina	FWD	1598	55	75	09.91-12.98	■
1.6 Si (C 16 SE)		Gasolina	FWD	1598	74	100	03.91-12.94	■
1.7 TD (17 TD)		Diesel	FWD	1686	60	82	12.91-02.98	■
1.7 D (17 D)		Diesel	FWD	1699	42	57	12.91-02.98	■
1.7 D (17 DR)		Diesel	FWD	1699	44	60	03.91-12.94	■
1.7 TD (X 17 DTL)		Diesel	FWD	1700	50	68	01.94-02.98	■
<b>ASTRA Mk III (F) (T92) 09.91-02.98</b>					<b>Hatchback (Compact car-C Segment)</b>			
1.4 i (C 14 NZ)	-08/93	Gasolina	FWD	1389	44	60	09.91-02.98	■
1.4 i (X 14 NZ)	-08/93	Gasolina	FWD	1389	44	60	09.91-02.98	■
1.4 S (14 NV)	-08/93	Gasolina	FWD	1389	55	75	09.91-02.98	■
1.4 i (C 14 SE)	-08/93	Gasolina	FWD	1389	60	82	03.92-02.98	■
1.4 i 16V (X 14 XE)		Gasolina	FWD	1389	66	90	02.96-02.98	■
1.6 i (X 16 SZ)		Gasolina	FWD	1598	52	71	02.93-12.96	■
1.6 i (16 NZR)		Gasolina	FWD	1598	55	75	09.91-02.98	■
1.6 i (C 16 NZ)		Gasolina	FWD	1598	55	75	09.91-02.98	■
1.6 i (E 16 NZ)		Gasolina	FWD	1598	55	75	09.91-02.98	■
1.6 i (X 16 SZR)		Gasolina	FWD	1598	55	75	09.91-02.98	■
1.6 i (C 16 SE)		Gasolina	FWD	1598	74	100	03.92-02.98	■
1.7 TD (17 TD)		Diesel	FWD	1686	60	82	12.91-02.98	■
1.7 D (17 D)		Diesel	FWD	1699	42	57	12.91-02.98	■
1.7 D (17 DR)		Diesel	FWD	1699	44	60	09.91-12.94	■
1.7 TD (X 17 DTL)		Diesel	FWD	1700	50	68	08.94-02.98	■

# LISTA DE APLICACIONES - BUYERS GUIDE

<b>ASTRA Mk III (F) (T92) 09.91-09.98</b>					<b>Saloon (Compact car-C Segment)</b>			
1.4 i (C 14 SE)	-08/93	Gasolina	FWD	1389	60	82	04.92-09.98	■
1.4 i 16V (X 14 XE)		Gasolina	FWD	1389	66	90	02.96-09.98	■
1.6 i (X 16 SZ)		Gasolina	FWD	1598	52	71	08.94-07.96	■
1.6 i (C 16 NZ)		Gasolina	FWD	1598	55	75	03.92-09.98	■
1.6 i (X 16 SZR)		Gasolina	FWD	1598	55	75	03.92-09.98	■
1.6 i (C 16 SE)		Gasolina	FWD	1598	74	100	05.92-12.94	■
1.7 TD (17 TD)		Diesel	FWD	1686	60	82	12.91-09.98	■
1.7 D (17 D)		Diesel	FWD	1699	42	57	03.92-09.92	■
1.7 D (17 DR)		Diesel	FWD	1699	44	60	07.92-09.98	■
1.7 TD (X 17 DTL)		Diesel	FWD	1700	50	68	08.94-09.98	■
<b>ASTRAMAX (T85) 08.85-10.94</b>					<b>Box Body/MPV (LCVs-N1 Segment)</b>			
1.3 S (13 S)		Gasolina	FWD	1297	55	75	08.85-12.89	■
1.4 i (C 14 NZ)		Gasolina	FWD	1389	44	60	08.91-07.94	■
1.6 i (C 16 NZ)		Gasolina	FWD	1598	55	75	08.91-10.94	■
1.6 (16 SV)		Gasolina	FWD	1598	60	82	09.85-12.91	■
1.6 (C 16 NZ)		Gasolina	FWD	1598	61	83	12.86-12.92	■
1.6 (E 16 NZ)		Gasolina	FWD	1598	61	83	12.86-12.92	■
<b>ASTRAVAN Mk III (F) (T92) 01.91-08.98</b>					<b>Estate Van (Compact car-C Segment)</b>			
1.4 i (F70) (C 14 NZ)		Gasolina	FWD	1389	44	60	09.91-08.95	■
1.6 i (F70) (X 16 SZ)		Gasolina	FWD	1598	52	71	09.94-08.96	■
1.6 i (F70) (C 16 NZ)	09/94-, -08/95	Gasolina	FWD	1598	55	75	10.91-08.98	■
1.7 TD (F70) (17 TD)		Diesel	FWD	1686	60	82	09.95-08.96	■
1.7 D (F70) (17 D)		Diesel	FWD	1699	42	57	09.91-08.93	■
1.7 D (F70) (17 DR)		Diesel	FWD	1699	44	60	10.91-12.94	■
1.7 TD (F70) (X 17 DTL)		Diesel	FWD	1700	50	68	09.94-08.98	■
<b>CAVALIER Mk II (J82) 08.84-10.88</b>					<b>Convertible (Large family car-D Segment)</b>			
1800i (18 SE)		Gasolina	FWD	1796	82	112	03.85-10.88	■
1800i		Gasolina	FWD	1796	85	115	08.84-10.88	■
<b>CAVALIER Mk II (J82) 09.81-08.88</b>					<b>Estate (Large family car-D Segment)</b>			
1.8 i (18 E)		Gasolina	FWD	1796	82	112	09.81-08.86	■
1.8 i (18 SE)		Gasolina	FWD	1796	82	112	09.81-08.86	■
<b>CAVALIER Mk II (J82) 09.81-08.88</b>					<b>Saloon (Large family car-D Segment)</b>			
1.8 i Cat (C 18 NE)		Gasolina	FWD	1796	74	100	01.85-08.86	■
1.8 i (18 SE)	09/83-	Gasolina	FWD	1796	82	112	09.81-08.88	■
1.8 i (18 E)		Gasolina	FWD	1796	85	115	09.81-08.88	■
2.0		Gasolina	FWD	1979	74	101	09.86-08.87	■
2.0		Gasolina	FWD	1979	81	110	08.86-08.87	■
2.0 i (20 NE)		Gasolina	FWD	1998	85	115	09.86-08.88	■
2.0 i Cat (C 20 NE)		Gasolina	FWD	1998	85	115	09.86-08.88	■
2000i (20 SE)		Gasolina	FWD	1998	90	122	09.86-08.88	■
2.0 4x4 (20 SEH)		Gasolina	4WD	1998	95	129	09.87-08.88	■
2.0 SRi 130 (20 SEH)		Gasolina	FWD	1998	95	130	03.87-08.88	■
<b>CAVALIER Mk II CC (J82) 09.81-08.88</b>					<b>Hatchback (Large family car-D Segment)</b>			
1.8 i (18 SE)		Gasolina	FWD	1796	82	112	09.81-08.88	■
1.8 i (18 E)		Gasolina	FWD	1796	85	115	09.81-08.88	■
2.0		Gasolina	FWD	1979	74	101	09.86-08.87	■
2.0		Gasolina	FWD	1979	81	110	09.86-08.87	■

# LISTA DE APLICACIONES - BUYERS GUIDE

2.0 i Cat (C 20 NE)		Gasolina	FWD	1998	85	115	09.86-08.88	■	
2000i (20 SE)		Gasolina	FWD	1998	90	122	09.86-08.88	■	
2.0		Gasolina	FWD	1998	95	129	09.87-08.88	■	
2.0 SRi 130 (20 SEH)		Gasolina	FWD	1998	95	130	03.87-08.88	■	
<b>CAVALIER Mk III (J89) 08.88-11.95</b>							<b>Saloon (Large family car-D Segment)</b>		
1.4 S (14 NV)		Gasolina	FWD	1389	55	75	09.88-11.95	■	
1.6 i (X 16 SZ)		Gasolina	FWD	1598	52	71	09.93-11.95	■	
1.6 i (C 16 NZ)		Gasolina	FWD	1598	55	75	09.88-11.95	■	
1.6 i (E 16 NZ)		Gasolina	FWD	1598	55	75	09.88-11.95	■	
1.6 (16 SV)		Gasolina	FWD	1598	60	82	09.88-05.93	■	
<b>CAVALIER Mk III CC (J89) 09.88-11.95</b>							<b>Hatchback (Large family car-D Segment)</b>		
1.4 S (14 NV)		Gasolina	FWD	1389	55	75	09.88-11.95	■	
1.6 i (X 16 SZ)		Gasolina	FWD	1598	52	71	09.93-11.95	■	
1.6 i (C 16 NZ)		Gasolina	FWD	1598	55	75	09.88-11.95	■	
1.6 i (E 16 NZ)		Gasolina	FWD	1598	55	75	09.88-11.95	■	
1.6 (16 SV)		Gasolina	FWD	1598	60	82	09.88-05.93	■	
<b>COMBO Mk I (B) (S93) 07.94-10.01</b>							<b>Box Body/MPV (LCVs-N1 Segment)</b>		
1.2		Gasolina	FWD	1195	33	45	07.94-10.01	■	
1.4 (C 14 NZ)		Gasolina	FWD	1389	44	60	07.94-10.01	■	
1.4 (X 14 SZ)		Gasolina	FWD	1389	44	60	07.94-10.01	■	
1.4		Gasolina	FWD	1389	60	82	07.94-10.01	■	
1.4 16V (X 14 XE)		Gasolina	FWD	1389	66	90	08.99-10.01	■	
1.7 D		Diesel	FWD	1686	44	60	07.94-10.01	■	
<b>CORSAVAN Mk I (B) (S93) 01.94-09.00</b>							<b>Hatchback Van (LCVs-N1 Segment)</b>		
1.4 i (C 14 NZ)		Gasolina	FWD	1389	44	60	01.94-09.00	■	
1.4 i (X 14 SZ)		Gasolina	FWD	1389	44	60	01.94-09.00	■	
1.5 D (15 D)		Diesel	FWD	1488	37	50	08.94-12.95	■	
<b>NOVA CC (S83) 05.83-03.93</b>							<b>Hatchback (Supermini car-B Segment)</b>		
1.6		Gasolina	FWD	1598	60	81	09.88-08.90	■	
1.6 GSI (C 16 SEI)	10/90-	Gasolina	FWD	1598	72	98	09.89-03.93	■	
1.6 GSI (E 16 SE)	10/90-	Gasolina	FWD	1598	74	100	05.88-03.92	■	
1.6 GSI Cat (C 16 SE)		Gasolina	FWD	1598	74	101	02.92-03.93	■	
<b>TIGRA MK I (S93) 07.94-12.00</b>							<b>Coupe (Sports car-S Segment)</b>		
1.4 16V (X 14 XE)		Gasolina	FWD	1389	66	90	07.94-12.00	■	
<b>ZAZ</b>									
<b>LANOS / SENS-CHANCE (TA_, TF_) 10.04-</b>							<b>Hatchback (Supermini car-B Segment)</b>		
1.4 (A13SM)		Gasolina	FWD	1349	55	75	10.04-08.09	■	
1.5 (TF48YP) (A15SM)		Gasolina	FWD	1498	63	86	10.04-02.17	■	
<b>LANOS / SENS-CHANCE (TA_, TF_) 10.04-</b>							<b>Saloon (Supermini car-B Segment)</b>		
1.4 (A13SM)		Gasolina	FWD	1349	55	75	10.04-08.09	■	
1.5 (A15SM)		Gasolina	FWD	1498	63	86	10.04-02.17	■	
<b>LANOS PICK-UP 10.04-</b>							<b>Box Body/MPV (LCVs-N1 Segment)</b>		
1.4 (A13SM)		Gasolina	FWD	1349	55	75	10.04-	■	
1.5 (A15SM)		Gasolina	FWD	1498	63	86	10.04-	■	
<b>SENS (TF_) 10.04-</b>							<b>Hatchback (Supermini car-B Segment)</b>		
1.3 (MEMZ-307)		Gasolina	FWD	1299	52	71	10.04-	■	

# LISTA DE APLICACIONES - BUYERS GUIDE

<b>SENS (TF_) 10.04-</b>				<b>Saloon (Supermini car-B Segment)</b>			
1.3 (TF698K10, TF698K11, TF698K12, TF69K74, TF698K75,... (MEMZ-307)	Gasolina	FWD	1299	52	71	10.04-	■
1.3 LPG (MEMZ-307)	Gasol./Gas (LPG)	FWD	1299	48	65	03.07-	■