

LISTA DE APLICACIONES - BUYERS GUIDE

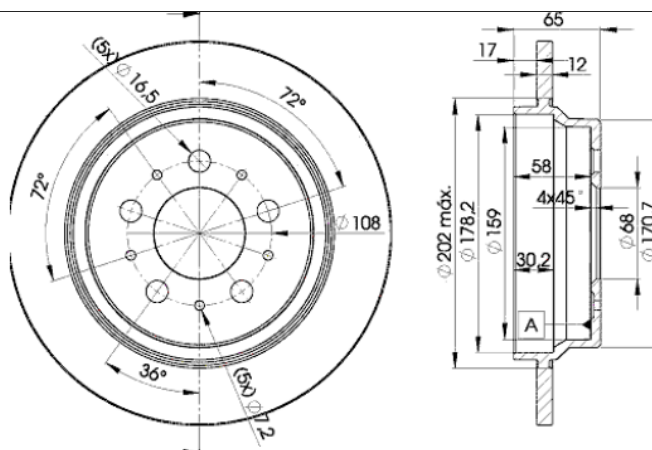
78BD1674-1



8 424073 143259

Weight: 5.722

O.E.M.	MAKE
9 434 167 0	VOLVO
9 434 167 4	VOLVO



78BD1674-1

E1 90R-02C0453/0106



Ø288x12x65

MAKE
VOLVO



Trac.	CC	Kw	CV
-------	----	----	----



Front / Rear

VOLVO

S60 (384) 07.00-04.10							Saloon (Compact executive car-D Segment)	
2.0 T (B 5204 T5)		Gasolina	FWD	1984	132	180	07.00-04.10	■
T5 (B 5234 T3)		Gasolina	FWD	2319	184	250	07.00-04.10	■
T5 (B 5234 T7)		Gasolina	FWD	2319	195	265	07.00-09.02	■
2.4		Gasolina	FWD	2401	191	260	02.04-04.10	■
T5 (B 5244 T5)		Gasolina	FWD	2401	191	260	04.04-04.10	■
2.4 (B 5244 S2)		Gasolina	FWD	2435	103	140	07.00-04.10	■
2.4 (B 5244 S)		Gasolina	FWD	2435	125	170	11.00-04.10	■
2.4 (B 5244 T4)		Gasolina	FWD	2435	132	180	01.05-10.06	■
2.4 T (B 5244 T3)		Gasolina	FWD	2435	147	200	07.00-04.10	■
2.4 T AWD (B 5244 T3)		Gasolina	4WD	2435	147	200	06.01-04.10	■
2.5 T (B 5254 T2)		Gasolina	FWD	2521	154	210	01.03-04.10	■
2.5 T AWD (B 5254 T2)		Gasolina	4WD	2521	154	210	07.02-04.10	■
R 2,5 T AWD (B 5254 T4)		Gasolina	4WD	2521	221	300	01.03-04.10	■
2.5		Gasolina	FWD	2521	224	300	09.03-04.10	■
2.4 Bifuel (LPG) (B 5244 SG2)		Gasol./Gas (LPG)	FWD	2435	103	140	07.01-04.10	■
2.4 Bifuel (CNG) (B 5244 SG)		Gasol./Gas (CNG)	FWD	2435	103	140	07.01-04.10	■
2.4 D (D 5244 T7)		Diesel	FWD	2400	93	126	03.05-04.10	■
2.4 CDI (D 5244 T3)		Diesel	FWD	2401	85	116	10.03-12.05	■
2.4 D (D 5244 T6)		Diesel	FWD	2401	90	122	05.05-12.06	■
2.4 D (D 5244 T2)		Diesel	FWD	2401	96	130	05.01-04.10	■
D5 (D 5244 T)		Diesel	FWD	2401	120	163	01.01-04.10	■

LISTA DE APLICACIONES - BUYERS GUIDE

D5 (D 5244 T4)		Diesel	FWD	2401	136	185	03.05-04.10	■
S80 (184) 05.98-02.08				Saloon (Executive car-E Segment)				
2.0 (B 5204 T4)		Gasolina	FWD	1984	120	163	06.98-07.06	■
2.0 T (B 5204 T5)		Gasolina	FWD	1984	132	180	12.99-07.06	■
2.0 T (B 5204 T3)		Gasolina	FWD	1984	166	226	06.98-07.06	■
2.3 R (B 5234 T7)		Gasolina	FWD	2319	195	265	04.00-08.05	■
2.4 (B 5244 S2)		Gasolina	FWD	2435	103	140	01.99-07.06	■
2.4 (B 5244 S)		Gasolina	FWD	2435	125	170	01.99-07.06	■
2.4 LTP		Gasolina	FWD	2435	132	179	06.04-07.06	■
2.4 T (B 5244 T3)		Gasolina	FWD	2435	147	200	06.00-07.06	■
T5 AWD (B 5244 T3)		Gasolina	4WD	2435	147	200	04.00-09.03	■
2.5 T (B 5254 T2)		Gasolina	FWD	2521	154	210	03.03-07.06	■
2.5 T AWD (B 5254 T2)		Gasolina	4WD	2521	154	210	07.03-07.06	■
T6 (B 6284 T)		Gasolina	FWD	2783	200	272	05.98-12.01	■
2.9		Gasolina	FWD	2922	144	196	05.98-02.08	■
3.0 (B 6294 S2)		Gasolina	FWD	2922	144	196	06.01-07.06	■
2.9 (B 6294 S)		Gasolina	FWD	2922	147	200	03.99-07.06	■
2.9 (B 6304 S3)		Gasolina	FWD	2922	150	204	05.98-07.06	■
T6 (B 6294 T)		Gasolina	FWD	2922	200	272	06.01-07.06	■
T6		Gasolina	FWD	2922	200	272	06.01-07.06	■
2.4 Bifuel (LPG) (B 5244 SG)		Gasol./Gas (LPG)	FWD	2435	103	140	09.01-07.06	■
2.4 Bifuel (CNG) (B 5244 SG2)		Gasol./Gas (CNG)	FWD	2435	103	140	09.01-07.06	■
2.4 D (D 5244 T2)		Diesel	FWD	2401	96	131	10.01-07.06	■
D5 (D 5244 T)		Diesel	FWD	2401	120	163	08.01-07.06	■
2.5 TDI (D 5252 T)		Diesel	FWD	2460	103	140	01.99-07.06	■
V70 (875, 876) 12.95-12.00				Estate (Executive car-E Segment)				
2.4 (B 5244 S2)		Gasolina	FWD	2435	103	140	03.99-12.00	■
2.4 (B 5244 SG2)		Gasolina	FWD	2435	103	140	03.99-12.00	■
2.4 (B 5252 FS)		Gasolina	FWD	2435	106	144	12.95-03.00	■
2.4 (B 5254 S)		Gasolina	FWD	2435	121	165	06.98-12.99	■
2.4 AWD (B 5254 S)		Gasolina	4WD	2435	121	165	06.98-12.99	■
2.4 (B 5244 S)		Gasolina	FWD	2435	125	170	12.95-05.00	■
2.4 (B 5254 FS)		Gasolina	FWD	2435	125	170	12.95-05.00	■
2.4 (B 5254 S)		Gasolina	FWD	2435	125	170	12.95-05.00	■
2.4 Turbo (B 5244 T)		Gasolina	FWD	2435	142	193	04.96-12.00	■
2.4 Turbo (B 5254 T)		Gasolina	FWD	2435	142	193	04.96-12.00	■
2.4 Turbo AWD (B 5244 T)		Gasolina	4WD	2435	142	193	04.96-12.00	■
2.4 Turbo AWD (B 5254 T)		Gasolina	4WD	2435	142	193	04.96-12.00	■
2.4 Turbo		Gasolina	FWD	2435	195	265	05.99-02.00	■
2.4 Turbo AWD (B 5244 T2)		Gasolina	4WD	2435	195	265	03.99-12.00	■
2.4 Bifuel (B 5244 SG)		Gasol./Gas (CNG)	FWD	2435	103	140	08.99-12.00	■
2.4 Bifuel (GB 5252 S)		Gasol./Gas (CNG)	FWD	2435	106	144	05.98-12.99	■
2.5 TDI (D 5252 T)		Diesel	FWD	2460	103	140	12.95-12.00	■
2.5 TDi AWD (D 5252 T)		Diesel	4WD	2460	103	140	11.96-02.00	■
V70 II (285) 11.99-12.08				Estate (Executive car-E Segment)				
2.0 T (B 5204 T5)		Gasolina	FWD	1984	132	180	11.99-08.07	■
T5 (B 5234 T3)		Gasolina	FWD	2319	184	250	11.99-12.04	■

LISTA DE APLICACIONES - BUYERS GUIDE

2.3		Gasolina	FWD	2319	195	265	10.00-09.04	■
2.3 (B 5234 T7)		Gasolina	FWD	2319	195	265	10.00-09.04	■
T5 (B 5244 T5)		Gasolina	FWD	2401	191	260	04.04-08.07	■
2.4 (B 5244 S2)		Gasolina	FWD	2435	103	140	03.00-08.07	■
2.4		Gasolina	FWD	2435	121	165	03.00-09.03	■
2.4		Gasolina	FWD	2435	121	165	03.00-09.03	■
2.4 (B 5244 S)		Gasolina	FWD	2435	125	170	03.00-08.07	■
2.4 T (B 5244 T3)		Gasolina	FWD	2435	147	200	11.99-08.03	■
2.4 T AWD (B 5244 T3)		Gasolina	4WD	2435	147	200	09.01-08.02	■
2.5 T (B 5254 T2)		Gasolina	FWD	2521	154	209	07.01-08.07	■
2.5 T AWD (B 5254 T2)		Gasolina	4WD	2521	154	209	07.02-08.07	■
2.5 AWD (B 5254 T2)		Gasolina	4WD	2521	155	211	09.02-12.04	■
2.5 R Sport		Gasolina	FWD	2521	221	300	12.02-08.07	■
R 2,5 T AWD (B 5254 T4)		Gasolina	4WD	2521	221	300	03.03-08.07	■
2.4 Bifuel (LPG) (B 5244 SG2)		Gasol./Gas (LPG)	FWD	2435	103	140	09.01-08.07	■
2.4 Bifuel (CNG) (B 5244 SG)		Gasol./Gas (CNG)	FWD	2435	103	140	09.01-08.07	■
2.4 D (D 5244 T7)		Diesel	FWD	2400	93	126	04.05-12.08	■
2.4 D5		Diesel	FWD	2400	120	163	08.05-07.07	■
2.4 CDI (D 5244 T6)		Diesel	FWD	2401	90	122	07.05-12.08	■
2.4 D (D 5244 T2)		Diesel	FWD	2401	96	131	07.01-08.07	■
D5 (D 5244 T)		Diesel	FWD	2401	120	163	01.01-12.08	■
D5 (D 5244 T2)		Diesel	FWD	2401	120	163	01.01-12.08	■
D5 (D 5244 T5)		Diesel	FWD	2401	120	163	01.01-12.08	■
D5 AWD (D 5244 T)		Diesel	4WD	2401	120	163	07.02-08.07	■
D5 AWD (D 5244 T2)		Diesel	4WD	2401	120	163	07.02-08.07	■
D5 AWD (D 5244 T5)		Diesel	4WD	2401	120	163	07.02-08.07	■
D5 (D 5244 T4)		Diesel	FWD	2401	136	185	04.05-12.08	■
D5 AWD (D 5244 T4)		Diesel	4WD	2401	136	185	05.05-08.07	■
2.5 TDI (D 5252 T)		Diesel	FWD	2460	103	140	11.99-08.07	■
XC70 CROSS COUNTRY / V70 XC (295) 10.97-10.07							Estate (Executive car-E Segment)	
2.4		Gasolina	FWD	2435	121	165	03.00-09.03	■
2.4 T XC AWD (B 5254 T)		Gasolina	4WD	2435	142	193	11.97-09.02	■
2.4 T XC AWD (B 5244 T3)		Gasolina	4WD	2435	147	200	03.00-09.02	■
2.5 T XC AWD (B 5254 T2)		Gasolina	4WD	2521	154	209	09.02-08.07	■
D5 XC AWD (D 5244 T)		Diesel	4WD	2401	120	163	09.02-08.07	■
D5 AWD (D 5244 T4)		Diesel	4WD	2401	136	185	12.05-08.07	■