

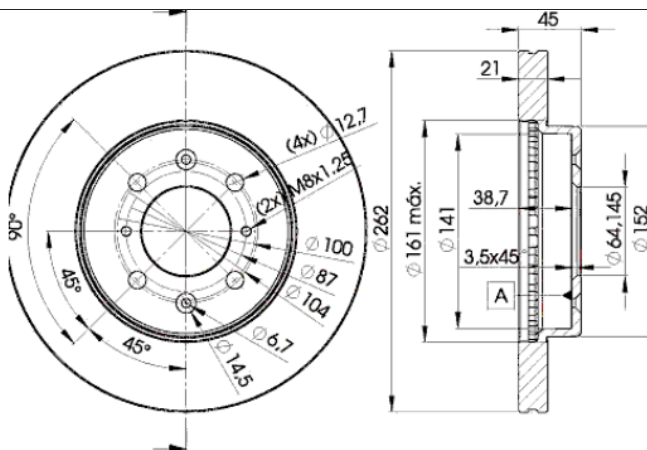
LISTA DE APLICACIONES - BUYERS GUIDE

78BD1700-2



Weight: 10.212

| O.E.M. | MAKE |
|---------------|-------|
| 45251-S5D-A10 | HONDA |
| 45251-S6D-E10 | HONDA |
| 45251-SK7-000 | HONDA |
| 45251-SK7-A00 | HONDA |
| 45251-SK7-A10 | HONDA |
| 45251-SK7-J00 | HONDA |
| 45251-SR0-A00 | HONDA |
| 45251-ST3-E10 | HONDA |
| GBD840 | ROVER |
| GBD90840 | LOTUS |
| SDB000990 | ROVER |
| SDB100600 | ROVER |



78BD1700-2

E1 90R-02C0452/0119



Ø262x21x44.6

| MAKE |
|-------|
| ACURA |
| HONDA |
| LOTUS |
| MG |
| ROVER |



| Trac. | CC | Kw | CV |
|-------|----|----|----|
|-------|----|----|----|



Front / Rear

ACURA

| | | | | | | Hatchback (Sport compact car-C Segment) | | |
|--------------------------------|--|----------|-----|------|-----|---|-------------|---|
| INTEGRA II 10.90-09.93 | | | | | | | | |
| 1.8 | | Gasolina | FWD | 1850 | 77 | 105 | 10.90-09.93 | ■ |
| INTEGRA III 10.93-09.01 | | | | | | Hatchback (Sport compact car-C Segment) | | |
| 1.8 LS | | Gasolina | FWD | 1797 | 125 | 170 | 10.93-09.01 | ■ |
| INTEGRA III 10.93-09.01 | | | | | | Saloon (Sport compact car-C Segment) | | |
| 1.8 LS | | Gasolina | FWD | 1797 | 125 | 170 | 10.93-09.01 | ■ |
| 1.8 GS-R | | Gasolina | FWD | 1797 | 147 | 200 | 10.93-09.01 | ■ |

HONDA

| | | | | | | Saloon (Supermini car-B Segment) | | |
|--|--|------------------|-----|------|----|----------------------------------|-------------|---|
| CITY V / BALADE (GM2, GM3) 09.08- | | | | | | | | |
| 1.5 | | Gasolina | FWD | 1497 | 79 | 107 | 09.08-11.13 | ■ |
| 1.5 i-VTEC (L15A7) | | Gasolina | FWD | 1497 | 85 | 114 | 08.09-11.13 | ■ |
| 1.5 i-VTEC (GM2) (L15A7) | | Gasolina | FWD | 1497 | 88 | 120 | 02.09-08.14 | ■ |
| 1.5 CNG (GM2) | | Gasol./Gas (CNG) | FWD | 1497 | 75 | 102 | 01.11-11.13 | ■ |
| iVtec CNG (GM2) | | Gasol./Gas (CNG) | FWD | 1497 | 75 | 102 | 01.11-11.13 | ■ |
| 1.5 Flex | | Gasol./Etanol | FWD | 1497 | 85 | 114 | 08.09-12.14 | ■ |
| CITY VI / BALLADE / GREIZ / GIENIA (GM4, GM5, GM6, GM9, GM7) 07.13- | | | | | | Saloon (Supermini car-B Segment) | | |
| 1.5 (GM6) | | Gasolina | FWD | 1496 | 97 | 132 | 06.15- | ■ |
| 1.5 4WD (GM9) | | Gasolina | 4WD | 1496 | 97 | 132 | 06.15- | ■ |
| 1.5 i-VTEC (GM6) | | Gasolina | FWD | 1497 | 86 | 117 | 09.14- | ■ |

LISTA DE APLICACIONES - BUYERS GUIDE

| | | | | | | | | | |
|--|---------------------|------------------|-----|------|-----|-----|--|---|--|
| 1.5 i-VTEC (GM6) (L15A7) | | Gasolina | FWD | 1497 | 88 | 119 | 01.14- | ■ | |
| 1.5 i-VTEC (GM6) (L15Z1) | | Gasolina | FWD | 1497 | 88 | 119 | 01.14- | ■ | |
| 1.5 CNG (GM6) | | Gasol./Gas (CNG) | FWD | 1497 | 75 | 102 | 01.14-10.19 | ■ | |
| 1.5 Flex (L15-A7) | | Gasol./Etanol | FWD | 1497 | 85 | 116 | 09.14-10.21 | ■ | |
| 1.5 Hybrid (GM4) | | Gasol./eléct. | FWD | 1496 | 81 | 110 | 12.14- | ■ | |
| 1.5 Hybrid (GM6) | | Gasol./eléct. | FWD | 1496 | 81 | 110 | 09.17- | ■ | |
| 1.5 Hybrid 4WD (GM5) | | Gasol./eléct. | 4WD | 1496 | 81 | 110 | 12.14- | ■ | |
| 1.5 i-DTEC (N15A1) | | Diesel | FWD | 1498 | 74 | 100 | 01.14- | ■ | |
| CITY VII / BALLADE (GN6, GN2) 11.20- | | | | | | | Hatchback (Supermini car-B Segment) | | |
| 1.5 1.5 DOHC i-VTEC (GN5) (L15B1) | | Gasolina | FWD | 1498 | 89 | 121 | 04.21- | ■ | |
| 1.5 DOHC i-VTEC (GN5) | | Gasolina | FWD | 1498 | 89 | 121 | 03.21- | ■ | |
| 1.0 Vtec Flexfuel (P10A6) | | Gasol./Etanol | FWD | 988 | 90 | 122 | 11.20- | ■ | |
| CITY VII / BALLADE (GN1, GN2, GN3) 12.19- | | | | | | | Saloon (Supermini car-B Segment) | | |
| i-VTEC (GN2, GN268REN) | | Gasolina | FWD | 1498 | 89 | 121 | 06.20- | ■ | |
| 1.0 Vtec Flexfuel (GN1) (P10A6) | | Gasol./Etanol | FWD | 988 | 90 | 122 | 12.19- | ■ | |
| CIVIC IV / BALLADE (EC, ED, EE, EF) 09.87-10.93 | | | | | | | Hatchback (Supermini car-B Segment) | | |
| 1.6 i 16V Vtec (EE9) (B16A1) | | Gasolina | FWD | 1595 | 110 | 150 | 10.89-09.91 | ■ | |
| CIVIC V (EJ) 08.93-03.96 | | | | | | | Coupe (Supermini car-B Segment) | | |
| 1.5 | | Gasolina | FWD | 1493 | 69 | 94 | 08.93-12.95 | ■ | |
| 1.5 i LSi (EJ2) (D15B7) | | Gasolina | FWD | 1493 | 74 | 101 | 08.93-11.95 | ■ | |
| 1.6 i (EJ6) | | Gasolina | FWD | 1590 | 77 | 105 | 01.94-11.95 | ■ | |
| 1.6 i Vtec (EJ1) (D16Y6) | | Gasolina | FWD | 1590 | 92 | 125 | 01.94-03.96 | ■ | |
| 1.6 i Vtec (EJ1) (D16Z9) | | Gasolina | FWD | 1590 | 92 | 125 | 01.94-03.96 | ■ | |
| 1.6 i Vtec | | Gasolina | FWD | 1595 | 118 | 160 | 01.94-11.95 | ■ | |
| CIVIC V (EG, EH) 10.91-11.95 | | | | | | | Hatchback (Supermini car-B Segment) | | |
| 1.6 VTi 16V (EG6) (B16A2) | | Gasolina | FWD | 1595 | 118 | 160 | 10.91-11.95 | ■ | |
| CIVIC V (EG, EH) 10.91-12.96 | | | | | | | Saloon (Supermini car-B Segment) | | |
| 1.5 (EG8) (D15B2) | | Gasolina | FWD | 1493 | 74 | 101 | 10.91-12.95 | ■ | |
| 1.5 (EG8) (D15B7) | | Gasolina | FWD | 1493 | 74 | 101 | 10.91-12.95 | ■ | |
| 1.5 (EG8) (D15Z1) | | Gasolina | FWD | 1493 | 74 | 101 | 10.91-12.95 | ■ | |
| 1.6 EX | | Gasolina | FWD | 1590 | 88 | 120 | 08.93-10.95 | ■ | |
| 1.6 16V Vtec (EH9, EH5) (D16Z6) | | Gasolina | FWD | 1590 | 92 | 125 | 10.91-11.95 | ■ | |
| 1.6 16V Vtec (EH9, EH5) (D16Z7) | | Gasolina | FWD | 1590 | 92 | 125 | 10.91-11.95 | ■ | |
| 1.6 4x4 (D16Z7) | | Gasolina | 4WD | 1590 | 92 | 125 | 01.92-10.95 | ■ | |
| 1.6 VTi (EG9) (B16A2) | | Gasolina | FWD | 1595 | 118 | 160 | 10.91-11.95 | ■ | |
| CIVIC VI (EJ, EM1) 03.96-12.00 | | | | | | | Coupe (Supermini car-B Segment) | | |
| 1.6 i (EJ6) (D16Y7) | Manual Transmission | Gasolina | FWD | 1590 | 77 | 105 | 03.96-03.00 | ■ | |
| 1.6 (EJ6) (D16Y7) | Manual Transmission | Gasolina | FWD | 1590 | 79 | 107 | 05.96-04.99 | ■ | |
| 1.6 i Vtec (EM1) (D16Y8) | Manual Transmission | Gasolina | FWD | 1590 | 92 | 125 | 03.96-03.00 | ■ | |
| 1.6 i Vtec (EM1) (B16A2) | | Gasolina | FWD | 1595 | 118 | 160 | 04.99-12.00 | ■ | |
| CIVIC VI (MA, MB) 09.94-02.01 | | | | | | | Hatchback (Supermini car-B Segment) | | |
| 1.4 i (MA8, MB2) (D14A5) | | Gasolina | FWD | 1396 | 55 | 75 | 09.95-02.01 | ■ | |
| 1.4 i (MA8, MB2) (D14A7) | | Gasolina | FWD | 1396 | 55 | 75 | 09.95-02.01 | ■ | |
| 1.4 i (MA8, MB2) (D14Z3) | | Gasolina | FWD | 1396 | 55 | 75 | 09.95-02.01 | ■ | |

LISTA DE APLICACIONES - BUYERS GUIDE

| | | | | | | | | |
|--|-------------------|------------------|-----|------|-----|-----|---|---|
| 1.4 i (MA8, MB2) (D14A2) | | Gasolina | FWD | 1396 | 66 | 90 | 06.95-02.01 | ■ |
| 1.4 i (MA8, MB2) (D14A6) | | Gasolina | FWD | 1396 | 66 | 90 | 06.95-02.01 | ■ |
| 1.4 i (MA8, MB2) (D14A8) | | Gasolina | FWD | 1396 | 66 | 90 | 06.95-02.01 | ■ |
| 1.4 i (MA8, MB2) (D14Z4) | | Gasolina | FWD | 1396 | 66 | 90 | 06.95-02.01 | ■ |
| 1.5 (D15Z3) | | Gasolina | FWD | 1493 | 66 | 90 | 11.95-12.96 | ■ |
| 1.5 i Vtec-E (MA9) (D15Z3) | | Gasolina | FWD | 1493 | 66 | 90 | 09.94-01.97 | ■ |
| 1.5 16V (MB3) (D15Z8) | | Gasolina | FWD | 1493 | 84 | 114 | 01.97-02.01 | ■ |
| 1.5 i (EK3) (D15Z6) | | Gasolina | FWD | 1493 | 84 | 114 | 11.95-02.01 | ■ |
| 1.6 (D16Y7) | | Gasolina | FWD | 1590 | 79 | 107 | 10.95-12.00 | ■ |
| 1.6 i (MB1) (D16Y3) | | Gasolina | FWD | 1590 | 83 | 113 | 09.94-01.97 | ■ |
| 1.6 i (EK1) (D16Y5) | | Gasolina | FWD | 1590 | 84 | 114 | 11.95-02.01 | ■ |
| 1.6 16V (MB4) (D16B2) | | Gasolina | FWD | 1590 | 85 | 116 | 01.97-02.01 | ■ |
| 1.6 | | Gasolina | FWD | 1590 | 88 | 120 | 10.95-09.00 | ■ |
| 1.6 (MB1) (D16Y2) | vehicles with ABS | Gasolina | FWD | 1590 | 93 | 126 | 10.95-03.01 | ■ |
| 1.6 i Vtec (MB1) (D16Y2) | | Gasolina | FWD | 1590 | 93 | 126 | 09.94-01.97 | ■ |
| 1.6 VTi (EK4) (B16A2) | | Gasolina | FWD | 1595 | 118 | 160 | 11.95-02.01 | ■ |
| 1.6 VTi (MB4) (B16A2) | | Gasolina | FWD | 1595 | 118 | 160 | 01.97-02.01 | ■ |
| 1.6 VTEC Type R | | Gasolina | FWD | 1595 | 136 | 185 | 08.97-09.00 | ■ |
| 1.4 LPG (D14Z4) | | Gasol./Gas (LPG) | FWD | 1396 | 66 | 90 | 01.97-02.01 | ■ |
| 2.0 i TD (MB7) (20T2R) | | Diesel | FWD | 1994 | 63 | 86 | 01.97-02.01 | ■ |
| 2.0 TDiC (MB7) (20T2N) | | Diesel | FWD | 1994 | 74 | 101 | 11.98-10.00 | ■ |
| 2.0 TDiC (20T2N) | | Diesel | FWD | 1994 | 77 | 105 | 11.98-10.00 | ■ |
| 2.0 TDiC (MB7) (20T2N) | | Diesel | FWD | 1994 | 77 | 105 | 11.98-10.00 | ■ |
| CIVIC VI / BALLADE (EJ, EK, SO) 06.95-03.01 | | | | | | | Saloon (Sport compact car-C Segment) | |
| 1.5 i (EK3) (D15Z4) | | Gasolina | FWD | 1493 | 84 | 114 | 11.95-02.01 | ■ |
| 1.5 i (EK3) (D15Z6) | | Gasolina | FWD | 1493 | 84 | 114 | 11.95-02.01 | ■ |
| 1.6 i Vtec (EK1, SO4) (D16Y6) | | Gasolina | FWD | 1590 | 92 | 125 | 11.95-02.01 | ■ |
| 1.6 i Vtec (EK1, SO4) (D16Y8) | | Gasolina | FWD | 1590 | 92 | 125 | 11.95-02.01 | ■ |
| 1.6 i Vtec 4x4 (D16Z7) | | Gasolina | 4WD | 1590 | 92 | 125 | 11.95-02.01 | ■ |
| 1.6 | | Gasolina | FWD | 1590 | 93 | 126 | 10.95-12.00 | ■ |
| 1.6 | | Gasolina | FWD | 1590 | 118 | 160 | 10.95-09.00 | ■ |
| 1.6 VTi (EK4, SO4) (B16A2) | | Gasolina | FWD | 1595 | 118 | 160 | 11.95-02.01 | ■ |
| 1.7 (EK9) | | Gasolina | FWD | 1668 | 92 | 125 | 11.97-03.01 | ■ |
| CIVIC VI Aerodeck (MB, MC) 04.98-02.01 | | | | | | | Estate (Supermini car-B Segment) | |
| 1.4 16V (MB8) (D14A7) | | Gasolina | FWD | 1396 | 55 | 75 | 04.98-02.01 | ■ |
| 1.4 16V (MB8) (D14A8) | | Gasolina | FWD | 1396 | 66 | 90 | 04.98-02.01 | ■ |
| 1.5 16V (MB9) (D15Z8) | | Gasolina | FWD | 1493 | 84 | 114 | 04.98-02.01 | ■ |
| 1.6 16V (MC1) (D16B2) | | Gasolina | FWD | 1590 | 85 | 116 | 04.98-02.01 | ■ |
| 1.6 16V (MC1) (D16W4) | | Gasolina | FWD | 1590 | 92 | 125 | 04.98-02.01 | ■ |
| 1.8 16V (MC2) (B18C4) | | Gasolina | FWD | 1797 | 124 | 169 | 04.98-02.01 | ■ |
| 2.0 i D (MC3) | | Diesel | FWD | 1994 | 74 | 101 | 04.98-02.01 | ■ |
| 2.0 i D (MC3) (20T2N) | | Diesel | FWD | 1994 | 77 | 105 | 04.98-02.01 | ■ |
| CIVIC VII (EM2) 02.01-12.05 | | | | | | | Coupe (Compact car-C Segment) | |
| 1.6 i (EM1) (D16V1) | | Gasolina | FWD | 1590 | 81 | 110 | 02.01-12.05 | ■ |
| 1.7 i (EM2) (D17A8) | | Gasolina | FWD | 1668 | 88 | 120 | 05.01-12.05 | ■ |
| 1.7 i VTEC (EM2) (D17A5) | | Gasolina | FWD | 1668 | 92 | 125 | 05.01-12.05 | ■ |
| 1.7 i VTEC (EM2) (D17A9) | | Gasolina | FWD | 1668 | 92 | 125 | 05.01-12.05 | ■ |
| CIVIC VII (EU, EP, EV) 01.00-02.06 | | | | | | | Hatchback (Compact car-C Segment) | |
| 1.4 i (EP1, EU7) (D14Z6) | | Gasolina | FWD | 1396 | 55 | 75 | 02.01-09.05 | ■ |

LISTA DE APLICACIONES - BUYERS GUIDE

| | | | | | | | | |
|---|--|-------------------|-----|---|-----|-----|-------------|---|
| 1.4 iS (EP1, EU5, EU7) (D14Z5) | | Gasolina | FWD | 1396 | 66 | 90 | 11.00-09.05 | ■ |
| 1.4 iS (EP1, EU5, EU7) (D14Z6) | | Gasolina | FWD | 1396 | 66 | 90 | 11.00-09.05 | ■ |
| 1.6 i (EP2, EU8, EU6) (D16V1) | | Gasolina | FWD | 1590 | 81 | 110 | 02.01-09.05 | ■ |
| 1.6 i (EP2, EU8, EU6) (D16W7) | | Gasolina | FWD | 1590 | 81 | 110 | 02.01-09.05 | ■ |
| 1.7 (ES1) | | Gasolina | FWD | 1668 | 92 | 125 | 01.00-08.05 | ■ |
| CIVIC VII (ES, ET) 10.00-04.06 | | | | Saloon (Compact car-C Segment) | | | | |
| 1.4 (ES4) (D14Z5) | | Gasolina | FWD | 1396 | 66 | 90 | 12.00-09.05 | ■ |
| 1.5 (ES8) (D15Y3) | | Gasolina | FWD | 1493 | 82 | 112 | 02.03-09.05 | ■ |
| 1.6 (ES5) (D16W7) | | Gasolina | FWD | 1590 | 81 | 110 | 02.01-09.05 | ■ |
| 1.7 (D17A6) | | Gasolina | FWD | 1668 | 85 | 116 | 02.01-09.05 | ■ |
| 1.7 (D17Z2) | | Gasolina | FWD | 1668 | 85 | 116 | 02.01-09.05 | ■ |
| 1.7 LX, LXL | | Gasolina | FWD | 1668 | 85 | 116 | 01.01-04.06 | ■ |
| 1.8 | | Gasolina | FWD | 1850 | 77 | 105 | 07.03-08.05 | ■ |
| 2.0 (ET1) (K20A3) | | Gasolina | FWD | 1998 | 118 | 160 | 10.03-09.05 | ■ |
| 1.3 IMA (ED9, ES9) (LDA1) | | Gasol./el éc. | FWD | 1339 | 61 | 83 | 10.03-09.05 | ■ |
| CRX II (ED, EE) 10.87-02.92 | | | | Coupe (Sports car-S Segment) | | | | |
| 1.6 i 16V Vtec (EE8) (B16A1) | | Gasolina | FWD | 1595 | 110 | 150 | 10.89-02.92 | ■ |
| CRX III (EH, EG) 03.92-12.98 | | | | Targa (Sports car-S Segment) | | | | |
| 1.5 (EG1) (D15B7) | | Gasolina | FWD | 1493 | 77 | 105 | 01.94-04.98 | ■ |
| 1.6 ESi (EH6) (D16Y8) | | Gasolina | FWD | 1590 | 92 | 125 | 03.92-12.98 | ■ |
| 1.6 ESi (EH6) (D16Z6) | | Gasolina | FWD | 1590 | 92 | 125 | 03.92-12.98 | ■ |
| 1.6 i VTi (EG2) (B16A2) | | Gasolina | FWD | 1595 | 118 | 160 | 03.92-12.98 | ■ |
| 1.6 i VTi (EG2) (B16A3) | | Gasolina | FWD | 1595 | 118 | 160 | 03.92-12.98 | ■ |
| DOMANI (MB_) 10.95-09.99 | | | | Saloon (Compact car-C Segment) | | | | |
| 1.6 A las 4 ruedas (MB5) (D16A) | | Gasolina | 4WD | 1590 | 88 | 120 | 10.95-09.99 | ■ |
| 1.6 A las 4 ruedas (MB5) (D16Z2) | | Gasolina | 4WD | 1590 | 88 | 120 | 10.95-09.99 | ■ |
| INSIGHT II (ZE_) 04.09- | | | | Hatchback (Supermini car-B Segment) | | | | |
| 1.3 IMA (ZE28, ZE2) (LDA3) | | Gasol./el éc. | FWD | 1339 | 65 | 88 | 04.09-12.13 | ■ |
| 1.3 IMA (ZE2) (LDA3) | | Gasol./el éc. | FWD | 1339 | 73 | 99 | 04.09-12.13 | ■ |
| 1.5 IMA (ZE3) | | Gasol./el éc. | FWD | 1497 | 82 | 112 | 10.11-12.15 | ■ |
| INTEGRA III (DC) 07.93-11.01 | | | | Coupe (Sport compact car-C Segment) | | | | |
| 1.5 (D15B) | | Gasolina | FWD | 1493 | 96 | 131 | 09.95-08.99 | ■ |
| 1.8 VTiR (DC2) | | Gasolina | FWD | 1797 | 125 | 170 | 07.93-11.99 | ■ |
| 1.8 VTiR (DC2) (B18C1) | | Gasolina | FWD | 1797 | 127 | 173 | 07.93-11.99 | ■ |
| 1.8 SiR (DC2) (B18C) | | Gasolina | FWD | 1797 | 132 | 180 | 09.93-08.01 | ■ |
| 1.8 (DC2) (B18B2) | | Gasolina | FWD | 1834 | 107 | 146 | 07.93-11.01 | ■ |
| INTEGRA II (DA5, DA6, DA7, DA8, DA9, DB1, DB2) 06.89-08.93 | | | | Saloon (Sport compact car-C Segment) | | | | |
| 1.6 (DA5) (ZC) | | Gasolina | FWD | 1590 | 88 | 120 | 06.89-07.93 | ■ |
| JAZZ II (GE_, GG_, GP_, ZA_) 10.07- | | | | Hatchback (Supermini car-B Segment) | | | | |
| 1.4 (L13Z1) | | Gasolina | FWD | 1339 | 74 | 101 | 11.08-12.15 | ■ |
| 1.5 i-VTEC (GE8) (L15A7) | | Gasolina | FWD | 1496 | 88 | 120 | 07.08-06.14 | ■ |
| 1.5 Flexfuel (GE8) | | Gasol./Et anol | FWD | 1496 | 88 | 120 | 07.08-03.14 | ■ |
| 1.5 Flex | | Gasol./Et anol | FWD | 1497 | 85 | 116 | 11.08-03.14 | ■ |
| 1.3 HYBRID (GP1) (LDA3) | | Gasol./el éc. | FWD | 1339 | 75 | 102 | 04.11-12.15 | ■ |

LISTA DE APLICACIONES - BUYERS GUIDE

| | | | | | | | | |
|---|-------------------|---------------|-----|------|--|-----|-------------|---|
| JAZZ II SHUTTLE (GG8, GG7, GP2) 03.11- | | | | | Estate (Supermini car-B Segment) | | | |
| 1.5 (GG7) (L15A) | | Gasolina | FWD | 1497 | 88 | 120 | 03.11-03.14 | ■ |
| 1.5 4WD (GG8) (L15A) | | Gasolina | 4WD | 1497 | 88 | 120 | 03.11-03.14 | ■ |
| JAZZ III (GK_) 09.13- | | | | | Hatchback (Supermini car-B Segment) | | | |
| 1.3 (L13B) | | Gasolina | FWD | 1318 | 75 | 102 | 09.15- | ■ |
| 1.3 (L13B2) | | Gasolina | FWD | 1318 | 75 | 102 | 09.15- | ■ |
| 1.5 (GK5) | | Gasolina | FWD | 1496 | 97 | 132 | 09.14- | ■ |
| 1.5 4WD (GK6) | | Gasolina | 4WD | 1496 | 97 | 132 | 12.13- | ■ |
| 1.5 (L15B3) | | Gasolina | FWD | 1498 | 96 | 130 | 09.17- | ■ |
| 1.5 i-VTEC Flex (L15Z2) | | Gasol./Etanol | FWD | 1497 | 88 | 120 | 09.14- | ■ |
| MOBILIO (GB_) 12.01-10.08 | | | | | MPV (Mini MPV-M1 Segment) | | | |
| 1.5 (GB1) | | Gasolina | FWD | 1497 | 66 | 90 | 12.01-10.08 | ■ |
| 1.5 4WD (GB2) | | Gasolina | 4WD | 1497 | 66 | 90 | 12.01-10.08 | ■ |
| 1.5 (GB1) | | Gasolina | FWD | 1497 | 81 | 110 | 12.01-10.08 | ■ |
| LOTUS | | | | | | | | |
| ELISE 08.95-01.01 | | | | | Convertible (Sports car-S Segment) | | | |
| 1.8 (18 K4F) | | Gasolina | RWD | 1796 | 88 | 120 | 08.95-11.00 | ■ |
| 111 S (18 K4K) | | Gasolina | RWD | 1796 | 107 | 146 | 03.99-11.00 | ■ |
| MG | | | | | | | | |
| EXPRESS 03.03-05.05 | | | | | Hatchback Van (LCVs-N1 Segment) | | | |
| 1.4 (14 K4F) | | Gasolina | FWD | 1396 | 76 | 103 | 03.03-05.05 | ■ |
| 1.8 (18 K4F) | | Gasolina | FWD | 1796 | 86 | 117 | 03.03-05.05 | ■ |
| 160 (18 K4K) | | Gasolina | FWD | 1796 | 118 | 160 | 03.03-05.05 | ■ |
| 2.0 TD (20 T2N) | | Diesel | FWD | 1994 | 74 | 101 | 03.03-05.05 | ■ |
| 2.0 TD (20 T2N) | | Diesel | FWD | 1994 | 83 | 113 | 03.03-05.05 | ■ |
| MG ZR 06.01-04.05 | | | | | Hatchback (Supermini car-B Segment) | | | |
| 105 (14 K4F) | | Gasolina | FWD | 1396 | 76 | 103 | 06.01-04.05 | ■ |
| 120 (18 K4F) | | Gasolina | FWD | 1796 | 86 | 117 | 06.01-04.05 | ■ |
| 2.0 TD (20 T2N) | | Diesel | FWD | 1994 | 74 | 100 | 06.01-04.05 | ■ |
| 2.0 TD (20 T2N) | | Diesel | FWD | 1994 | 83 | 113 | 12.02-04.05 | ■ |
| MG ZS 07.01-10.05 | | | | | Hatchback (Executive car-E Segment) | | | |
| 1.6 (16 K4F) | | Gasolina | FWD | 1590 | 82 | 111 | 11.01-10.05 | ■ |
| 120 (18 K4F) | | Gasolina | FWD | 1796 | 86 | 117 | 07.01-10.05 | ■ |
| 180 (25 K4F) | vehicles with ABS | Gasolina | FWD | 2497 | 130 | 177 | 07.01-10.05 | ■ |
| 2.0 TD (20 T2N) | | Diesel | FWD | 1994 | 74 | 101 | 01.04-10.05 | ■ |
| 2.0 TD (20 T2N) | | Diesel | FWD | 1994 | 83 | 113 | 01.04-10.05 | ■ |
| MG ZS 07.01-04.05 | | | | | Saloon (Executive car-E Segment) | | | |
| 1.6 (16 K4F) | | Gasolina | FWD | 1588 | 79 | 107 | 07.03-04.05 | ■ |
| 120 (18 K4F) | | Gasolina | FWD | 1796 | 86 | 117 | 07.01-04.05 | ■ |
| 180 (25 K4F) | | Gasolina | FWD | 2497 | 130 | 177 | 07.01-04.05 | ■ |
| 2.0 TD (20 T2N) | | Diesel | FWD | 1994 | 74 | 101 | 01.04-04.05 | ■ |
| 2.0 TD (20 T2N) | | Diesel | FWD | 1994 | 83 | 113 | 01.04-04.05 | ■ |
| ROVER | | | | | | | | |
| 200 II (XW) 04.90-11.99 | | | | | Convertible (Compact car-C Segment) | | | |
| 216 1.6i 16V (16 K4F) | -06/99 | Gasolina | FWD | 1588 | 82 | 111 | 01.96-11.99 | ■ |
| 216 1.6 (D 16 Z2) | | Gasolina | FWD | 1590 | 82 | 111 | 04.90-02.96 | ■ |

LISTA DE APLICACIONES - BUYERS GUIDE

| 200 II (XW) 10.92-06.99 | | | | | Coupe (Compact car-C Segment) | | | |
|-------------------------------------|---------------------------|----------|-----|------|--|-----|-------------|---|
| 216 (16 K4F) | | Gasolina | FWD | 1588 | 82 | 112 | 01.96-12.97 | ■ |
| 220 GSi (20 T4H) | vehicles with ABS | Gasolina | FWD | 1994 | 100 | 136 | 05.94-06.99 | ■ |
| 220TURBO (20 T4G) | vehicles with ABS | Gasolina | FWD | 1994 | 147 | 200 | 10.92-06.99 | ■ |
| 200 II (XW) 10.89-12.95 | | | | | Hatchback (Compact car-C Segment) | | | |
| 214 GSi/Si (14 K4F) | vehicles with ABS | Gasolina | FWD | 1396 | 76 | 103 | 12.92-10.95 | ■ |
| 216 GSi (D 16 Z2) | vehicles with ABS | Gasolina | FWD | 1590 | 82 | 112 | 01.90-12.95 | ■ |
| 200 III (RF) 11.95-11.00 | | | | | Hatchback (Compact car-C Segment) | | | |
| 214 i (14 K2F) | vehicles with ABS | Gasolina | FWD | 1396 | 55 | 75 | 11.95-03.00 | ■ |
| 1.4 (14 K4D) | vehicles with ABS | Gasolina | FWD | 1396 | 66 | 90 | 01.96-12.97 | ■ |
| 214 Si (14 K4F) | vehicles with ABS | Gasolina | FWD | 1396 | 76 | 103 | 11.95-03.00 | ■ |
| 216 Si (16 K4F) | vehicles with ABS | Gasolina | FWD | 1588 | 82 | 112 | 11.95-06.99 | ■ |
| 218 Si (18 K4F) | | Gasolina | FWD | 1796 | 88 | 120 | 08.99-03.00 | ■ |
| 218 K Vi (18 K4K) | | Gasolina | FWD | 1796 | 107 | 146 | 11.95-03.00 | ■ |
| 220 D/SD (20 T2R) | | Diesel | FWD | 1994 | 63 | 86 | 11.95-03.00 | ■ |
| 25 (RF) 09.99-06.06 | | | | | Hatchback (Compact car-C Segment) | | | |
| 1.1 | vehicles with ABS | Gasolina | FWD | 1120 | 44 | 60 | 11.99-05.05 | ■ |
| 1.1 (11 K4F) | vehicles with ABS | Gasolina | FWD | 1120 | 55 | 75 | 09.99-06.01 | ■ |
| 1.1 16V (11 K4F) | vehicles with ABS | Gasolina | FWD | 1120 | 55 | 75 | 01.04-05.05 | ■ |
| 1.4 16V (14 K4M) | | Gasolina | FWD | 1396 | 62 | 84 | 10.99-05.05 | ■ |
| 1.4 16V (14 K4F) | vehicles with ABS | Gasolina | FWD | 1396 | 76 | 103 | 10.99-05.05 | ■ |
| 1.6 16V (16 K4F) | vehicles with ABS | Gasolina | FWD | 1588 | 80 | 109 | 10.99-05.05 | ■ |
| 1.8 16V (18 K4F) | | Gasolina | FWD | 1796 | 85 | 116 | 10.99-05.05 | ■ |
| 1.8 16V (18 K4K) | | Gasolina | FWD | 1796 | 107 | 146 | 02.00-05.05 | ■ |
| 2.0 iDT (20 T2N) | vehicles with ABS | Diesel | FWD | 1994 | 74 | 101 | 10.99-05.05 | ■ |
| 2.0 iDT (20 T2N) | | Diesel | FWD | 1994 | 83 | 113 | 01.02-12.04 | ■ |
| 25 COMMERCE (RF) 01.03-12.05 | | | | | Hatchback Van (Compact car-C Segment) | | | |
| 1.4 (14 K4M) | | Gasolina | FWD | 1396 | 62 | 84 | 01.03-12.05 | ■ |
| 2.0 iDT (20 T2N) | | Diesel | FWD | 1994 | 74 | 101 | 01.03-12.05 | ■ |
| 400 III (RT) 05.95-03.00 | | | | | Hatchback (Compact car-C Segment) | | | |
| 414 (14 K2F) | 06/97-, vehicles with ABS | Gasolina | FWD | 1396 | 55 | 75 | 03.96-12.97 | ■ |
| 414 Si (14 K4F) | 06/97-, vehicles with ABS | Gasolina | FWD | 1396 | 76 | 103 | 05.95-03.00 | ■ |
| 416 Si (16 K4F) | 03/96-, -06/99 | Gasolina | FWD | 1588 | 82 | 112 | 05.95-03.00 | ■ |
| 416 Si (D16B2) | | Gasolina | FWD | 1590 | 85 | 116 | 06.95-03.00 | ■ |
| 420 Si Lux (20 T4H) | | Gasolina | FWD | 1994 | 100 | 136 | 12.95-03.00 | ■ |
| 420 D (20 T2R) | | Diesel | FWD | 1994 | 63 | 86 | 11.95-03.00 | ■ |
| 420 Di (20 T2N) | vehicles with ABS | Diesel | FWD | 1994 | 77 | 105 | 05.95-03.00 | ■ |
| 400 III (RT) 03.95-03.00 | | | | | Saloon (Compact car-C Segment) | | | |
| 414 (14 K2F) | vehicles with ABS | Gasolina | FWD | 1396 | 55 | 75 | 03.96-12.99 | ■ |
| 414 Si (14 K4F) | 06/97-, vehicles with ABS | Gasolina | FWD | 1396 | 76 | 103 | 05.95-03.00 | ■ |
| 416 Si (16 K4F) | 06/97-, vehicles with ABS | Gasolina | FWD | 1588 | 82 | 112 | 05.95-03.00 | ■ |
| 416 Si (D 16 Y3) | 06/97-, vehicles with ABS | Gasolina | FWD | 1590 | 83 | 113 | 03.95-06.99 | ■ |
| 416 Si (D16B2) | | Gasolina | FWD | 1590 | 85 | 116 | 05.95-03.00 | ■ |
| 420 Si Lux (20 T4H) | | Gasolina | FWD | 1994 | 100 | 136 | 12.95-03.00 | ■ |
| 420 D (20 T2R) | | Diesel | FWD | 1994 | 63 | 86 | 11.95-03.00 | ■ |
| 420 Di (20 T2N) | vehicles with ABS | Diesel | FWD | 1994 | 77 | 105 | 05.95-03.00 | ■ |

LISTA DE APLICACIONES - BUYERS GUIDE

| 400 I-II (XW) 04.90-04.95 | | | | | | Saloon (Compact car-C Segment) | | | |
|---|-------------------|----------|-----|------|-----|--|-------------|---|--|
| 416 GSI (D 16 Z2) | | Gasolina | FWD | 1590 | 82 | 112 | 04.90-04.95 | ■ | |
| 420 GSI/SLI/GTI/Vite (20 T4H) | | Gasolina | FWD | 1994 | 100 | 136 | 01.93-04.95 | ■ | |
| 420 GTI/GSI/Vitesse (20 M4F) | | Gasolina | FWD | 1994 | 103 | 140 | 02.92-04.95 | ■ | |
| 400 I-II Tourer (XW) 09.93-11.98 | | | | | | Estate (Compact car-C Segment) | | | |
| 1.8 i (18 K4K) | | Gasolina | FWD | 1796 | 107 | 146 | 06.96-11.98 | ■ | |
| 2.0 i (20 T4H) | | Gasolina | FWD | 1994 | 100 | 136 | 05.94-11.98 | ■ | |
| 1.8 TD (XUD 7TE) | | Diesel | FWD | 1769 | 65 | 88 | 09.93-11.98 | ■ | |
| 45 (RT) 02.00-05.05 | | | | | | Hatchback (Compact car-C Segment) | | | |
| 1.4 (14 K4F) | vehicles with ABS | Gasolina | FWD | 1396 | 76 | 103 | 02.00-05.05 | ■ | |
| 1.6 (16 K4F) | vehicles with ABS | Gasolina | FWD | 1588 | 80 | 109 | 02.00-05.05 | ■ | |
| 1.8 (18 K4F) | | Gasolina | FWD | 1796 | 86 | 117 | 02.00-05.05 | ■ | |
| 2.0 V6 (20 K4F) | | Gasolina | FWD | 1997 | 110 | 150 | 02.00-05.05 | ■ | |
| 2.0 iDT (20 T2N) | | Diesel | FWD | 1994 | 74 | 101 | 02.00-05.05 | ■ | |
| 2.0 iDT (20 T2N) | | Diesel | FWD | 1994 | 83 | 113 | 01.04-05.05 | ■ | |
| 45 (RT) 02.00-05.05 | | | | | | Saloon (Compact car-C Segment) | | | |
| 1.4 (14 K4F) | vehicles with ABS | Gasolina | FWD | 1396 | 76 | 103 | 02.00-05.05 | ■ | |
| 1.6 (16 K4F) | vehicles with ABS | Gasolina | FWD | 1588 | 80 | 109 | 02.00-05.05 | ■ | |
| 1.8 (18 K4F) | | Gasolina | FWD | 1796 | 86 | 117 | 02.00-05.05 | ■ | |
| 2.0 V6 (20 K4F) | | Gasolina | FWD | 1997 | 110 | 150 | 02.00-05.05 | ■ | |
| 2.0 iDT (20 T2N) | | Diesel | FWD | 1994 | 74 | 101 | 02.00-05.05 | ■ | |
| 2.0 iDT (20 T2N) | | Diesel | FWD | 1994 | 83 | 113 | 01.04-05.05 | ■ | |
| CDV (RF) 03.03-04.05 | | | | | | Hatchback Van (Compact car-C Segment) | | | |
| 2.0 iDT (20 T2N) | | Diesel | FWD | 1994 | 74 | 101 | 03.03-04.05 | ■ | |
| COUPE 03.96-11.99 | | | | | | Coupe (Compact car-C Segment) | | | |
| 1.6 16V (16 K4F) | -06/99 | Gasolina | FWD | 1588 | 82 | 111 | 03.96-11.99 | ■ | |
| 1.8 16V (18 K4K) | -06/99 | Gasolina | FWD | 1795 | 107 | 145 | 03.96-11.99 | ■ | |
| STREETWISE 08.03-05.05 | | | | | | Hatchback (Supermini car-B Segment) | | | |
| 1.4 (14 K4M) | | Gasolina | FWD | 1396 | 62 | 84 | 08.03-05.05 | ■ | |
| 1.4 (14 K4F) | | Gasolina | FWD | 1396 | 76 | 103 | 08.03-05.05 | ■ | |
| 1.6 (16 K4F) | | Gasolina | FWD | 1588 | 80 | 109 | 01.04-05.05 | ■ | |
| 1.8 (18 K4F) | | Gasolina | FWD | 1796 | 86 | 117 | 08.03-05.05 | ■ | |
| 2.0 TD (20 T2N) | | Diesel | FWD | 1994 | 74 | 101 | 08.03-05.05 | ■ | |