

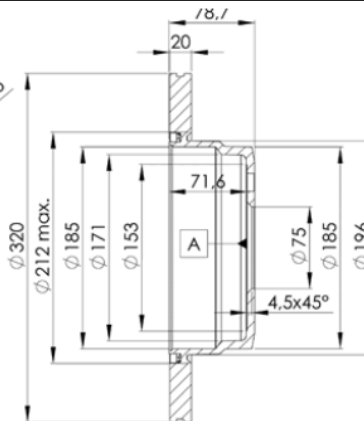
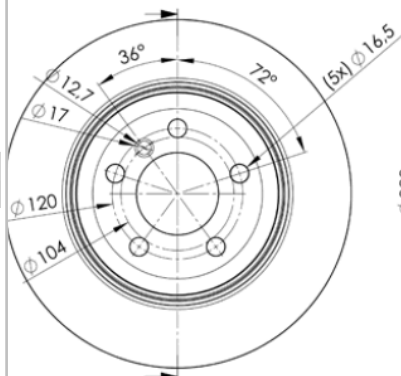
LISTA DE APLICACIONES - BUYERS GUIDE

78BD1970-2



Weight: 15.616

O.E.M.	MAKE
34 21 6 771 970	BMW



78BD1970-2



Ø320x20x78.7

MAKE
BMW



Trac.	CC	Kw	CV
-------	----	----	----



Front / Rear

BMW

				SUV (Luxury Crossover SUV-J Segment)				
X5 II (E70) 02.06-07.13								
xDrive 35 i (N55 B30 A)		Gasolina	4WD	2979	225	306	04.10-07.13	■
xDrive 40 i (N55 B30 A)		Gasolina	4WD	2979	225	306	01.12-06.13	■
xDrive 35 i (N55 B30 A)		Gasolina	4WD	2979	235	320	02.12-06.13	■
xDrive 30 i (N52 B30 A)		Gasolina	4WD	2996	172	234	02.07-12.12	■
xDrive 30 i (N52 B30 A)		Gasolina	4WD	2996	194	264	09.08-12.10	■
3.0 Si (N52 B30 A)		Gasolina	4WD	2996	200	272	10.06-09.08	■
3.0 Si (N52 B30 AF)		Gasolina	4WD	2996	200	272	10.06-09.08	■
3.0 Si (N52 B30 BF)		Gasolina	4WD	2996	200	272	10.06-09.08	■
xDrive 30 i (N52 B30 A)		Gasolina	4WD	2996	200	272	10.08-03.10	■
3.0 3.0d (M57 D30 (306D3))	Long Wheelbase	Diesel	4WD	2993	155	211	02.07-09.08	■
xDrive 30 d (M57 D30 (306D3))		Diesel	4WD	2993	155	211	10.08-07.13	■
xDrive 30 d (N57 D30 A)		Diesel	4WD	2993	155	211	10.08-07.13	■
3.0 D (M57 D30 (306D3))		Diesel	4WD	2993	173	235	12.06-09.08	■
xDrive 30 d (M57 D30 (306D3))		Diesel	4WD	2993	173	235	10.08-03.10	■
xDrive 30 d (N57 D30 A)		Diesel	4WD	2993	180	245	04.10-07.13	■
3.0 sd (M57 D30 (306D5))		Diesel	4WD	2993	210	286	10.07-09.08	■
xDrive 40 d (N57 D30 B)		Diesel	4WD	2993	225	306	09.10-06.13	■
X5 III (F15, F85) 08.13-07.18				SUV (Luxury Crossover SUV-J Segment)				
xDrive28i (N20 B20 A)		Gasolina	4WD	1997	180	245	06.15-07.18	■
sDrive 35 i (N55 B30 A)		Gasolina	RWD	2979	225	306	08.13-07.18	■
xDrive 40e (N20 B20 A)		Gasol./el éc.	4WD	1997	205	279	08.15-07.18	■

LISTA DE APLICACIONES - BUYERS GUIDE

xDrive 40e (N20 B20 A)		Gasol./el éc.	4WD	1997	230	313	08.15-07.18	■
sDrive 25 d (N47 D20 D)		Diesel	RWD	1995	155	211	12.13-07.18	■
xDrive 25 d (N47 D20 D)		Diesel	4WD	1995	155	211	12.13-07.18	■
sDrive 25 d (N47 D20 D)		Diesel	RWD	1995	160	218	12.13-07.15	■
xDrive 25 d (N47 D20 D)		Diesel	4WD	1995	160	218	12.13-07.15	■
sDrive 25 d (B47 D20 B)		Diesel	RWD	1995	170	231	08.15-07.18	■
xDrive 25 d (B47 D20 B)		Diesel	4WD	1995	170	231	08.15-07.18	■
xDrive 25 d (N57 D30 A)		Diesel	4WD	2993	160	218	04.14-07.18	■
xDrive 30 d (N57 D30 A)		Diesel	4WD	2993	183	249	12.13-07.18	■
xDrive 30 d (N57 D30 A)		Diesel	4WD	2993	190	258	08.13-07.18	■
xDrive 30 d (N57 D30 A)		Diesel	4WD	2993	204	277	08.13-07.18	■
xDrive 30 d (N57 D30 A)		Diesel	4WD	2993	210	286	08.13-07.18	■
X6 (E71, E72) 06.07-12.15					SUV (Luxury Crossover SUV-J Segment)			
xDrive 35 i (N54 B30 A)		Gasolina	4WD	2979	224	305	01.08-06.14	■
xDrive 35 i (N55 B30 A)		Gasolina	4WD	2979	224	305	01.08-06.14	■
xDrive 35 i (N54 B30 A)		Gasolina	4WD	2979	225	306	01.08-07.14	■
xDrive 35 i (N55 B30 A)		Gasolina	4WD	2979	225	306	01.08-07.14	■
xDrive 35 i (N55 B30 A)		Gasolina	4WD	2979	235	320	08.12-06.14	■
xDrive 35 i (N54 B30 A)		Gasolina	4WD	2979	240	326	06.07-03.10	■
xDrive 30 d (N57 D30 A)		Diesel	4WD	2993	155	211	04.10-07.14	■
30d		Diesel	RWD	2993	173	235	05.08-08.08	■
xDrive 30 d (M57 D30 (306D3))		Diesel	4WD	2993	173	235	04.08-03.10	■
xDrive 30 d (N57 D30 A)		Diesel	4WD	2993	180	245	04.10-07.14	■
xDrive 40 d (N57 D30 B)		Diesel	4WD	2993	225	306	07.09-06.14	■
X6 II (F16, F86) 08.14-					SUV (Luxury Crossover SUV-J Segment)			
xDrive28i (N20 B20 A)		Gasolina	4WD	1997	180	245	06.15-07.19	■
xDrive 35 i (N55 B30 A)		Gasolina	4WD	2979	225	306	08.14-07.19	■
xDrive 35 i (N55 B30 A)		Gasolina	4WD	2979	240	326	08.14-07.19	■
xDrive 30 d (N57 D30 A)		Diesel	4WD	2993	155	211	08.14-07.19	■
xDrive 30 d (N57 D30 A)		Diesel	4WD	2993	183	249	12.14-07.19	■
xDrive 30 d (N57 D30 A)		Diesel	4WD	2993	190	258	08.14-07.19	■
xDrive 30 d (N57 D30 A)		Diesel	4WD	2993	204	277	08.14-07.19	■