

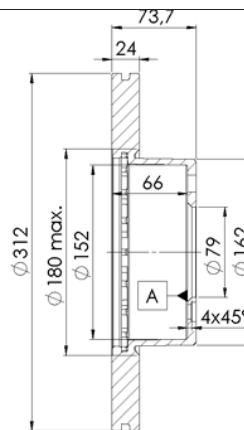
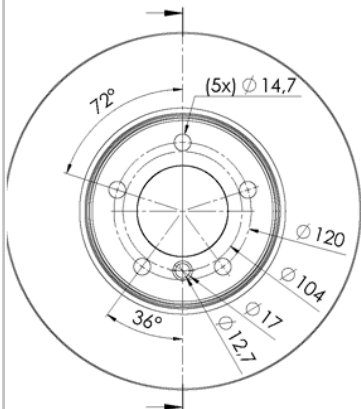
LISTA DE APLICACIONES - BUYERS GUIDE

78BD1972-2



Weight: 18.336

O.E.M.	MAKE
34 11 6 774 875	BMW
34 11 6 792 219	BMW
34 11 6 855 006	BMW



78BD1972-2



Ø312x24x73.5

MAKE
BMW



Trac.	CC	Kw	CV
-------	----	----	----



Front / Rear

BMW

								Hatchback (Compact car-C Segment)	
1 Serie II (F20) 07.11-06.19									
125 i (N20 B20 A)	not M technique, not Performance brak	Gasolina	RWD	1997	160	218	03.12-11.17	■	
125 i (N20 B20 A)	not M technique, not Performance brak	Gasolina	RWD	1997	160	218	12.11-12.19	■	
125 i (N20 B20 A)		Gasolina	RWD	1997	175	238	03.12-11.17	■	
125 i (B48 B20 B)	not M technique, not Performance brak	Gasolina	RWD	1998	165	224	07.16-06.19	■	
125 i (B48 B20 B)	not M technique, not Performance brak	Gasolina	RWD	1998	165	224	10.15-06.19	■	
125 i Active Flex (N20 B20 A)	not M technique, not Performance brak	Gasol./Et anol	RWD	1997	160	218	11.14-11.17	■	
125 d (B47 D20 B)	not M technique, not Performance brak	Diesel	RWD	1995	155	211	03.12-06.19	■	
125 d (N47 D20 D)	not M technique, not Performance brak	Diesel	RWD	1995	155	211	03.12-06.19	■	
125 d (N47 D20 D)	not M technique, not Performance brak	Diesel	RWD	1995	155	211	12.11-05.19	■	
125 d (N47 D20 D)	not M technique, not Performance brak	Diesel	RWD	1995	160	218	03.12-02.15	■	
125 d (N47 D20 D)	not M technique, not Performance brak	Diesel	RWD	1995	160	218	12.11-02.15	■	
2 Serie (F23) 03.14-								Convertible (Compact car-C Segment)	
220 i (B48 B20 A)	not M technique, not Performance brak	Gasolina	RWD	1998	135	184	09.15-06.21	■	
230 i (B46 B20 B)	not M technique, not Performance brak	Gasolina	RWD	1998	185	252	07.16-06.21	■	
230 i (B48 B20 B)	not M technique, not Performance brak	Gasolina	RWD	1998	185	252	07.16-06.21	■	
230 i	not M technique, not Performance brak	Gasolina	FWD	1998	185	252	09.16-	■	

LISTA DE APLICACIONES - BUYERS GUIDE

220 d		Diesel	RWD	1995	151	205	03.14-09.20	■	
2 Serie (F22, F87) 10.12-					Coupe (Compact car-C Segment)				
220 i (B48 B20 A)	not M technique, not Performance brak	Gasolina	RWD	1998	135	184	09.15-06.21	■	
225 i		Gasolina	RWD	1998	135	184	10.17-06.21	■	
230 i (B46 B20 B)	not M technique, not Performance brak	Gasolina	RWD	1998	185	252	07.16-06.21	■	
230 i (B48 B20 B)	not M technique, not Performance brak	Gasolina	RWD	1998	185	252	07.16-06.21	■	
230 i	not M technique, not Performance brak	Gasolina	FWD	1998	185	252	09.16-	■	
220 d		Diesel	RWD	1995	151	205	03.14-09.20	■	
220 d xDrive		Diesel	4WD	1995	151	205	06.14-09.20	■	
3 Serie V (E93) 05.06-12.13					Convertible (Compact executive car-D Segment)				
320i	not M technique	Gasolina	RWD	1995	110	149	01.07-08.13	■	
320i (N46 B20 B)	not M technique	Gasolina	RWD	1995	115	156	01.07-08.13	■	
320i (N43 B20 A)	not M technique	Gasolina	RWD	1995	125	170	03.07-10.13	■	
323 i (N52 B25 A)		Gasolina	RWD	2497	140	190	03.07-09.11	■	
320 d (N47 D20 C)		Diesel	RWD	1995	120	163	01.08-12.13	■	
320 d (N47 D20 A)	not M technique	Diesel	RWD	1995	130	177	03.08-02.10	■	
320 d (N47 D20 C)	not M technique	Diesel	RWD	1995	130	177	03.08-02.10	■	
320 d (N47 D20 C)	not M technique	Diesel	RWD	1995	135	184	03.10-10.13	■	
320 d (N47 D20 A)		Diesel	RWD	1995	145	197	09.07-02.10	■	
320 d (N47 D20 C)		Diesel	RWD	1995	145	197	09.07-02.10	■	
320 d (N47 D20 C)		Diesel	RWD	1995	147	200	03.10-10.13	■	
3 Serie V (E92) 01.05-12.13					Coupe (Compact executive car-D Segment)				
325i (N52 B25 A)		Gasolina	RWD	2497	150	204	03.10-10.13	■	
325i (N52 B25 AF)		Gasolina	RWD	2497	150	204	03.10-10.13	■	
325i (N52 B25 BF)		Gasolina	RWD	2497	150	204	03.10-10.13	■	
325 i xDrive (N52 B25 A)		Gasolina	4WD	2497	150	204	03.10-04.13	■	
325 i xDrive (N52 B25 AF)		Gasolina	4WD	2497	155	211	03.10-04.13	■	
325i (N52 B25 A)	not M technique	Gasolina	RWD	2497	160	218	06.06-02.10	■	
325i (N52 B25 AF)	not M technique	Gasolina	RWD	2497	160	218	06.06-02.10	■	
325i (N52 B25 BF)	not M technique	Gasolina	RWD	2497	160	218	06.06-02.10	■	
328 i xDrive (N51 B30 A)		Gasolina	4WD	2996	172	234	09.08-06.13	■	
328 i xDrive (N52 B30 A)		Gasolina	4WD	2996	172	234	09.08-06.13	■	
320 d xDrive (N47 D20 C)		Diesel	4WD	1995	120	163	09.08-06.13	■	
320 d (N47 D20 A)	not M technique	Diesel	RWD	1995	130	177	09.06-02.10	■	
320 d (N47 D20 C)	not M technique	Diesel	RWD	1995	130	177	09.06-02.10	■	
320 d xDrive (N47 D20 C)		Diesel	4WD	1995	130	177	09.08-02.10	■	
320 xd		Diesel	4WD	1995	130	177	09.08-02.10	■	
320 d (N47 D20 C)	not M technique	Diesel	RWD	1995	135	184	03.10-06.13	■	
320 d xDrive (N47 D20 C)		Diesel	4WD	1995	135	184	03.10-06.13	■	
320 d xDrive (N47 D20 C)		Diesel	4WD	1995	145	197	09.08-02.10	■	
320 d xDrive (N47 D20 C)		Diesel	4WD	1995	147	200	03.10-06.13	■	
3 Serie V (E90) 02.04-12.13					Saloon (Compact executive car-D Segment)				
320i (N43 B20 A)	not M technique, increased payload	Gasolina	RWD	1995	120	163	03.07-12.11	■	
320i (N43 B20 A)	not M technique, increased payload	Gasolina	RWD	1995	125	170	09.07-10.11	■	
325 xi (N52 B25 A)	not increas.payload	Gasolina	4WD	2497	160	218	09.05-08.08	■	
325 i xDrive (N53 B30 A)		Gasolina	4WD	2996	155	211	09.08-10.11	■	

LISTA DE APLICACIONES - BUYERS GUIDE

325i (N53 B30 A)	not M technique, increased payload	Gasolina	RWD	2996	160	218	03.07-12.11	■	
325 i xDrive (N53 B30 A)	not increas.payload	Gasolina	4WD	2996	160	218	09.08-10.11	■	
325 xi (N53 B30 A)	not increas.payload	Gasolina	4WD	2996	160	218	09.07-08.08	■	
320 d xDrive (N47 D20 C)	not government vehic	Diesel	4WD	1995	120	163	09.08-10.11	■	
320 d (N47 D20 A)	not government vehic, not M technique	Diesel	RWD	1995	130	177	09.07-02.10	■	
320 d (N47 D20 C)	not government vehic, not M technique	Diesel	RWD	1995	130	177	09.07-02.10	■	
320 d xDrive (N47 D20 A)	not government vehic	Diesel	4WD	1995	130	177	09.08-02.10	■	
320 d xDrive (N47 D20 C)	not government vehic	Diesel	4WD	1995	130	177	09.08-02.10	■	
320 xd	not government vehic	Diesel	4WD	1995	130	177	09.07-12.11	■	
320 d (N47 D20 C)	not government vehic, not M technique	Diesel	RWD	1995	135	184	03.10-10.11	■	
320 d xDrive (N47 D20 C)	not government vehic	Diesel	4WD	1995	135	184	03.10-10.11	■	
3 Serie V Touring (E91) 12.04-12.12					Estate (Compact executive car-D Segment)				
318i (N43 B20 A)	02/08-, not M technique, not increas.payload	Gasolina	RWD	1995	105	143	05.07-05.12	■	
320i (N46 B20 B)		Gasolina	RWD	1995	115	156	09.05-06.12	■	
320i (N46 B20 BD)		Gasolina	RWD	1995	115	156	09.05-06.12	■	
320i (N46 B20 C)		Gasolina	RWD	1995	115	156	09.05-06.12	■	
320i (N43 B20 A)		Gasolina	RWD	1995	120	163	02.07-05.12	■	
320i (N43 B20 A)	not M technique	Gasolina	RWD	1995	125	170	02.07-12.12	■	
325 xi (N52 B25 A)	not increas.payload	Gasolina	4WD	2497	160	218	08.05-08.08	■	
325i (N53 B30 A)	not M technique, not increas.payload	Gasolina	RWD	2996	155	211	09.07-06.12	■	
325i (N53 B30 A)	not M technique, not increas.payload	Gasolina	RWD	2996	160	218	09.07-06.12	■	
318 d (N47 D20 A)	not M technique	Diesel	RWD	1995	100	136	07.07-06.12	■	
318 d (N47 D20 C)	not M technique	Diesel	RWD	1995	100	136	07.07-06.12	■	
318 d (N47 D20 A)	not M technique	Diesel	RWD	1995	105	143	09.07-06.12	■	
318 d (N47 D20 C)	not M technique	Diesel	RWD	1995	105	143	09.07-06.12	■	
320 d xDrive (N47 D20 C)	not government vehic	Diesel	4WD	1995	120	163	07.09-06.12	■	
320 d (N47 D20 A)	not government vehic, not M technique	Diesel	RWD	1995	130	177	02.07-12.10	■	
320 d (N47 D20 C)	not government vehic, not M technique	Diesel	RWD	1995	130	177	02.07-12.10	■	
320 d xDrive (N47 D20 C)	not government vehic	Diesel	4WD	1995	130	177	09.08-02.10	■	
320 xd	not government vehic	Diesel	RWD	1995	130	177	02.08-02.10	■	
320 d (N47 D20 C)	not government vehic, not M technique	Diesel	RWD	1995	135	184	03.10-05.12	■	
320 d xDrive (N47 D20 C)	not government vehic	Diesel	4WD	1995	135	184	03.10-06.12	■	
320 d (N47 D20 A)		Diesel	RWD	1995	145	197	02.07-02.10	■	
320 d (N47 D20 C)		Diesel	RWD	1995	145	197	02.07-02.10	■	
320 d xDrive (N47 D20 C)		Diesel	4WD	1995	145	197	02.08-02.10	■	
320 d xDrive (N47 D20 C)		Diesel	4WD	1995	147	200	03.10-05.12	■	
3 Serie VI (U.S.A.) 09.11-					Saloon (Compact executive car-D Segment)				
320i (N13 B16 A)	with cruise control, not Performance brak	Gasolina	RWD	1598	125	170	11.12-06.16	■	
320i	with cruise control, not M technique, not Performance brak	Gasolina	FWD	1997	134	182	09.12-	■	
320i	with cruise control, not M technique, not Performance brak	Gasolina	RWD	1997	134	182	03.12-10.18	■	
320 i xDrive (N20 B20 A)	not M technique, Japan	Gasolina	4WD	1997	135	184	07.12-10.18	■	
320 i xDrive (N20 B20 B)	not M technique, Japan	Gasolina	4WD	1997	135	184	07.12-10.18	■	
320 d (N47 D20 C)	not M technique, not Performance brak	Diesel	RWD	1995	135	184	11.11-03.16	■	

LISTA DE APLICACIONES - BUYERS GUIDE

320 d xDrive (N47 D20 C)	not M technique, not Performance brak	Diesel	4WD	1995	135	184	08.12-06.15	■
3 Serie VI GRAN TURISMO (F34) 07.12-					Hatchback (Compact executive car-D Segment)			
320 d (N47 D20 C)	not M technique, not Performance brak	Diesel	RWD	1995	135	184	03.13-06.15	■
3 Serie VI Touring (F31) 07.12-06.19					Estate (Compact executive car-D Segment)			
320i (N20 B20 B)	with cruise control, not M technique, not Performance brak	Gasolina	RWD	1997	135	184	11.12-06.15	■
320 i xDrive (N20 B20 B)	with cruise control, not M technique, not Performance brak	Gasolina	4WD	1997	135	184	03.13-06.15	■
320 d (N47 D20 C)	not M technique	Diesel	RWD	1995	135	184	07.12-02.16	■
320 d xDrive (N47 D20 C)	not M technique, not Performance brak	Diesel	4WD	1995	135	184	03.13-06.15	■
3 Serie VI Touring Van (F31) 07.12-06.19					Estate Van (Compact executive car-D Segment)			
340 i (B58 B30 A)		Gasolina	RWD	2998	240	326	07.15-06.19	■
4 Serie (F33, F83) 10.13-					Convertible (Compact executive car-D Segment)			
420 D		Diesel	RWD	1995	151	205	07.15-07.20	■
4 Serie (F32, F82) 07.13-					Coupe (Compact executive car-D Segment)			
420 D (N47 D20 C)	not M technique	Diesel	RWD	1995	135	184	07.13-02.15	■
420 D (B47 D20 A)	not M technique	Diesel	RWD	1995	140	190	03.15-06.20	■
420 d xDrive (B47 D20 A)	not M technique	Diesel	4WD	1995	140	190	03.15-06.20	■
420 D (N47 D20 C)	not M technique	Diesel	RWD	1995	147	200	07.13-03.15	■
420 d xDrive (N47 D20 C)	not M technique	Diesel	4WD	1995	147	200	11.13-03.15	■
X1 (E84) 03.09-06.15					SUV (Compact SUV-J Segment)			
sDrive 16i (N20 B16 A)		Gasolina	RWD	1592	105	143	03.13-06.15	■
sDrive18i (N46 B20 B)		Gasolina	RWD	1995	100	136	03.10-06.15	■
sDrive18i (N46 B20 BD)		Gasolina	RWD	1995	100	136	03.10-06.15	■
sDrive18i (N46 B20 B)		Gasolina	RWD	1995	110	150	03.10-06.15	■
sDrive18i (N46 B20 BD)		Gasolina	RWD	1995	110	150	03.10-06.15	■
sDrive18i (N46 B20 C)		Gasolina	RWD	1995	110	150	03.10-06.15	■
sDrive18i (N46 B20 CC)		Gasolina	RWD	1995	110	150	03.10-06.15	■
sDrive18i (N46 B20 CD)		Gasolina	RWD	1995	110	150	03.10-06.15	■
sDrive18i (N46 B20 E)		Gasolina	RWD	1995	110	150	03.10-06.15	■
sDrive20i (N20 B20 A)		Gasolina	RWD	1997	135	184	09.11-06.15	■
xDrive20i (N20 B20 A)		Gasolina	4WD	1997	135	184	09.11-06.15	■
sDrive28i (N20 B20 A)		Gasolina	RWD	1997	180	245	09.12-06.15	■
xDrive 28 i Flex (N20 B20 A)		Gasol./Etanol	4WD	1997	180	245	04.11-06.15	■
sDrive 16 d (N47 D20 C)		Diesel	RWD	1995	85	116	04.12-06.15	■
sDrive 18 d (N47 D20 C)		Diesel	RWD	1995	105	143	12.09-06.15	■
xDrive 18 d (N47 D20 C)		Diesel	4WD	1995	105	143	10.09-06.15	■
sDrive 20 d (N47 D20 C)		Diesel	RWD	1995	130	177	10.09-06.15	■
xDrive 20 d (N47 D20 C)		Diesel	4WD	1995	130	177	09.09-06.12	■
sDrive 20 d (N47 D20 C)		Diesel	RWD	1995	135	184	07.12-06.15	■
xDrive 20 d (N47 D20 C)		Diesel	4WD	1995	135	184	07.12-06.15	■
xDrive 25 d (N47 D20 D)	03/12-	Diesel	4WD	1995	160	218	10.09-06.15	■