

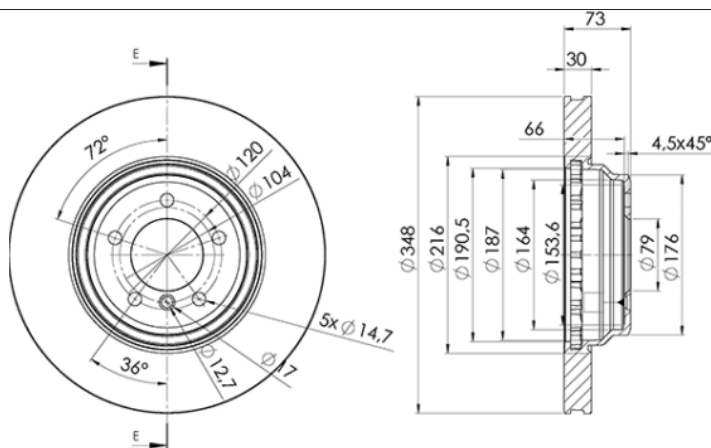
LISTA DE APLICACIONES - BUYERS GUIDE

78BD1973-2



Weight: 22.452

O.E.M.	MAKE
34 11 6 770 729	BMW
34 11 6 855 000	BMW
6770729	BMW
6855000	BMW



78BD1973-2

E1 90R-02C0452/0091



Ø348x30x73

MAKE

BMW



Trac.	CC	Kw	CV
-------	----	----	----



Front / Rear

BMW

						Convertible (Compact executive car-D Segment)				
3 Serie V (E93) 05.06-12.13										
335 i (N54 B30 A)		Gasolina	RWD	2979	225	306	12.06-10.13	■		
335 i (N55 B30 A)		Gasolina	RWD	2979	225	306	12.06-10.13	■		
335 i (N54 B30 A)		Gasolina	RWD	2979	240	326	05.06-10.13	■		
335 i (N55 B30 A)		Gasolina	RWD	2979	240	326	05.06-10.13	■		
330i (N52 B30 A)	not sports package	Gasolina	RWD	2996	190	258	03.10-10.13	■		
330i (N52 B30 AF)	not sports package	Gasolina	RWD	2996	190	258	03.10-10.13	■		
330i (N53 B30 A)	M technique, increased payload -09/09, not increas.payload	Gasolina	RWD	2996	200	272	03.07-10.13	■		
330i (N52 B30 A)		Gasolina	RWD	2996	200	272	03.07-02.10	■		
330 d (M57 D30 (306D3))	M technique, increased payload -09/09, not increas.payload	Diesel	RWD	2993	170	231	03.07-12.13	■		
330 d (N57 D30 A)	not M technique, increased payload -09/09, not increas.payload	Diesel	RWD	2993	180	245	01.09-09.13	■		
3 Serie V (E92) 01.05-12.13						Coupe (Compact executive car-D Segment)				
335 i		Gasolina	RWD	2979	224	305	03.07-06.13	■		
335 i xDrive (N54 B30 A)		Gasolina	4WD	2979	224	305	01.09-06.13	■		
335 i (N54 B30 A)		Gasolina	RWD	2979	225	306	06.06-06.13	■		
335 i (N55 B30 A)		Gasolina	RWD	2979	225	306	06.06-06.13	■		
335 i xDrive (N54 B30 A)		Gasolina	4WD	2979	225	306	11.08-12.13	■		
335 i xDrive (N55 B30 A)		Gasolina	4WD	2979	225	306	11.08-12.13	■		
335 xi (N54 B30 A)		Gasolina	4WD	2979	225	306	03.07-02.10	■		
335 xi (N55 B30 A)		Gasolina	4WD	2979	225	306	03.07-02.10	■		

LISTA DE APLICACIONES - BUYERS GUIDE

335 i (N54 B30 A)		Gasolina	RWD	2979	240	326	06.06-06.13	■	
335 i (N55 B30 A)		Gasolina	RWD	2979	240	326	06.06-06.13	■	
335 i xDrive (N55 B30 A)		Gasolina	4WD	2979	240	326	11.08-06.13	■	
335 xi (N54 B30 A)		Gasolina	4WD	2979	240	326	03.07-02.10	■	
330i (N52 B30 A)	-09/09, not M technique	Gasolina	RWD	2996	200	272	09.06-02.10	■	
330i (N52 B30 AF)	-09/09, not M technique	Gasolina	RWD	2996	200	272	09.06-02.10	■	
330i (N52 B30 BF)	-09/09, not M technique	Gasolina	RWD	2996	200	272	09.06-02.10	■	
330i (N53 B30 A)		Gasolina	RWD	2996	200	272	09.07-06.13	■	
330 xi (N52 B30 A)		Gasolina	4WD	2996	200	272	09.06-08.07	■	
325 d (N57 D30 A)	government vehicles	Diesel	RWD	2993	150	204	09.09-06.13	■	
330 d (M57 D30 (306D3))	not M technique	Diesel	RWD	2993	170	231	03.06-08.08	■	
330 xd (M57 D30 (306D3))		Diesel	4WD	2993	170	231	03.06-08.08	■	
330 d (N57 D30 A)	not M technique	Diesel	RWD	2993	180	245	01.09-06.13	■	
330 d xDrive (N57 D30 A)		Diesel	4WD	2993	180	245	02.10-06.13	■	
330 xd (N57 D30 A)		Diesel	4WD	2993	180	245	03.08-02.10	■	
335 d (M57 D30 (306D5))		Diesel	RWD	2993	210	286	03.06-03.13	■	
3 Serie V (E90) 02.04-12.13							Saloon (Compact executive car-D Segment)		
335 i (N54 B30 A)		Gasolina	RWD	2979	220	299	03.06-12.11	■	
335 i (N55 B30 A)		Gasolina	RWD	2979	220	299	03.06-12.11	■	
335 i (N54 B30 A)		Gasolina	RWD	2979	224	305	03.06-12.11	■	
335 i xDrive		Gasolina	4WD	2979	224	305	05.08-10.11	■	
335 i (N54 B30 A)		Gasolina	RWD	2979	225	306	09.06-12.11	■	
335 i (N55 B30 A)		Gasolina	RWD	2979	225	306	09.06-12.11	■	
335 i xDrive (N54 B30 A)		Gasolina	4WD	2979	225	306	09.08-10.11	■	
335 i xDrive (N55 B30 A)		Gasolina	4WD	2979	225	306	09.08-10.11	■	
335 xi (N54 B30 A)		Gasolina	4WD	2979	225	306	03.07-08.08	■	
335 i (N54 B30 A)		Gasolina	RWD	2979	240	326	03.06-12.11	■	
335 i (N55 B30 A)		Gasolina	RWD	2979	240	326	03.06-12.11	■	
335 i xDrive (N54 B30 A)		Gasolina	4WD	2979	240	326	05.08-10.11	■	
335 i xDrive (N55 B30 A)		Gasolina	4WD	2979	240	326	05.08-10.11	■	
335 xi (N54 B30 A)		Gasolina	4WD	2979	240	326	09.06-06.08	■	
330i (N52 B30 A)	increased payload	Gasolina	RWD	2996	190	258	12.04-10.11	■	
330i (N52 B30 BF)	increased payload	Gasolina	RWD	2996	190	258	12.04-10.11	■	
330 xi (N52 B30 A)	increased payload not increas.payload	Gasolina	4WD	2996	190	258	09.05-08.07	■	
330i (N53 B30 A)	government vehicles	Gasolina	RWD	2996	200	272	09.07-10.11	■	
330 i xDrive (N53 B30 A)	government vehicles, increased payload -09/09, not increas.payload	Gasolina	4WD	2996	200	272	09.08-10.11	■	
330 xi (N53 B30 A)	government vehicles, increased payload not increas.payload	Gasolina	4WD	2996	200	272	09.07-08.08	■	
325 d (M57 D30 (306D3))	government vehicles, not M technique	Diesel	RWD	2993	145	197	09.06-02.10	■	
325 d (N57 D30 A)	not M technique, government vehicles	Diesel	RWD	2993	150	204	03.10-10.11	■	
330 d (M57 D30 (306D3))		Diesel	RWD	2993	155	211	09.05-12.11	■	
330 d (N57 D30 A)		Diesel	RWD	2993	155	211	09.05-12.11	■	
330 d (M57 D30 (306D3))	09/07-	Diesel	RWD	2993	170	231	09.05-09.08	■	
330 xd (M57 D30 (306D3))	increased payload not increas.payload	Diesel	4WD	2993	170	231	09.05-08.08	■	
330 d (N57 D30 A)	increased payload -09/09, not increas.payload	Diesel	RWD	2993	180	245	09.08-10.11	■	
330 d xDrive (N57 D30 A)	increased payload -09/09, not increas.payload	Diesel	4WD	2993	180	245	09.08-10.11	■	
335 d (M57 D30 (306D5))		Diesel	RWD	2993	210	286	09.06-12.11	■	

LISTA DE APLICACIONES - BUYERS GUIDE

3 Serie V Touring (E91) 12.04-12.12					Estate (Compact executive car-D Segment)			
335 i (N54 B30 A)		Gasolina	RWD	2979	225	306	09.06-06.12	■
335 i (N55 B30 A)		Gasolina	RWD	2979	225	306	09.06-06.12	■
335 i xDrive (N54 B30 A)		Gasolina	4WD	2979	225	306	09.08-06.12	■
335 i xDrive (N55 B30 A)		Gasolina	4WD	2979	225	306	09.08-06.12	■
335 xi (N54 B30 A)		Gasolina	4WD	2979	225	306	03.07-08.08	■
335 xi (N55 B30 A)		Gasolina	4WD	2979	225	306	03.07-08.08	■
335 i (N54 B30 A)		Gasolina	RWD	2979	240	326	09.06-06.12	■
335 i (N55 B30 A)		Gasolina	RWD	2979	240	326	09.06-06.12	■
335 i xDrive (N54 B30 A)		Gasolina	4WD	2979	240	326	09.08-06.12	■
335 i xDrive (N55 B30 A)		Gasolina	4WD	2979	240	326	09.08-06.12	■
335 xi (N54 B30 A)		Gasolina	4WD	2979	240	326	03.07-08.08	■
330i (N52 B30 A)	increased payload	Gasolina	RWD	2996	190	258	08.05-08.07	■
330 xi (N52 B30 A)	increased payload	Gasolina	4WD	2996	190	258	09.05-08.07	■
330i (N53 B30 A)	not M technique -09/09, not increas.payload	Gasolina	RWD	2996	200	272	09.07-06.12	■
330i		Gasolina	RWD	2996	200	272	03.07-06.12	■
330 i xDrive (N53 B30 A)	increased payload -09/09, not increas.payload	Gasolina	4WD	2996	200	272	09.07-06.12	■
330 xi (N53 B30 A)	increased payload -09/09, not increas.payload	Gasolina	4WD	2996	200	272	09.07-06.12	■
325 d (M57 D30 (306D3))	government vehicles, not M technique	Diesel	RWD	2993	145	197	09.06-06.12	■
325 d (N57 D30 A)	not M technique, government vehicles	Diesel	RWD	2993	150	204	02.10-06.12	■
330 d (M57 D30 (306D3))		Diesel	RWD	2993	155	211	06.05-05.12	■
330 d (N57 D30 A)		Diesel	RWD	2993	155	211	06.05-05.12	■
330 d (M57 D30 (306D3))	09/07-	Diesel	RWD	2993	170	231	12.04-08.08	■
330 xd (M57 D30 (306D3))	09/07-	Diesel	4WD	2993	170	231	09.05-06.12	■
330 d (N57 D30 A)	not M technique, increased payload -09/09, not increas.payload	Diesel	RWD	2993	180	245	02.08-05.12	■
330 d xDrive (N57 D30 A)	increased payload -09/09, not increas.payload	Diesel	4WD	2993	180	245	01.09-06.12	■
335 d (M57 D30 (306D5))		Diesel	RWD	2993	210	286	09.06-06.12	■
X1 (E84) 03.09-06.15					SUV (Compact SUV-J Segment)			
sDrive20i (N20 B20 A)		Gasolina	RWD	1997	135	184	09.11-06.15	■
xDrive 35 i (N55 B30 A)		Gasolina	4WD	2979	225	306	03.11-06.15	■
xDrive28i (N52 B30 A)		Gasolina	4WD	2996	190	258	09.09-08.11	■
xDrive28i (N52 B30 A)		Gasolina	4WD	2996	194	264	03.10-06.11	■