

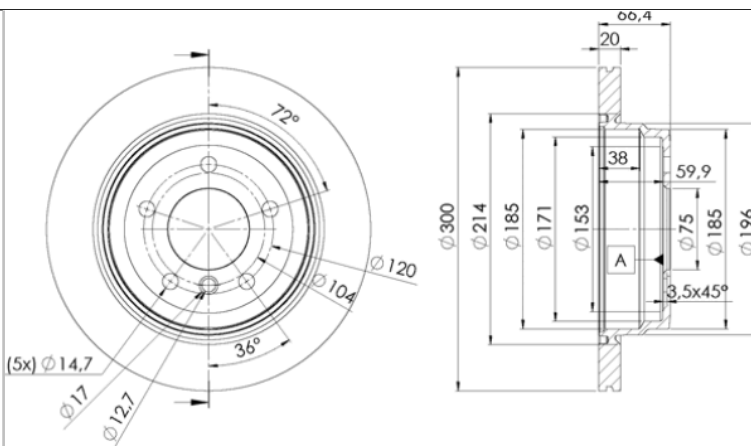
# LISTA DE APLICACIONES - BUYERS GUIDE

## 78BD1974-2



Weight: 13.770

O.E.M.	MAKE
34 21 6 764 653	BMW
34216855008	BMW
34216864901	BMW
6764653	BMW
6855008	BMW
6864901	BMW



## 78BD1974-2

**E1 90R-02C0438/1362**



Ø300x20x66.4

**MAKE**

BMW



Trac.	CC	Kw	CV
-------	----	----	----



Front / Rear

### BMW

				Hatchback (Compact car-C Segment)			
<b>1 Serie (E87) 02.03-12.13</b>							
130 i (N52 B30 A)	Gasolina	RWD	2996	190	258	03.07-06.11	■
130 i (N52 B30 AF)	Gasolina	RWD	2996	190	258	03.07-06.11	■
130 i (N52 B30 B)	Gasolina	RWD	2996	190	258	03.07-06.11	■
130 i (N52 B30 BF)	Gasolina	RWD	2996	190	258	03.07-06.11	■
130 i (N52 B30 A)	Gasolina	RWD	2996	190	258	09.06-12.11	■
130 i (N52 B30 B)	Gasolina	RWD	2996	190	258	09.06-12.11	■
130 i (N52 B30 BF)	Gasolina	RWD	2996	190	258	09.06-12.11	■
130 i (N52 B30 A)	Gasolina	RWD	2996	195	265	09.05-02.07	■
130 i (N52 B30 AF)	Gasolina	RWD	2996	195	265	09.05-02.07	■
130 i (N52 B30 BF)	Gasolina	RWD	2996	195	265	09.05-02.07	■
130 i (N52 B30 A)	Gasolina	RWD	2996	195	265	09.06-12.11	■
130 i (N52 B30 B)	Gasolina	RWD	2996	195	265	09.06-12.11	■
130 i (N52 B30 BF)	Gasolina	RWD	2996	195	265	09.06-12.11	■
123 d (N47 D20 B)	Diesel	RWD	1995	150	204	03.07-06.11	■
123 d (N47 D20 D)	Diesel	RWD	1995	150	204	03.07-06.11	■
123 d (N47 D20 B)	Diesel	RWD	1995	150	204	03.07-12.11	■
123 d (N47 D20 D)	Diesel	RWD	1995	150	204	03.07-12.11	■
<b>3 Serie V (E93) 05.06-12.13</b>				Convertible (Compact executive car-D Segment)			
320i	Gasolina	RWD	1995	110	149	01.07-08.13	■
320i (N46 B20 B)	Gasolina	RWD	1995	115	156	01.07-08.13	■
320i (N43 B20 A)	Gasolina	RWD	1995	125	170	03.07-10.13	■
323 i (N52 B25 A)	Gasolina	RWD	2497	140	190	03.07-09.11	■

# LISTA DE APLICACIONES - BUYERS GUIDE

325i (N52 B25 A)		Gasolina	RWD	2497	160	218	12.06-02.10	■	
325i (N53 B30 A)		Gasolina	RWD	2996	155	211	10.06-12.13	■	
325i (N53 B30 A)		Gasolina	RWD	2996	160	218	03.07-12.13	■	
320 d (N47 D20 C)		Diesel	RWD	1995	120	163	01.08-12.13	■	
320 d (N47 D20 A)		Diesel	RWD	1995	145	197	09.07-02.10	■	
320 d (N47 D20 C)		Diesel	RWD	1995	145	197	09.07-02.10	■	
320 d (N47 D20 C)		Diesel	RWD	1995	147	200	03.10-10.13	■	
<b>3 Serie V (E92) 01.05-12.13</b>							<b>Coupe (Compact executive car-D Segment)</b>		
325 i xDrive (N52 B25 A)		Gasolina	4WD	2497	150	204	03.10-04.13	■	
325 i xDrive (N52 B25 AF)		Gasolina	4WD	2497	155	211	03.10-04.13	■	
325 xi (N52 B25 A)		Gasolina	4WD	2497	160	218	09.06-02.10	■	
325 i xDrive (N53 B30 A)		Gasolina	4WD	2996	155	211	09.08-06.13	■	
325 xi		Gasolina	4WD	2996	155	211	09.07-08.08	■	
325 i xDrive (N53 B30 A)		Gasolina	4WD	2996	160	218	09.08-12.13	■	
325 xi (N53 B30 A)		Gasolina	4WD	2996	160	218	09.07-08.08	■	
328 i xDrive (N51 B30 A)		Gasolina	4WD	2996	172	234	09.08-06.13	■	
328 i xDrive (N52 B30 A)		Gasolina	4WD	2996	172	234	09.08-06.13	■	
328 xi (N51 B30, N52 B30 A)		Gasolina	4WD	2996	172	234	09.06-08.08	■	
320 d xDrive (N47 D20 C)		Diesel	4WD	1995	120	163	09.08-06.13	■	
320 d xDrive (N47 D20 C)		Diesel	4WD	1995	135	184	03.10-06.13	■	
320 d xDrive (N47 D20 C)		Diesel	4WD	1995	145	197	09.08-02.10	■	
320 d xDrive (N47 D20 C)		Diesel	4WD	1995	147	200	03.10-06.13	■	
<b>3 Serie V (E90) 02.04-12.13</b>							<b>Saloon (Compact executive car-D Segment)</b>		
320 si (N45 B20 A)		Gasolina	RWD	1997	127	173	09.05-08.06	■	
325 xi (N52 B25 A)	not government vehic	Gasolina	4WD	2497	160	218	09.05-08.08	■	
325 i xDrive (N53 B30 A)		Gasolina	4WD	2996	155	211	09.08-10.11	■	
325 i xDrive (N53 B30 A)	not government vehic	Gasolina	4WD	2996	160	218	09.08-10.11	■	
325 xi (N53 B30 A)	not government vehic	Gasolina	4WD	2996	160	218	09.07-08.08	■	
325 xi (N52 B30 A)		Gasolina	4WD	2996	160	218	09.05-08.06	■	
320 d xDrive (N47 D20 C)	not government vehic	Diesel	4WD	1995	120	163	09.08-10.11	■	
<b>3 Serie V Touring (E91) 12.04-12.12</b>							<b>Estate (Compact executive car-D Segment)</b>		
318i (N46 B20 B)		Gasolina	RWD	1995	95	129	01.06-08.07	■	
318i (N46 B20 B)		Gasolina	RWD	1995	100	136	09.07-03.12	■	
318i (N43 B20 A)		Gasolina	RWD	1995	105	143	05.07-05.12	■	
320i (N46 B20 B)		Gasolina	RWD	1995	110	150	09.05-06.12	■	
320i (N46 B20 C)		Gasolina	RWD	1995	110	150	09.05-06.12	■	
320i (N46 B20 B)		Gasolina	RWD	1995	115	156	09.05-06.12	■	
320i (N46 B20 BD)		Gasolina	RWD	1995	115	156	09.05-06.12	■	
320i (N46 B20 C)		Gasolina	RWD	1995	115	156	09.05-06.12	■	
320i (N43 B20 A)		Gasolina	RWD	1995	120	163	02.07-05.12	■	
320i (N43 B20 A)		Gasolina	RWD	1995	125	170	02.07-12.12	■	
323 i (N52 B25 A)		Gasolina	RWD	2497	130	177	04.06-06.07	■	
325i (N52 B25 A)	not government vehic	Gasolina	RWD	2497	160	218	12.04-08.08	■	
325i (N53 B30 A)	not government vehic	Gasolina	RWD	2996	155	211	09.07-06.12	■	
325i (N53 B30 A)	not government vehic	Gasolina	RWD	2996	160	218	09.07-06.12	■	
318 d (M47 D20 (204D4))		Diesel	RWD	1995	90	122	09.05-08.07	■	
318 d (N47 D20 A)		Diesel	RWD	1995	100	136	07.07-06.12	■	
318 d (N47 D20 C)		Diesel	RWD	1995	100	136	07.07-06.12	■	
318 d (N47 D20 A)		Diesel	RWD	1995	105	143	09.07-06.12	■	
318 d (N47 D20 C)		Diesel	RWD	1995	105	143	09.07-06.12	■	

# LISTA DE APLICACIONES - BUYERS GUIDE

320 d (M47 D20 (204D4))	not government vehic	Diesel	RWD	1995	110	150	12.04-08.07	■	
320 d (M47 D20 (204D4))	not government vehic	Diesel	RWD	1995	120	163	06.05-06.12	■	
320 d (N47 D20 A)	not government vehic	Diesel	RWD	1995	120	163	06.05-06.12	■	
320 d (N47 D20 C)	not government vehic	Diesel	RWD	1995	120	163	06.05-06.12	■	
320 d xDrive (N47 D20 C)	not government vehic	Diesel	4WD	1995	120	163	07.09-06.12	■	
320 d (N47 D20 A)	not government vehic	Diesel	RWD	1995	130	177	02.07-12.10	■	
320 d (N47 D20 C)	not government vehic	Diesel	RWD	1995	130	177	02.07-12.10	■	
320 d xDrive (N47 D20 C)	not government vehic	Diesel	4WD	1995	130	177	09.08-02.10	■	
320 xd	not government vehic	Diesel	RWD	1995	130	177	02.08-02.10	■	
320 d (N47 D20 C)	not government vehic	Diesel	RWD	1995	135	184	03.10-05.12	■	
320 d xDrive (N47 D20 C)	not government vehic	Diesel	4WD	1995	135	184	03.10-06.12	■	
320 d (N47 D20 A)		Diesel	RWD	1995	145	197	02.07-02.10	■	
320 d (N47 D20 C)		Diesel	RWD	1995	145	197	02.07-02.10	■	
320 d xDrive (N47 D20 C)		Diesel	4WD	1995	145	197	02.08-02.10	■	
320 d xDrive (N47 D20 C)		Diesel	4WD	1995	147	200	03.10-05.12	■	
<b>X1 (E84) 03.09-06.15</b>						<b>SUV (Compact SUV-J Segment)</b>			
sDrive 16i (N20 B16 A)		Gasolina	RWD	1592	105	143	03.13-06.15	■	
sDrive18i (N46 B20 B)		Gasolina	RWD	1995	100	136	03.10-06.15	■	
sDrive18i (N46 B20 BD)		Gasolina	RWD	1995	100	136	03.10-06.15	■	
sDrive18i (N46 B20 B)		Gasolina	RWD	1995	110	150	03.10-06.15	■	
sDrive18i (N46 B20 BD)		Gasolina	RWD	1995	110	150	03.10-06.15	■	
sDrive18i (N46 B20 C)		Gasolina	RWD	1995	110	150	03.10-06.15	■	
sDrive18i (N46 B20 CC)		Gasolina	RWD	1995	110	150	03.10-06.15	■	
sDrive18i (N46 B20 CD)		Gasolina	RWD	1995	110	150	03.10-06.15	■	
sDrive18i (N46 B20 E)		Gasolina	RWD	1995	110	150	03.10-06.15	■	
xDrive20i (N20 B20 A)		Gasolina	4WD	1997	135	184	09.11-06.15	■	
sDrive28i (N20 B20 A)		Gasolina	RWD	1997	180	245	09.12-06.15	■	
xDrive28i (N20 B20 A)		Gasolina	4WD	1997	180	245	03.11-06.15	■	
xDrive 25 i (N52 B30 A)		Gasolina	4WD	2996	160	218	03.10-08.11	■	
xDrive 28 i Flex (N20 B20 A)		Gasol./Etanol	4WD	1997	180	245	04.11-06.15	■	
sDrive 18 d (N47 D20 C)	12/09-	Diesel	RWD	1995	100	136	03.09-06.15	■	
xDrive 18 d (N47 D20 C)	12/09-	Diesel	4WD	1995	100	136	03.09-06.15	■	
sDrive 18 d (N47 D20 C)		Diesel	RWD	1995	105	143	12.09-06.15	■	
xDrive 18 d (N47 D20 C)		Diesel	4WD	1995	105	143	10.09-06.15	■	
sDrive 20 d (N47 D20 C)		Diesel	RWD	1995	120	163	03.10-06.15	■	
xDrive 20 d (N47 D20 C)		Diesel	4WD	1995	120	163	03.10-06.15	■	
sDrive 20 d (N47 D20 C)		Diesel	RWD	1995	130	177	10.09-06.15	■	
xDrive 20 d (N47 D20 C)		Diesel	4WD	1995	130	177	09.09-06.12	■	
sDrive 20 d (N47 D20 C)		Diesel	RWD	1995	135	184	07.12-06.15	■	
xDrive 20 d (N47 D20 C)		Diesel	4WD	1995	135	184	07.12-06.15	■	
xDrive 23 d (N47 D20 D)		Diesel	4WD	1995	150	204	10.09-06.15	■	
xDrive 25 d (N47 D20 D)		Diesel	4WD	1995	160	218	10.09-06.15	■	