

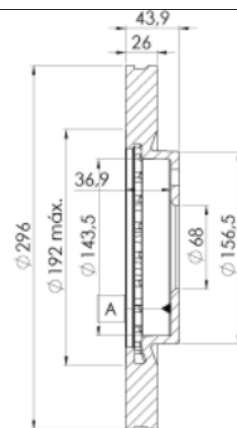
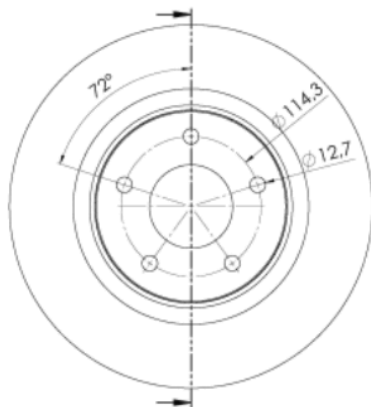
LISTA DE APLICACIONES - BUYERS GUIDE

78BD2057-2



Weight: 14.540

O.E.M.	MAKE
402061KC0A	NISSAN
402061KC0B	NISSAN
402061KC1A	NISSAN
402061KC1B	NISSAN
402061KC3A	NISSAN
402064CL0A	NISSAN
40206JD00A	NISSAN
40206JD00B	NISSAN
40206JE20A	NISSAN (DFAC)
40206JE20B	NISSAN
40206JG00A	NISSAN
40206JG00B	NISSAN
40206JG00C	NISSAN



78BD2057-2

E1 90R-02C0452/0127



Ø296x26x43.9

MAKE
KIA
NISSAN
NISSAN (DFAC)



Trac.	CC	Kw	CV
-------	----	----	----



Front / Rear

KIA

RIO III (UB) 09.11-						Hatchback Van (Supermini car-B Segment)			
1.2 CVVT (G4LA)	Rim 15	Gasolina	FWD	1248	63	86	04.15-12.17	■	
1.4 CVVT (G4FA)	Rim 15	Gasolina	FWD	1396	80	109	04.15-	■	
1.1 CRDi (D3FA)	Rim 15	Diesel	FWD	1120	55	75	09.11-	■	
1.4 CRDi (D4FC)	Rim 15	Diesel	FWD	1396	66	90	04.15-	■	
RIO III (UB) 09.11-						Hatchback (Supermini car-B Segment)			
1.2 (G4LA)	Rim 15	Gasolina	FWD	1248	51	69	09.11-12.17	■	
1.2 CVVT (G4LA)	Rim 15	Gasolina	FWD	1248	62	84	09.11-12.17	■	
1.25 CVVT (G4LA)	Rim 15, France	Gasolina	FWD	1248	63	86	09.11-12.17	■	
1.25 (G4LA)	Rim 15	Gasolina	FWD	1248	64	87	11.14-12.17	■	
1.25 CVVT (G4LA)	Rim 15	Gasolina	FWD	1248	65	88	09.11-12.17	■	
1.4 CVVT (G4FA)	Rim 15	Gasolina	FWD	1396	78	106	09.11-12.17	■	
1.4 CVVT (G4FA)	Rim 15	Gasolina	FWD	1396	79	107	09.11-12.17	■	
1.4 CVVT (G4FA)	Rim 15, France	Gasolina	FWD	1396	80	109	09.11-12.17	■	
1.6 CVVT (G4FC)	Rim 15	Gasolina	FWD	1591	90	123	06.12-12.17	■	
1.25 LPG (G4LA)	Rim 15, France	Gasol./Gas (LPG)	FWD	1248	63	86	09.11-12.17	■	
1.1 CRDi (D3FA)	Rim 15, France	Diesel	FWD	1120	55	75	09.11-12.17	■	
1.4 CRDi (D4FC)	Rim 15, France	Diesel	FWD	1396	66	90	09.11-12.17	■	
RIO III (UB) 09.10-						Saloon (Supermini car-B Segment)			
1.25 CVVT (G4LA)	Rim 15	Gasolina	FWD	1248	61	83	04.15-12.17	■	
1.25 CVVT (G4LA)	Rim 15, France	Gasolina	FWD	1248	63	86	10.11-12.17	■	
1.2 CVVT (G4LA)	Rim 15	Gasolina	FWD	1248	64	87	11.14-12.17	■	

LISTA DE APLICACIONES - BUYERS GUIDE

1.25 CVVT (G4LA)	Rim 15	Gasolina	FWD	1248	65	88	06.11-12.17	■
1.4 CVVT	Rim 15	Gasolina	FWD	1396	78	106	10.11-	■
1.4 CVVT (G4FA)	Rim 15	Gasolina	FWD	1396	79	107	06.11-12.17	■
1.4 CVVT (G4FA)	Rim 15, France	Gasolina	FWD	1396	80	109	10.11-12.17	■
1.6 CVVT (G4FC)	Rim 15	Gasolina	FWD	1591	90	123	06.12-12.17	■
NISSAN								
JUKE (F15) 06.10-					SUV Van (Mini SUV-J Segment)			
1.6		Gasolina	FWD	1618	140	190	03.13-12.19	■
JUKE (F15) 06.10-					SUV (Mini SUV-J Segment)			
1.6 DIG-T (MR16DDT)		Gasolina	FWD	1618	140	190	06.10-12.19	■
1.6 DIG-T 4x4 (MR16DDT)		Gasolina	4WD	1618	140	190	06.10-12.19	■
1.6 DIG-T NISMO (MR16DDT)		Gasolina	FWD	1618	147	200	11.12-12.19	■
1.6 DIG-T NISMO 4x4 (MR16DDT)		Gasolina	4WD	1618	147	200	11.12-12.19	■
1.6 DIG-T NISMO RS		Gasolina	FWD	1618	157	214	11.15-12.19	■
1.6 DIG-T NISMO RS 4x4 (MR16DDT)		Gasolina	4WD	1618	157	214	08.14-12.19	■
1.6 DIG-T NISMO RS (MR16DDT)		Gasolina	FWD	1618	160	218	08.14-12.19	■
1.6 DIG-T NISMO RS		Gasolina	FWD	1618	160	218	11.15-	■
PULSAR (C12) 08.10-					Hatchback (Supermini car-B Segment)			
1.6 (MR16DDT)		Gasolina	FWD	1618	140	190	02.13-	■
PULSAR / SYLPHI (C13) 10.14-					Hatchback (Large family car-D Segment)			
1.6 DIG-T (MR16DDT)		Gasolina	FWD	1618	140	190	02.15-	■
QASHQAI / QASHQAI +2 I / DUALIS (J10, NJ10) 11.06-01.15					SUV (Compact SUV-J Segment)			
1.6	Short Wheelbase	Gasolina	FWD	1598	81	110	02.07-12.13	■
1.6 (HR16DE)	Short Wheelbase	Gasolina	FWD	1598	84	114	02.07-12.13	■
1.6 (HR16DE)	Short Wheelbase	Gasolina	FWD	1598	86	117	11.10-12.13	■
2.0 (MR20DE)	Short Wheelbase	Gasolina	FWD	1997	102	139	02.07-12.13	■
2.0 Alas 4 ruedas (MR20DE)	Short Wheelbase	Gasolina	4WD	1997	102	139	02.07-12.13	■
2.0		Gasolina	FWD	1997	103	140	02.07-	■
2.0 (MR20DE)	Short Wheelbase	Gasolina	FWD	1997	103	140	01.10-04.14	■
2.0 Alas 4 ruedas		Gasolina	FWD	1997	103	140	02.07-	■
2.0 Alas 4 ruedas	Short Wheelbase	Gasolina	4WD	1997	103	140	01.10-04.14	■
2.0 (MR20DE)	Short Wheelbase	Gasolina	FWD	1997	104	141	02.07-12.13	■
2.0 Alas 4 ruedas (MR20DE)	Short Wheelbase	Gasolina	4WD	1997	104	141	02.07-12.13	■
1.5 dCi (K9K 282)	Short Wheelbase	Diesel	FWD	1461	76	103	08.08-01.10	■
1.5 dCi (K9K 292)	Short Wheelbase	Diesel	FWD	1461	76	103	08.08-01.10	■
1.5 dCi (K9K 282)	Short Wheelbase	Diesel	FWD	1461	78	106	11.06-11.13	■
1.5 dCi (K9K 292)	Short Wheelbase	Diesel	FWD	1461	78	106	11.06-11.13	■
1.5 dCi (K9K 430)	Short Wheelbase	Diesel	FWD	1461	81	110	01.10-12.13	■
1.6 dCi (R9M)	Short Wheelbase	Diesel	FWD	1598	96	130	10.11-12.13	■
1.6 dCi A las 4 ruedas (R9M)	Short Wheelbase	Diesel	4WD	1598	96	130	10.11-12.13	■
2.0 dCi (M1D)	Short Wheelbase	Diesel	FWD	1995	110	150	02.07-12.13	■
2.0 dCi (M9R)	Short Wheelbase	Diesel	FWD	1995	110	150	02.07-12.13	■
2.0 dCi A las 4 ruedas (M1D)	Short Wheelbase	Diesel	4WD	1995	110	150	02.07-12.13	■
2.0 dCi A las 4 ruedas (M9R)	Short Wheelbase	Diesel	4WD	1995	110	150	02.07-12.13	■
QASHQAI / QASHQAI +2 I VAN (J10) 12.06-04.14					SUV Van (Compact SUV-J Segment)			
2.0	Short Wheelbase	Gasolina	FWD	1997	104	141	03.13-04.14	■
2.0 Alas 4 ruedas	Short Wheelbase	Gasolina	4WD	1997	104	141	03.13-04.14	■

LISTA DE APLICACIONES - BUYERS GUIDE

ROGUE 01.07-12.15					SUV (Compact SUV-J Segment)			
2.5 (QR25DE)		Gasolina	FWD	2488	127	173	01.07-12.15	■
2.5 AWD (QR25DE)		Gasolina	4WD	2488	127	173	01.07-12.13	■
X-TRAIL II (T31) 03.07-02.14					SUV Van (Compact SUV-J Segment)			
dCi		Diesel	FWD	1995	110	150	01.11-02.14	■
dCi 4x4		Diesel	4WD	1995	110	150	01.13-02.14	■
dCi 4x4		Diesel	4WD	1995	127	173	03.13-02.14	■
X-TRAIL II (T31) 03.07-12.18					SUV (Compact SUV-J Segment)			
2.0		Gasolina	FWD	1997	101	137	09.12-02.14	■
2.0 4x4 (MR20DE)		Gasolina	4WD	1997	101	137	06.07-11.13	■
2.0 (MR20DE)		Gasolina	FWD	1997	102	139	06.08-02.14	■
2.0 4x4 (MR20DE)		Gasolina	4WD	1997	104	141	06.07-11.13	■
2.0 FWD (MR20DE)		Gasolina	FWD	1997	104	141	03.07-11.13	■
2.0 4x4 (MR20DE)		Gasolina	4WD	1998	103	140	06.08-11.13	■
2.0 FWD (MR20DE)		Gasolina	FWD	1998	103	140	06.08-11.13	■
2.5 4x4		Gasolina	4WD	2488	122	166	01.08-11.13	■
2.5		Gasolina	FWD	2488	124	169	09.07-11.13	■
2.5 4x4 (QR25DE)		Gasolina	4WD	2488	124	169	06.07-11.13	■
2.5		Gasolina	FWD	2488	125	170	09.07-07.14	■
2.5 4x4 (QR25DE)		Gasolina	4WD	2488	132	180	09.07-07.14	■
2.0 dCi (M9R)		Diesel	FWD	1995	110	150	06.07-11.13	■
2.0 dCi 4x4 (M9R)		Diesel	4WD	1995	110	150	06.07-11.13	■
2.0 dCi 4x4 (M9R 760)		Diesel	4WD	1995	127	173	06.07-11.13	■
2.0 dCi 4x4 (M9R 760)		Diesel	4WD	1995	130	177	10.09-11.13	■
NISSAN (DFAC)								
QASCHQAI (J10) 12.07-					SUV (Compact SUV-J Segment)			
2.0		Gasolina	FWD	1997	102	139	03.08-12.11	■
2.0 4x4		Gasolina	4WD	1997	102	139	03.08-12.11	■
2.0	Short Wheelbase	Gasolina	FWD	1997	106	144	01.11-	■
2.0 Alas 4 ruedas		Gasolina	4WD	1997	106	144	01.11-12.15	■
2.0	Short Wheelbase	Gasolina	FWD	1997	110	150	10.15-	■
TIIDA II / LATIO (C12) 05.11-					Hatchback (Compact car-C Segment)			
1.6 GTS (MR16)		Gasolina	FWD	1618	140	190	06.11-12.15	■
X-TRAIL (T31) 11.08-12.14					SUV (Compact SUV-J Segment)			
2.0		Gasolina	4WD	1997	106	144	11.08-12.14	■
2.5		Gasolina	4WD	2488	135	184	11.08-12.14	■