

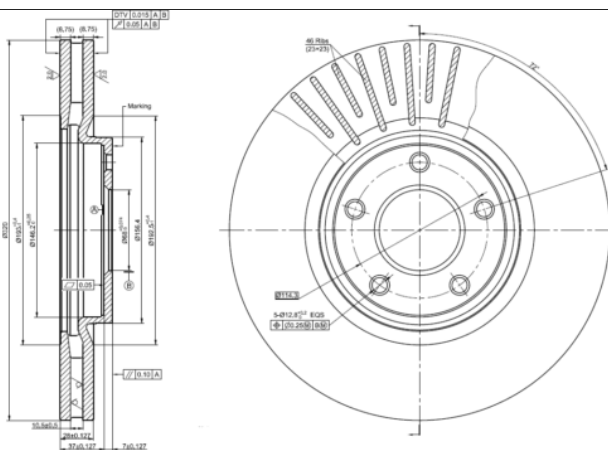
LISTA DE APLICACIONES - BUYERS GUIDE

78BD2059-2



Weight: 9.390

O.E.M.	MAKE
402069828R	SAMSUNG
40206-ET01A	NISSAN
40206JY01A	SAMSUNG



78BD2059-2

E1 90R-02C0452/0130



Ø320x28x44

MAKE
NISSAN
NISSAN (DFAC)
RENAULT
SAMSUNG



Trac.	CC	Kw	CV
-------	----	----	----



Front / Rear

NISSAN

JUKE (F15) 06.10-

SUV (Mini SUV-J Segment)

1.6 DIG-T NISMO RS 4x4 (MR16DDT)	Eq.V_ NISMO	Gasolina	4WD	1618	157	214	08.14-12.19	■
1.6 DIG-T NISMO RS (MR16DDT)	Eq.V_ NISMO	Gasolina	FWD	1618	160	218	08.14-12.19	■
1.6 DIG-T NISMO RS		Gasolina	FWD	1618	160	218	11.15-	■

QASHQAI / QASHQAI +2 I / DUALIS (J10, NJ10) 11.06-01.15

SUV (Compact SUV-J Segment)

1.6	Long Wheelbase	Gasolina	FWD	1598	81	110	02.07-12.13	■
1.6 (HR16DE)	Long Wheelbase	Gasolina	FWD	1598	84	114	02.07-12.13	■
1.6 (HR16DE)	Long Wheelbase	Gasolina	FWD	1598	86	117	11.10-12.13	■
2.0 (MR20DE)	Long Wheelbase	Gasolina	FWD	1997	101	137	01.10-04.14	■
2.0 Alas 4 ruedas (MR20DE)	Long Wheelbase	Gasolina	4WD	1997	101	137	02.07-11.13	■
2.0 (MR20DE)	Long Wheelbase	Gasolina	FWD	1997	102	139	02.07-12.13	■
2.0 Alas 4 ruedas (MR20DE)	Long Wheelbase	Gasolina	4WD	1997	102	139	02.07-12.13	■
2.0 (MR20DE)	Long Wheelbase	Gasolina	FWD	1997	103	140	01.10-04.14	■
2.0 Alas 4 ruedas	Long Wheelbase	Gasolina	4WD	1997	103	140	01.10-04.14	■
2.0 (MR20DE)	Long Wheelbase	Gasolina	FWD	1997	104	141	02.07-12.13	■
2.0 Alas 4 ruedas (MR20DE)	Long Wheelbase	Gasolina	4WD	1997	104	141	02.07-12.13	■
1.6 LPG (HR16DE)	Long Wheelbase	Gasol./Gas (LPG)	FWD	1598	86	117	11.10-12.13	■
1.5 dCi (K9K 282)	Long Wheelbase	Diesel	FWD	1461	76	103	08.08-01.10	■
1.5 dCi (K9K 292)	Long Wheelbase	Diesel	FWD	1461	76	103	08.08-01.10	■
1.5 dCi (K9K 282)	Long Wheelbase	Diesel	FWD	1461	78	106	11.06-11.13	■
1.5 dCi (K9K 292)	Long Wheelbase	Diesel	FWD	1461	78	106	11.06-11.13	■
1.5 dCi (K9K 430)	Long Wheelbase	Diesel	FWD	1461	81	110	01.10-12.13	■
1.6 dCi (R9M)	Long Wheelbase	Diesel	FWD	1598	96	130	10.11-12.13	■

LISTA DE APLICACIONES - BUYERS GUIDE

1.6 dCi A las 4 ruedas (R9M)	Long Wheelbase	Diesel	4WD	1598	96	130	10.11-12.13	■
2.0 dCi (M1D)	Long Wheelbase	Diesel	FWD	1995	110	150	02.07-12.13	■
2.0 dCi (M9R)	Long Wheelbase	Diesel	FWD	1995	110	150	02.07-12.13	■
2.0 dCi A las 4 ruedas (M1D)	Long Wheelbase	Diesel	4WD	1995	110	150	02.07-12.13	■
2.0 dCi A las 4 ruedas (M9R)	Long Wheelbase	Diesel	4WD	1995	110	150	02.07-12.13	■

QASHQAI / QASHQAI +2 I VAN (J10) 12.06-04.14	SUV Van (Compact SUV-J Segment)
---	--

1.6 CVTC	Long Wheelbase	Gasolina	FWD	1598	86	117	03.13-04.14	■
2.0	Long Wheelbase	Gasolina	FWD	1997	104	141	03.13-04.14	■
2.0 Alas 4 ruedas	Long Wheelbase	Gasolina	4WD	1997	104	141	03.13-04.14	■
1.5 dCi	Long Wheelbase	Diesel	FWD	1461	81	110	03.13-04.14	■
1.6 dCi	Long Wheelbase	Diesel	FWD	1598	96	131	03.13-04.14	■
1.6 dCi A las 4 ruedas	Long Wheelbase	Diesel	4WD	1598	96	131	03.13-04.14	■
2.0 dCi A las 4 ruedas	Long Wheelbase	Diesel	4WD	1995	110	150	03.13-04.14	■

SENTRA VI (B16) 09.06-12.13	Saloon (Compact car-C Segment)
------------------------------------	---------------------------------------

2.5 (QR25DE)		Gasolina	FWD	2488	132	180	09.06-12.12	■
--------------	--	----------	-----	------	-----	-----	-------------	---

NISSAN (DFAC)

X-TRAIL (T32) 02.14-	SUV (Compact SUV-J Segment)
-----------------------------	------------------------------------

2.0 (MR20DD)		Gasolina	FWD	1197	113	154	08.18-	■
2.0 (MR20DD)		Gasolina	FWD	1997	110	150	03.14-12.18	■
2.5 A las 4 ruedas		Gasolina	FWD	2488	137	186	02.14-	■

RENAULT

KOLEOS (HY_) 09.08-	SUV (Compact SUV-J Segment)
----------------------------	------------------------------------

2.0		Gasolina	FWD	1997	103	140	08.13-	■
2.5 (HY0C, HY0N) (2TR 700)		Gasolina	FWD	2488	126	171	09.08-	■
2.5 (HY0C, HY0N) (2TR 702)		Gasolina	FWD	2488	126	171	09.08-	■
2.5 (HY0C, HY0N) (2TR 703)		Gasolina	FWD	2488	126	171	09.08-	■
2.5 4x4 (HY0C, HY0N) (2TR 700)		Gasolina	4WD	2488	126	171	09.08-	■
2.5 4x4 (HY0C, HY0N) (2TR 702)		Gasolina	4WD	2488	126	171	09.08-	■
2.5 4x4 (HY0C, HY0N) (2TR 703)		Gasolina	4WD	2488	126	171	09.08-	■
2.0 dCi (HY0K) (M9R 855)		Diesel	FWD	1995	110	150	09.08-	■
2.0 dCi (HY0K) (M9R 856)		Diesel	FWD	1995	110	150	09.08-	■
2.0 dCi (HY0K) (M9R 862)		Diesel	FWD	1995	110	150	09.08-	■
2.0 dCi (HY0K) (M9R 865)		Diesel	FWD	1995	110	150	09.08-	■
2.0 dCi (HY0K) (M9R 866)		Diesel	FWD	1995	110	150	09.08-	■
2.0 dCi 4x4 (HY0K) (M9R 832)		Diesel	4WD	1995	110	150	09.08-	■
2.0 dCi 4x4 (HY0K) (M9R 833)		Diesel	4WD	1995	110	150	09.08-	■
2.0 dCi 4x4 (HY0K) (M9R 834)		Diesel	4WD	1995	110	150	09.08-	■
2.0 dCi 4x4 (HY0K) (M9R 835)		Diesel	4WD	1995	110	150	09.08-	■
2.0 dCi 4x4 (HY0K) (M9R 836)		Diesel	4WD	1995	110	150	09.08-	■
2.0 dCi 4x4 (HY0K) (M9R 838)		Diesel	4WD	1995	110	150	09.08-	■
2.0 dCi 4x4 (HY0K) (M9R 850)		Diesel	4WD	1995	110	150	09.08-	■
2.0 dCi 4x4 (HY0K) (M9R 855)		Diesel	4WD	1995	110	150	09.08-	■
2.0 dCi 4x4 (HY0K) (M9R 856)		Diesel	4WD	1995	110	150	09.08-	■
2.0 dCi 4x4 (HY0K) (M9R 862)		Diesel	4WD	1995	110	150	09.08-	■
2.0 dCi 4x4 (HY0K) (M9R 865)		Diesel	4WD	1995	110	150	09.08-	■
2.0 dCi 4x4 (HY0K) (M9R 866)		Diesel	4WD	1995	110	150	09.08-	■
2.0 dCi (M9R 865)		Diesel	FWD	1995	127	173	07.13-	■
2.0 dCi 4x4 (HY0B) (M9R 830)		Diesel	4WD	1995	127	173	09.08-	■
2.0 dCi 4x4 (M9R 830)		Diesel	4WD	1995	130	177	09.08-03.13	■

SAMSUNG

LISTA DE APLICACIONES - BUYERS GUIDE

QM5 12.06-					SUV (Compact SUV-J Segment)			
2.0	Gasolina	FWD	1998	105	143	12.06-	■	
2.5	Gasolina	FWD	2488	126	171	12.06-	■	
2.5	Gasolina	FWD	2488	126	171	12.06-	■	
2.0 dCi	Diesel	FWD	1995	110	150	12.06-	■	
2.0 dCi	Diesel	RWD	1995	110	150	12.06-	■	
2.0 dCi (M9R 760)	Diesel	FWD	1995	127	173	12.06-	■	
2.0 dCi	Diesel	RWD	1995	127	173	12.06-	■	