

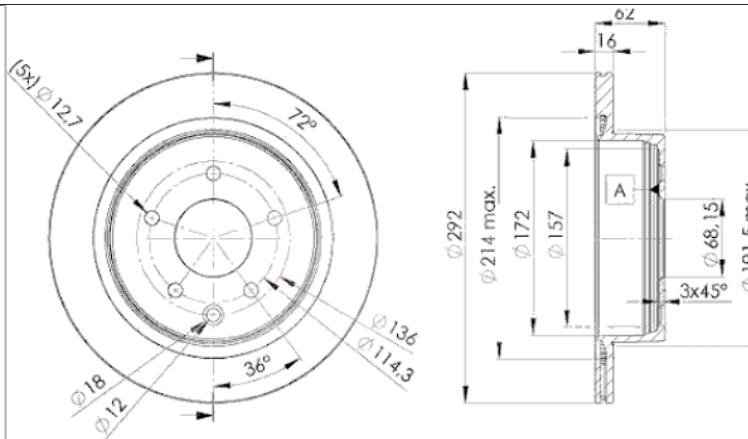
LISTA DE APLICACIONES - BUYERS GUIDE

78BD2071-2



Weight: 10.904

O.E.M.	MAKE
43 20 000 16R	RENAULT
43206-8H304	NISSAN
43206-8H305	NISSAN
43206-8H700	NISSAN
43206-8H701	NISSAN



78BD2071-2

E1 90R-02C0656/0112



Ø292x16x62

MAKE
INFINITI
NISSAN
NISSAN (DFAC)
PEUGEOT
RENAULT
SAMSUNG
TOYOTA



Trac.	CC	Kw	CV	Front / Rear
-------	----	----	----	--------------

INFINITI

							Coupe (Compact executive car-D Segment)			
G III (V35 U.S.A.) 09.02-12.07										
3.5 (VQ35DE)		Gasolina	RWD	3498	191	260	01.03-12.06	■		
3.5 (VQ35DE)		Gasolina	RWD	3498	209	284	09.02-12.06	■		
3.5 X		Gasolina	4WD	3498	209	284	09.04-06.07	■		
3.5 (VQ35DE)		Gasolina	RWD	3498	220	299	09.04-06.07	■		
G III (V35) 08.02-							Saloon (Compact executive car-D Segment)			
35 (VQ35DE)		Gasolina	RWD	3498	191	260	10.02-	■		
35 X (VQ35DE)		Gasolina	4WD	3498	191	260	08.02-08.04	■		
3.5 (VQ35DE)		Gasolina	RWD	3498	209	284	09.04-06.07	■		
3.5 X (VQ35DE)		Gasolina	4WD	3498	209	284	09.04-12.06	■		

NISSAN

							Coupe (Compact car-C Segment)		
350 Z / FAIRLADY Z (Z33) 09.02-									
3.5 (AAZ33) (VQ35DE)		Gasolina	RWD	3498	206	280	10.03-12.06	■	
3.5 (VQ35DE)		Gasolina	RWD	3498	214	291	11.04-01.07	■	
350Z / FAIRLADY Z (Z33) 09.02-12.09							Convertible (Compact car-C Segment)		
3.5 (AAZ33) (VQ35DE)		Gasolina	RWD	3498	206	280	03.05-12.07	■	
LEAF (ZE0) 11.10-							Hatchback (Executive car-E Segment)		
Electric (EM57)		Eléctrico	FWD		80	109	11.10-12.17	■	
Electric (EM61)		Eléctrico	FWD		80	109	11.10-12.17	■	
LEAF II (ZE1) 08.17-							Hatchback (Executive car-E Segment)		
Electric (EM57)		Eléctrico	FWD		110	150	08.17-	■	

LISTA DE APLICACIONES - BUYERS GUIDE

Electric (EM57)		Eléctrico	FWD		160	218	01.19-	■
QASHQAI / QASHQAI +2 I / DUALIS (J10, NJ10) 11.06-01.15					SUV (Compact SUV-J Segment)			
1.6		Gasolina	FWD	1598	81	110	02.07-12.13	■
ROGUE 01.07-12.15					SUV (Compact SUV-J Segment)			
2.5 (QR25DE)		Gasolina	FWD	2488	127	173	01.07-12.15	■
2.5 AWD (QR25DE)		Gasolina	4WD	2488	127	173	01.07-12.13	■
SKYLINE XI (V35) 01.01-12.07					Coupe (Compact executive car-D Segment)			
2.5 (VQ25DD)		Gasolina	RWD	2495	158	215	01.06-08.07	■
3.0 (VQ30DD)		Gasolina	RWD	2987	191	260	08.03-12.06	■
SKYLINE XI (V35) 08.00-12.07					Saloon (Compact executive car-D Segment)			
3.5 (PV35)		Gasolina	RWD	3498	200	272	02.01-12.07	■
X-TRAIL (T30) 01.01-12.13					SUV (Compact SUV-J Segment)			
2.0 (QR20DE)		Gasolina	FWD	1998	103	140	07.01-01.13	■
2.0 4x4 (QR20DE)		Gasolina	4WD	1998	103	140	07.01-01.13	■
2.0 (QR20DE)		Gasolina	FWD	1998	110	150	09.01-01.13	■
2.0 4x4 (QR20DE)		Gasolina	4WD	1998	110	150	09.01-01.13	■
2.0 4x4 (SR20VET)		Gasolina	4WD	1998	206	280	06.01-01.13	■
2.5 4x4 (QR25DE)		Gasolina	4WD	2488	121	165	09.02-01.13	■
2.5 FWD		Gasolina	FWD	2488	131	178	06.01-12.07	■
2.5 4x4 (QR25DE)		Gasolina	4WD	2488	132	179	11.02-01.13	■
2.5 4x4 (QR25DE)		Gasolina	4WD	2488	134	182	09.01-02.07	■
2.2 dCi (YD22DDTI)		Diesel	FWD	2184	84	114	10.04-01.13	■
2.2 dCi (YD22ETI)		Diesel	FWD	2184	84	114	10.04-01.13	■
2.2 DCi FWD (YD22ETI)		Diesel	FWD	2184	84	114	06.01-09.04	■
2.2 Di 4x4 (YD22DDTI)		Diesel	4WD	2184	84	114	07.01-10.05	■
2.2 Di 4x4 (YD22ETI)		Diesel	4WD	2184	84	114	07.01-10.05	■
2.2 dCi (YD22DDTI)		Diesel	FWD	2184	100	136	12.03-01.13	■
2.2 dCi (YD22ETI)		Diesel	FWD	2184	100	136	12.03-01.13	■
2.2 dCi 4x4 (YD22DDTI)		Diesel	4WD	2184	100	136	06.01-12.08	■
2.2 dCi 4x4 (YD22ETI)		Diesel	4WD	2184	100	136	06.01-12.08	■
X-TRAIL II (T31) 03.07-02.14					SUV Van (Compact SUV-J Segment)			
dCi		Diesel	FWD	1995	110	150	01.11-02.14	■
dCi 4x4		Diesel	4WD	1995	110	150	01.13-02.14	■
dCi 4x4		Diesel	4WD	1995	127	173	03.13-02.14	■
X-TRAIL II (T31) 03.07-12.18					SUV (Compact SUV-J Segment)			
2.0		Gasolina	FWD	1997	101	137	09.12-02.14	■
2.0 4x4 (MR20DE)		Gasolina	4WD	1997	101	137	06.07-11.13	■
2.0 (MR20DE)		Gasolina	FWD	1997	102	139	06.08-02.14	■
2.0 4x4 (MR20DE)		Gasolina	4WD	1997	104	141	06.07-11.13	■
2.0 FWD (MR20DE)		Gasolina	FWD	1997	104	141	03.07-11.13	■
2.0 4x4 (MR20DE)		Gasolina	4WD	1998	103	140	06.08-11.13	■
2.0 FWD (MR20DE)		Gasolina	FWD	1998	103	140	06.08-11.13	■
2.5 4x4		Gasolina	4WD	2488	122	166	01.08-11.13	■
2.5		Gasolina	FWD	2488	124	169	09.07-11.13	■
2.5 4x4 (QR25DE)		Gasolina	4WD	2488	124	169	06.07-11.13	■
2.5		Gasolina	FWD	2488	125	170	09.07-07.14	■
2.5 4x4 (QR25DE)		Gasolina	4WD	2488	132	180	09.07-07.14	■
2.0 dCi (M9R)		Diesel	FWD	1995	110	150	06.07-11.13	■

LISTA DE APLICACIONES - BUYERS GUIDE

2.0 dCi 4x4 (M9R)		Diesel	4WD	1995	110	150	06.07-11.13	■
2.0 dCi 4x4 (M9R 760)		Diesel	4WD	1995	127	173	06.07-11.13	■
2.0 dCi 4x4 (M9R 760)		Diesel	4WD	1995	130	177	10.09-11.13	■
NISSAN (DFAC)								
X-TRAIL (T31) 11.08-12.14					SUV (Compact SUV-J Segment)			
2.0		Gasolina	4WD	1997	106	144	11.08-12.14	■
2.5		Gasolina	4WD	2488	135	184	11.08-12.14	■
PEUGEOT								
BIPPER (AA_) 02.08-					Box Body/MPV (LCVs-N1 Segment)			
1.3 HDi 75 (FHZ (F13DTE5))		Diesel	FWD	1248	55	75	10.10-	■
RENAULT								
KOLEOS (HY_) 09.08-					SUV (Compact SUV-J Segment)			
2.5 (HY0C, HY0N) (2TR 700)		Gasolina	FWD	2488	126	171	09.08-	■
2.5 (HY0C, HY0N) (2TR 702)		Gasolina	FWD	2488	126	171	09.08-	■
2.5 (HY0C, HY0N) (2TR 703)		Gasolina	FWD	2488	126	171	09.08-	■
2.5 4x4 (HY0C, HY0N) (2TR 700)		Gasolina	4WD	2488	126	171	09.08-	■
2.5 4x4 (HY0C, HY0N) (2TR 702)		Gasolina	4WD	2488	126	171	09.08-	■
2.5 4x4 (HY0C, HY0N) (2TR 703)		Gasolina	4WD	2488	126	171	09.08-	■
2.0 dCi (HY0K) (M9R 855)		Diesel	FWD	1995	110	150	09.08-	■
2.0 dCi (HY0K) (M9R 856)		Diesel	FWD	1995	110	150	09.08-	■
2.0 dCi (HY0K) (M9R 862)		Diesel	FWD	1995	110	150	09.08-	■
2.0 dCi (HY0K) (M9R 865)		Diesel	FWD	1995	110	150	09.08-	■
2.0 dCi (HY0K) (M9R 866)		Diesel	FWD	1995	110	150	09.08-	■
2.0 dCi 4x4 (HY0K) (M9R 832)		Diesel	4WD	1995	110	150	09.08-	■
2.0 dCi 4x4 (HY0K) (M9R 833)		Diesel	4WD	1995	110	150	09.08-	■
2.0 dCi 4x4 (HY0K) (M9R 834)		Diesel	4WD	1995	110	150	09.08-	■
2.0 dCi 4x4 (HY0K) (M9R 835)		Diesel	4WD	1995	110	150	09.08-	■
2.0 dCi 4x4 (HY0K) (M9R 836)		Diesel	4WD	1995	110	150	09.08-	■
2.0 dCi 4x4 (HY0K) (M9R 838)		Diesel	4WD	1995	110	150	09.08-	■
2.0 dCi 4x4 (HY0K) (M9R 850)		Diesel	4WD	1995	110	150	09.08-	■
2.0 dCi 4x4 (HY0K) (M9R 855)		Diesel	4WD	1995	110	150	09.08-	■
2.0 dCi 4x4 (HY0K) (M9R 856)		Diesel	4WD	1995	110	150	09.08-	■
2.0 dCi 4x4 (HY0K) (M9R 862)		Diesel	4WD	1995	110	150	09.08-	■
2.0 dCi 4x4 (HY0K) (M9R 865)		Diesel	4WD	1995	110	150	09.08-	■
2.0 dCi 4x4 (HY0K) (M9R 866)		Diesel	4WD	1995	110	150	09.08-	■
2.0 dCi		Diesel	RWD	1995	130	177	09.08-	■
KOLEOS II (HC_) 04.16-					SUV (Compact SUV-J Segment)			
2.0 TCe (M5R 402)		Gasolina	FWD	1997	107	145	04.16-	■
2.0 dCi 175 (HCAK) (M9R 868)		Diesel	FWD	1995	130	177	04.16-	■
2.0 BLUE DCI 185 (HCAN)		Diesel	FWD	1997	135	184	01.20-	■
2.0 BLUE DCI 185 4WD (HCAN)		Diesel	4WD	1997	135	184	01.20-	■
2.0 BLUE dCi 190 4WD (HCAN) (M9R 730)		Diesel	4WD	1997	140	190	06.19-	■
SAMSUNG								
QM5 12.06-					SUV (Compact SUV-J Segment)			
2.0 dCi		Diesel	FWD	1995	110	150	12.06-	■
2.0 dCi (M9R 760)		Diesel	FWD	1995	127	173	12.06-	■
TOYOTA								
ALPHARD II (_H2_) 04.08-12.15					MPV (Large MPV-M1 Segment)			
2.4 (ANH20W) (2AZ-FE)		Gasolina	FWD	2362	123	167	04.08-12.14	■

LISTA DE APLICACIONES - BUYERS GUIDE

2.4 (ANH20W, ANH20) (2AZ-FE)	Gasolina	FWD	2362	125	170	05.08-12.14
2.4 4WD (ANH25W) (2AZ-FE)	Gasolina	4WD	2362	125	170	05.08-12.14
3.5 (GGH20W) (2GR-FE)	Gasolina	FWD	3456	202	275	04.08-12.14
3.5 (GGH20W, GGH20) (2GR-FE)	Gasolina	FWD	3456	206	280	04.08-12.14
3.5 4WD (GGH25W) (2GR-FE)	Gasolina	4WD	3456	206	280	04.08-12.14

