

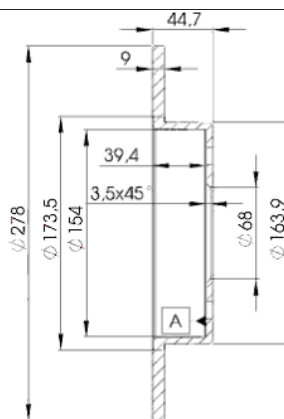
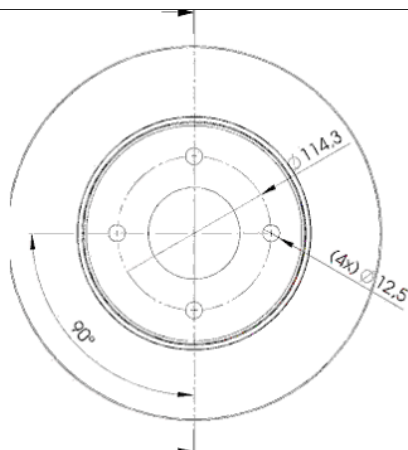
LISTA DE APLICACIONES - BUYERS GUIDE

78BD2083-2



Weight: 8.580

O.E.M.	MAKE
43206-99J04	NISSAN



78BD2083-2

E1 90R-02C0100/0717



Ø278x9x44.7

MAKE
NISSAN



Trac.	CC	Kw	CV
-------	----	----	----



Front / Rear

NISSAN

PRIMERA II (P11) 06.96-07.02								Hatchback (Large family car-D Segment)	
1.6 16V (GA16DE)	vehicles with ABS	Gasolina	FWD	1597	73	99	09.96-07.02		■
1.8 16V (QG18DE)	vehicles with ABS	Gasolina	FWD	1769	84	114	08.99-07.02		■
2.0 16V (SR20DE)		Gasolina	FWD	1998	103	140	08.99-07.02		■
1.6 16V LPG		Gasol./Gas (LPG)	FWD	1597	78	106	09.00-07.02		■
1.8 16V LPG		Gasol./Gas (LPG)	FWD	1769	84	114	08.99-07.02		■
2.0 16V LPG		Gasol./Gas (LPG)	FWD	1998	96	131	09.96-07.02		■
2.0 TD (CD20T)	vehicles with ABS	Diesel	FWD	1974	66	90	09.96-07.02		■
PRIMERA II (P11) 06.96-07.02								Saloon (Large family car-D Segment)	
1.8 16V (QG18DE)	vehicles with ABS	Gasolina	FWD	1769	84	114	08.99-12.01		■
2.0 16V (SR20DE)		Gasolina	FWD	1998	103	140	08.99-12.01		■
2.0 16V (SR20DE)		Gasolina	FWD	1998	105	143	06.96-12.01		■
1.8 LPG		Gasol./Gas (LPG)	FWD	1769	84	114	08.99-12.01		■
2.0 TD (CD20T)	vehicles with ABS	Diesel	FWD	1974	66	90	09.96-12.01		■
PRIMERA II Traveller (WP11) 06.96-01.02								Estate (Large family car-D Segment)	
1.6 16V (GA16DE)		Gasolina	FWD	1597	73	99	04.98-12.01		■
1.8 16V (QG18DE)		Gasolina	FWD	1769	84	114	08.99-12.01		■
2.0 16V (SR20DE)		Gasolina	FWD	1998	96	131	04.98-12.01		■
2.0 16V (SR20DE)		Gasolina	FWD	1998	103	140	08.99-12.01		■
1.8 16V LPG		Gasol./Gas (LPG)	FWD	1769	84	114	08.99-12.01		■
2.0 TD (CD20T)		Diesel	FWD	1974	66	90	04.98-12.01		■

LISTA DE APLICACIONES - BUYERS GUIDE