

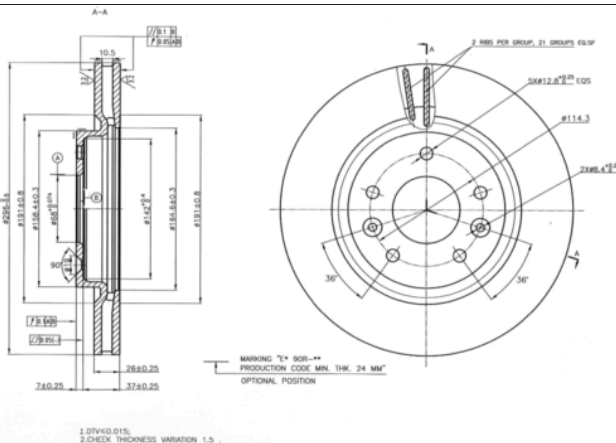
LISTA DE APLICACIONES - BUYERS GUIDE

78BD2089-2



Weight: 15.040

O.E.M.	MAKE
402060Q3F	NISSAN
402064BA0A	NISSAN
402064BT0A	NISSAN
402064BT0B	NISSAN
402064EA0A	NISSAN
402064EA0B	NISSAN
402065HA0A	RENAULT
402066624R	RENAULT
D02064BA0ARV	NISSAN
D02064BA0AVA	NISSAN
D02064CL0A	NISSAN



78BD2089-2

E1 90R-02C0452/0127



Ø296x26x44

MAKE
NISSAN
NISSAN (DFAC)
RENAULT



Trac.	CC	Kw	CV
-------	----	----	----



Front / Rear

NISSAN

							Hatchback (Executive car-E Segment)	
LEAF (ZE0) 11.10-								
Electric (EM57)		Eléctrico	FWD		80	109	11.10-12.17	■
Electric (EM61)		Eléctrico	FWD		80	109	11.10-12.17	■
QASHQAI II SUV (J11, J11_) 11.13-							SUV (Compact SUV-J Segment)	
1.2 DIG-T (HRA2DDT)		Gasolina	FWD	1197	85	116	11.13-08.18	■
1.3 DIG-T (HR13DDT)		Gasolina	FWD	1332	103	140	08.18-09.20	■
1.3 DIG-T		Gasolina	FWD	1332	116	158	10.20-04.21	■
1.3 DIG-T (HR13DDT)		Gasolina	FWD	1332	118	160	08.18-09.20	■
1.6 DIG-T (MR16DDT)		Gasolina	FWD	1618	120	163	02.14-08.18	■
2.0 (MR20DD)		Gasolina	FWD	1997	103	140	01.15-04.21	■
2.0 ALL MODE 4x4-i		Gasolina	4WD	1997	103	140	01.15-04.21	■
2.0 (MR20DD)		Gasolina	FWD	1997	104	141	07.17-04.21	■
2.0 ALL MODE 4x4-i		Gasolina	4WD	1997	104	141	07.17-04.21	■
2.0 (J11E) (MR20DD)		Gasolina	FWD	1997	106	144	06.14-04.21	■
2.0 ALL MODE 4x4-i (J11R) (MR20DD)		Gasolina	4WD	1997	106	144	12.13-04.21	■
1.5 dCi (K9K 636)		Diesel	FWD	1461	81	110	11.13-08.18	■
1.5 dCi (K9K 646)		Diesel	FWD	1461	81	110	11.13-08.18	■
1.5 dCi (K9K 872)		Diesel	FWD	1461	85	116	06.18-09.20	■
1.5 dCi (L15BR)		Diesel	FWD	1461	85	116	06.18-09.20	■
1.6 dCi (R9M)		Diesel	FWD	1598	96	130	11.13-08.18	■
1.6 dCi ALL MODE 4x4-i (R9M)		Diesel	4WD	1598	96	130	11.13-08.18	■
1.7 dCi (R9N 401)		Diesel	FWD	1749	110	150	01.19-09.20	■
1.7 dCi ALL MODE 4x4-i (R9N 401)		Diesel	4WD	1749	110	150	01.19-09.20	■

LISTA DE APLICACIONES - BUYERS GUIDE

QASHQAI II VAN (J11_) 11.13-					SUV Van (Compact SUV-J Segment)			
1.5 dCi		Diesel	FWD	1461	81	110	05.15-08.18	■
1.5 dCi		Diesel	FWD	1461	85	116	06.18-09.20	■
X-TRAIL III / ROGUE II (T32) 10.13-					SUV Van (Compact SUV-J Segment)			
dCi		Diesel	FWD	1598	96	131	04.14-	■
dCi 4x4		Diesel	4WD	1598	96	131	04.14-	■
X-TRAIL III / ROGUE II (T32_, T32R, T32RR) 10.13-					SUV (Compact SUV-J Segment)			
1.3 DIG-T		Gasolina	FWD	1332	116	158	06.21-	■
1.3 DIG-T (HR13DDT)		Gasolina	FWD	1332	118	160	04.19-	■
1.6 DIG-T (T32) (MR16DDT)		Gasolina	FWD	1618	120	163	06.15-	■
2.0 (T32)		Gasolina	FWD	1997	104	141	09.14-	■
2.0		Gasolina	FWD	1997	106	144	12.14-	■
2.0 (T32) (MR20DD)		Gasolina	FWD	1997	106	144	02.14-	■
2.0 ALL MODE 4x4-i		Gasolina	4WD	1997	106	144	12.14-	■
2.0 ALL MODE 4x4-i (NT32) (MR20DD)		Gasolina	4WD	1997	106	144	09.14-	■
2.0 (T32)		Gasolina	FWD	1997	108	147	12.13-	■
2.0 ALL MODE 4x4-i (NT32)		Gasolina	4WD	1997	108	147	12.13-	■
2.5 (T32) (QR25DE)		Gasolina	FWD	2488	124	169	01.15-	■
2.5 ALL MODE 4x4-i (NT32) (QR25DE)		Gasolina	4WD	2488	124	169	10.14-	■
2.5 (T32) (QR25DE)		Gasolina	FWD	2488	126	171	12.13-	■
2.5 ALL MODE 4x4-i		Gasolina	4WD	2488	126	171	04.16-	■
2.5 ALL MODE 4x4-i (NT32) (QR25DE)		Gasolina	4WD	2488	126	171	12.13-	■
2.5 ALL MODE 4x4-i		Gasolina	4WD	2488	127	170	10.13-	■
2.0 Flexfuel (T32) (MR20DD)		Gasol./Etanol	FWD	1997	106	144	09.14-	■
2.0 Flexfuel ALL MODE 4x4-i (MR20DD)		Gasol./Etanol	4WD	1997	106	144	02.14-	■
2.0 Flexfuel ALL MODE 4x4-i		Gasol./Etanol	4WD	1997	106	144	12.14-	■
2.5 Flexfuel ALL MODE 4x4-i (NT32) (QR25DE)		Gasol./Etanol	4WD	2488	126	171	02.14-	■
2.5 Flexfuel ALL MODE 4x4-i (NT32)		Gasol./Etanol	4WD	2488	126	171	12.14-	■
2.0 Hybrid (MR20DD)		Gasol./eléc.	FWD	1997	132	180	09.14-	■
2.0 Hybrid ALL MODE 4x4-i (HNT32) (MR20DD)		Gasol./eléc.	4WD	1997	132	180	09.14-	■
2.0 Hybrid (HT32)		Gasol./eléc.	FWD	1997	138	188	11.16-	■
2.0 Hybrid ALL MODE 4x4-i (HNT32)		Gasol./eléc.	4WD	1997	138	188	11.16-	■
1.6 dCi		Diesel	FWD	1598	96	130	12.14-	■
1.6 dCi (T32) (R9M)		Diesel	FWD	1598	96	130	04.14-	■
1.6 dCi ALL MODE 4x4-i		Diesel	4WD	1598	96	130	04.16-	■
1.6 dCi ALL MODE 4x4-i (NT32) (R9M)		Diesel	4WD	1598	96	130	04.14-	■
NISSAN (DFAC)								
QASCHQAI (J10) 12.07-					SUV (Compact SUV-J Segment)			
1.2 T		Gasolina	FWD	1197	86	117	10.15-	■
2.0		Gasolina	FWD	1997	110	150	10.15-	■
RENAULT								
KADJAR (HA_, HL_) 06.15-					SUV (Compact SUV-J Segment)			
1.2 TCe 130 (HLMR) (H5F 408)		Gasolina	FWD	1197	96	130	06.15-	■
1.3 TCe 140 (HLNB, HLN1) (H5H 470)		Gasolina	FWD	1332	103	140	08.18-	■
1.3 TCe 160 (HLN2)		Gasolina	FWD	1332	116	158	07.21-	■

LISTA DE APLICACIONES - BUYERS GUIDE

1.3 TCe 160 (HLNC) (H5H 470)	Gasolina	FWD	1332	117	160	08.18-	■	
1.6 TCe 165 (HLMH)	Gasolina	FWD	1618	120	163	11.16-	■	
1.5 dCi 110 (HLA3) (K9K 646)	Diesel	FWD	1461	81	110	06.15-	■	
1.5 dCi 110 (HLA3) (K9K 647)	Diesel	FWD	1461	81	110	06.15-	■	
1.5 dCi 110 (HLA3) (K9K 648)	Diesel	FWD	1461	81	110	06.15-	■	
1.5 dCi 110 (HLA3) (K9K 649)	Diesel	FWD	1461	81	110	06.15-	■	
1.5 BLUE dCi 115 (HLA6) (K9K 872)	Diesel	FWD	1461	85	116	08.18-	■	
1.5 BLUE dCi 115 (HLA6) (K9K 873)	Diesel	FWD	1461	85	116	08.18-	■	
1.6 dCi 130 (HLA4) (R9M 414)	Diesel	FWD	1598	96	130	06.15-	■	
1.6 dCi 130 4x4 (HLA4) (R9M 414)	Diesel	4WD	1598	96	130	06.15-	■	
1.7 Blue dCi 150 (HLA7) (R9N 401)	Diesel	FWD	1749	110	150	08.18-	■	
1.7 Blue dCi 150 4WD (HLA7) (R9N 401)	Diesel	4WD	1749	110	150	08.18-	■	
KOLEOS II (HC_) 04.16-					SUV (Compact SUV-J Segment)			
1.3 TCe 160 (HCN2) (H5H 470)	Gasolina	FWD	1332	116	158	07.20-	■	
2.0 TCe (M5R 402)	Gasolina	FWD	1997	107	145	04.16-	■	
2.5 Sce	Gasolina	FWD	2488	126	170	04.16-	■	
2.5 Sce 4WD	Gasolina	4WD	2488	126	171	04.16-	■	
1.6 dCi 130 (R9M 409)	Diesel	FWD	1598	96	130	04.16-	■	
1.6 dCi 130 (R9M 414)	Diesel	FWD	1598	96	130	04.16-	■	
2.0 dCi 175 4WD (M9R 868)	Diesel	4WD	1995	130	177	04.16-	■	