

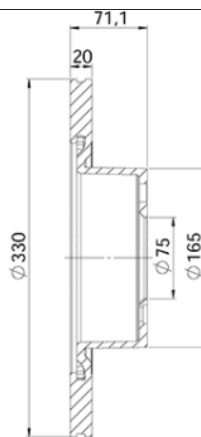
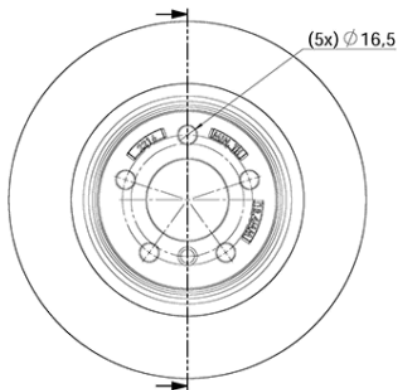
LISTA DE APLICACIONES - BUYERS GUIDE

78BD2216-2



Weight: 15.652

| O.E.M. | MAKE |
|-----------------|------|
| 34 20 6 790 362 | BMW |
| 34 20 6 868 936 | BMW |
| 34206886482 | BMW |
| 6790362 | BMW |
| 6868936 | BMW |
| 6886482 | BMW |



78BD2216-2



Ø330x20x71.1

| MAKE |
|------|
| BMW |



| Trac. | CC | Kw | CV |
|-------|----|----|----|
|-------|----|----|----|



Front / Rear

BMW

| BMW | | | | | Convertible (Compact executive car-D Segment) | | | |
|-------------------------------------|----------|-----|------|-----|---|-------------|---|--|
| 3 Serie IV (E46) 04.00-12.07 | | | | | | | | |
| M3 (S54 B32 (326S4)) | Gasolina | RWD | 3246 | 252 | 343 | 03.01-08.06 | ■ | |
| X3 II (F25) 09.10- | | | | | SUV (Luxury Crossover SUV-J Segment) | | | |
| sDrive20i (N20 B16 A) | Gasolina | RWD | 1592 | 125 | 170 | 04.14-08.17 | ■ | |
| xDrive20i | Gasolina | FWD | 1995 | 110 | 150 | 04.13- | ■ | |
| sDrive20i (N20 B20 A) | Gasolina | RWD | 1997 | 135 | 184 | 04.14-08.17 | ■ | |
| xDrive20i (N20 B20 A) | Gasolina | 4WD | 1997 | 135 | 184 | 10.11-08.17 | ■ | |
| xDrive28i (N20 B20 A) | Gasolina | 4WD | 1997 | 180 | 245 | 04.12-08.17 | ■ | |
| xDrive 35 i (N55 B30 A) | Gasolina | 4WD | 2979 | 225 | 306 | 09.10-08.17 | ■ | |
| xDrive28i (N52 B30 A) | Gasolina | 4WD | 2996 | 190 | 258 | 01.11-10.12 | ■ | |
| xDrive28i (N52 B30 AF) | Gasolina | 4WD | 2996 | 190 | 258 | 01.11-10.12 | ■ | |
| xDrive28i (N52 B30 BF) | Gasolina | 4WD | 2996 | 190 | 258 | 01.11-10.12 | ■ | |
| sDrive 18 d (N47 D20 C) | Diesel | RWD | 1995 | 100 | 136 | 10.12-03.14 | ■ | |
| sDrive 18 d (N47 D20 C) | Diesel | RWD | 1995 | 105 | 143 | 10.12-03.14 | ■ | |
| sDrive 18 d (B47 D20 A) | Diesel | RWD | 1995 | 110 | 150 | 04.14-08.17 | ■ | |
| xDrive 20 d (N47 D20 C) | Diesel | 4WD | 1995 | 120 | 163 | 09.10-08.17 | ■ | |
| xDrive 20 d (N47 D20 C) | Diesel | 4WD | 1995 | 135 | 184 | 09.10-03.14 | ■ | |
| xDrive 20 d (B47 D20 A) | Diesel | 4WD | 1995 | 140 | 190 | 04.14-08.17 | ■ | |
| xDrive 30 d (N57 D30 A) | Diesel | 4WD | 2993 | 190 | 258 | 04.11-08.17 | ■ | |
| xDrive 30 d (N57 D30 A) | Diesel | 4WD | 2993 | 210 | 286 | 04.11-05.16 | ■ | |
| xDrive 35 d (N57 D30 B) | Diesel | 4WD | 2993 | 230 | 313 | 10.11-08.17 | ■ | |
| X4 (F26) 05.13- | | | | | SUV (Luxury Crossover SUV-J Segment) | | | |
| xDrive20i (N20 B20 A) | Gasolina | 4WD | 1997 | 135 | 184 | 04.14-03.18 | ■ | |

LISTA DE APLICACIONES - BUYERS GUIDE

| | | | | | | | |
|-------------------------|----------|-----|------|-----|-----|-------------|---|
| xDrive28i (N20 B20 A) | Gasolina | 4WD | 1997 | 179 | 243 | 04.14-03.18 | ■ |
| xDrive28i (N20 B20 A) | Gasolina | 4WD | 1997 | 180 | 245 | 04.14-03.18 | ■ |
| xDrive 35 i (N55 B30 A) | Gasolina | 4WD | 2979 | 225 | 306 | 04.14-03.18 | ■ |
| M40 i (N55 B30 A) | Gasolina | 4WD | 2979 | 265 | 360 | 12.15-03.18 | ■ |
| xDrive 20 d (B47 D20 A) | Diesel | 4WD | 1995 | 140 | 190 | 04.14-03.18 | ■ |
| xDrive 30 d (N57 D30 A) | Diesel | 4WD | 2993 | 155 | 211 | 04.14-03.18 | ■ |
| xDrive 30 d (N57 D30 A) | Diesel | 4WD | 2993 | 183 | 249 | 04.15-03.18 | ■ |
| xDrive 30 d (N57 D30 A) | Diesel | 4WD | 2993 | 190 | 258 | 04.14-03.18 | ■ |
| xDrive 30 d (N57 D30 A) | Diesel | 4WD | 2993 | 204 | 277 | 04.14-03.18 | ■ |
| xDrive 30 d (N57 D30 A) | Diesel | 4WD | 2993 | 210 | 286 | 04.14-03.18 | ■ |
| xDrive 35 d (N57 D30 B) | Diesel | 4WD | 2993 | 230 | 313 | 04.14-03.18 | ■ |