

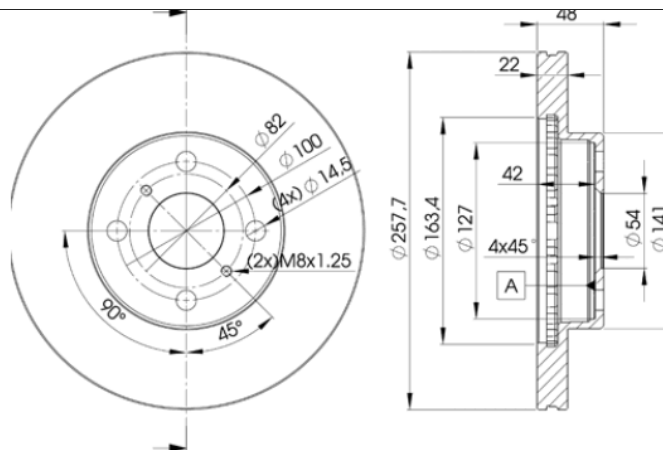
LISTA DE APLICACIONES - BUYERS GUIDE

78BD2490-2



Weight: 10.310

O.E.M.	MAKE
4351201020	TOYOTA
4351212260	TOYOTA
4351212270	TOYOTA
4351212310	TOYOTA
4351212460	TOYOTA
43512-12490	TOYOTA
4351212510	TOYOTA
4351213010	TOYOTA
4351220240	TOYOTA
4351220310	TOYOTA



78BD2490-2

E1 90R-02C0074/0061



Ø257.7x22x48

MAKE
TOYOTA



	Trac.	CC	Kw	CV			Front / Rear
--	-------	----	----	----	--	--	--------------

TOYOTA

COROLLA VI LEVIN (E9_) 05.89-05.91							Coupe (Compact executive car-D Segment)	
1.5 (AE91) (5A-FE)		Gasolina	FWD	1498	69	94	05.89-05.91	■
COROLLA VI (E9_) 05.87-04.97							Hatchback (Compact executive car-D Segment)	
1.6 (AE92) (4A-F)		Gasolina	FWD	1587	66	90	08.87-04.92	■
1.6 (AE92) (4A-F)		Gasolina	FWD	1587	70	95	08.87-04.92	■
1.6 (AE92) (4A-FE)		Gasolina	FWD	1587	77	105	08.89-04.92	■
1.6 GTi (AE92_, AE92R) (4A-GE)		Gasolina	FWD	1587	92	125	07.87-06.93	■
COROLLA VI (E9_) 05.87-09.99							Saloon (Compact executive car-D Segment)	
1.5 (AE91) (5A-FE)		Gasolina	FWD	1496	92	125	11.89-04.92	■
1.5 (AE91) (5A-FE)		Gasolina	FWD	1498	69	94	05.88-06.91	■
1.6 GL 4WD (AE95) (4A-F)		Gasolina	4WD	1587	70	95	10.87-08.90	■
1.6 i (AE92) (4A-FE)		Gasolina	FWD	1587	77	105	05.87-05.92	■
1.6 i 4WD (AE92_, AE92R) (4A-FE)		Gasolina	4WD	1587	77	105	10.87-08.90	■
1.6 (AE92) (4A-GE)		Gasolina	FWD	1587	85	116	05.87-04.94	■
COROLLA VI Compact (E9_) 05.87-10.95							Hatchback (Compact executive car-D Segment)	
1.3 (EE90) (2E)		Gasolina	FWD	1296	55	75	08.87-04.92	■
1.3 (EE90) (2E-E)		Gasolina	FWD	1296	55	75	08.87-04.92	■
1.6 (AE92) (4A-F)		Gasolina	FWD	1587	66	90	08.87-04.92	■
1.6 (AE92) (4A-F)		Gasolina	FWD	1587	70	95	09.89-04.92	■
1.6 i (AE92) (4A-FE)		Gasolina	FWD	1587	77	105	08.89-04.92	■
1.6 GTi (AE92, AE93) (4A-GE)		Gasolina	FWD	1587	85	116	08.87-10.94	■

LISTA DE APLICACIONES - BUYERS GUIDE

COROLLA VI Station Wagon (_E9_) 05.87-10.95					Estate (Compact executive car-D Segment)			
1.3 (EE90_, EE90R) (2E)	Gasolina	FWD	1295	60	81	05.87-04.92	■	
1.6 (AE92) (4A-F)	Gasolina	FWD	1587	66	90	02.88-05.92	■	
1.6 (AE92) (4A-F)	Gasolina	FWD	1587	70	95	05.87-04.92	■	
1.6 4WD (AE95) (4A-FE)	Gasolina	4WD	1587	77	105	04.88-10.95	■	
1.6 XLI (AE92_, AE92R) (4A-FE)	Gasolina	FWD	1587	77	105	11.89-06.92	■	
1.6 XLI 4WD (4A-FE)	Gasolina	4WD	1587	81	110	08.89-07.95	■	
CORONA IX (_T17_) 11.87-09.93					Saloon (Large family car-D Segment)			
1.5 (AT170_, AT170) (5A-F)	Gasolina	FWD	1498	85	116	11.87-08.89	■	
1.5 (AT170_, AT170) (5A-FE)	Gasolina	FWD	1498	92	125	11.87-08.89	■	
1.8 (ST180_, ST181_, ST180, ST181) (4S-FE)	Gasolina	FWD	1838	85	116	11.89-02.92	■	
2.0 D (CT170) (2C)	Diesel	FWD	1974	54	73	12.87-01.92	■	
CORONA VIII EX (_T18_) 08.86-09.93					Saloon (Large family car-D Segment)			
1.8 (ST180_, ST181_, ST180, ST181) (4S-FE)	Gasolina	FWD	1838	85	116	11.89-02.92	■	
CORONA X (_T19_) 02.92-09.97					Hatchback (Large family car-D Segment)			
1.8 (ST190) (4S-FE)	Gasolina	FWD	1838	92	125	02.92-01.96	■	