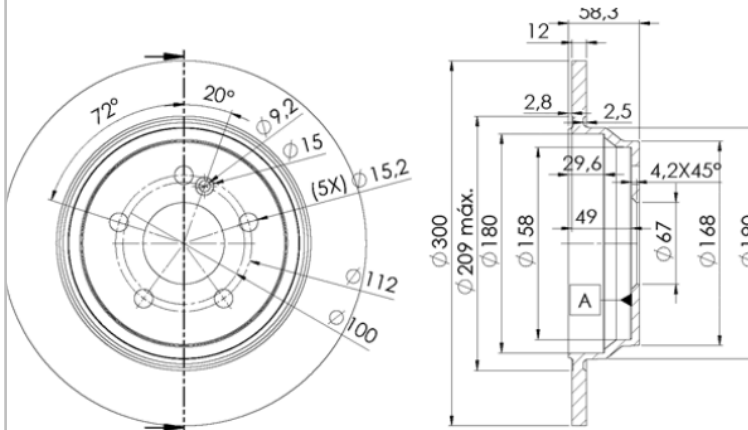


LISTA DE APLICACIONES - BUYERS GUIDE

78BD2591-1



Weight: 5.764



78BD2591-1

E1 90R-02C0453/0099



Ø300x12x58.3

MAKE
MERCEDES-BENZ

O.E.M.	MAKE
2,21423E+11	MERCEDES-BENZ
221 423 07 12	MERCEDES-BENZ
2214231112	MERCEDES-BENZ
2304231412	MERCEDES-BENZ
A2214230712	MERCEDES-BENZ
A2214231112	MERCEDES-BENZ
A22142311207	MAFERSA
A2304231412	MERCEDES-BENZ



Trac.	CC	Kw	CV
-------	----	----	----



Front / Rear

MERCEDES-BENZ

S-Class V (W221, V221) 09.05-12.17

Saloon (Luxury car-F Segment)

S 350 (221.056, 221.156) (M 272.965)		Gasolina	RWD	3498	200	272	10.05-12.13	■
S 350 4-matic (221.087, 221.187) (M 272.975)		Gasolina	4WD	3498	200	272	02.08-12.13	■
S 350 CGI (221.057, 221.157) (M 276.950)	not sports package	Gasolina	RWD	3498	225	306	04.11-12.13	■
S 350 CGI 4-matic (221.082, 221.182) (M 276.950)	not sports package	Gasolina	4WD	3498	225	306	04.11-12.13	■
S 400 Hybrid (221.095, 221.195) (M 272.974)		Gasol./el éc.	RWD	3498	205	279	01.09-12.13	■
S 400 Hybrid		Gasol./el éc.	RWD	3498	220	299	09.09-12.13	■
S 250 CDI (221.003, 221.103) (OM 651.961)	not sports package	Diesel	RWD	2143	150	204	01.11-12.13	■
S 320 CDI (221.122, 221.022) (OM 642.930)		Diesel	RWD	2987	155	211	10.05-12.13	■
S 320 CDI 4-matic (221.080, 221.180) (OM 642.932)		Diesel	4WD	2987	155	211	10.05-12.13	■
S 320 CDI (221.022, 221.122) (OM 642.930)		Diesel	RWD	2987	173	235	12.05-06.09	■
S 320 CDI 4-matic (221.080, 221.180) (OM 642.932)		Diesel	4WD	2987	173	235	10.06-12.13	■
S 350 BlueTEC 4-matic (222.133) (OM 642.868)	not sports package	Diesel	4WD	2987	190	258	04.11-12.13	■

SL-Class IV (R230) 10.01-12.13

Convertible (Grand Tourer-S Segment)

280 (230.454) (M 272.949)	not sports package	Gasolina	RWD	2996	170	231	03.08-01.12	■
300 (230.454) (M 272.949)	not sports package	Gasolina	RWD	2996	170	231	04.09-01.12	■
350 (230.456) (M 272.966)	not sports package	Gasolina	RWD	3498	200	272	03.06-01.12	■
65 AMG (230.479) (M 275.981)		Gasolina	RWD	5980	450	612	03.04-01.12	■