

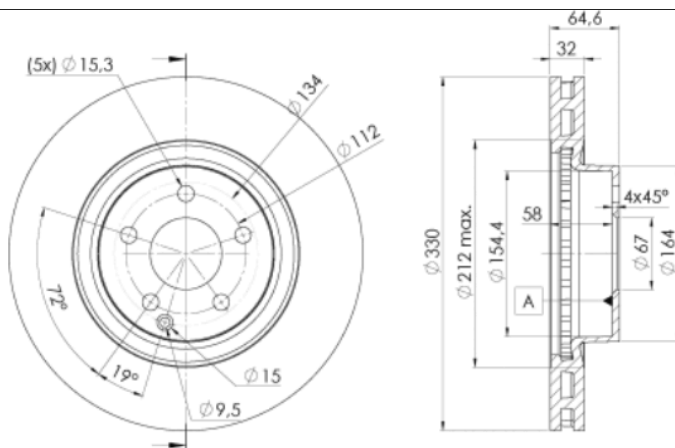
LISTA DE APLICACIONES - BUYERS GUIDE

78BD2593-2



Weight: 22.440

O.E.M.	MAKE
2,04421E+11	MERCEDES-BENZ
204 421 13 12	MERCEDES-BENZ
204 421 14 12	MERCEDES-BENZ
204 421 29 12	MERCEDES-BENZ
A204421000007	MERCEDES-BENZ



78BD2593-2

E1 90R-02C0074/1445



Ø330x32x64.5

MAKE
MERCEDES-BENZ



Trac.	CC	Kw	CV
-------	----	----	----



Front / Rear

MERCEDES-BENZ

C-Class III (C204) 01.11-						Coupe (Compact executive car-D Segment)			
C 350 4-matic (204.388) (M 276.957)		Gasolina	4WD	3498	225	306	09.13-		■
C-Class III T-Model (S204) 08.07-08.14						Estate (Compact executive car-D Segment)			
C 300 (204.254) (M 272.947)		Gasolina	RWD	2996	170	231	08.07-08.14		■
C 350 CDI (204.225) (OM 642.830)		Diesel	RWD	2987	165	224	08.07-08.14		■
C 350 CDI 4-matic (204.292) (OM 642.961)		Diesel	4WD	2987	165	224	08.07-12.11		■
C 300 CDI 4-matic (204.292) (OM 642.832)		Diesel	4WD	2987	170	231	06.11-08.14		■
CLS-Class (C219) 10.04-12.12						Coupe (Executive car-E Segment)			
CLS 280 (219.354) (M 272.943)	-10/10	Gasolina	RWD	2996	170	231	07.08-12.10		■
CLS 300 (219.354) (M 272.943)	-10/10	Gasolina	RWD	2996	170	231	04.09-12.10		■
CLS 350 (219.356) (M 272.964)	-10/10	Gasolina	RWD	3498	200	272	10.04-12.10		■
CLS 350 (219.357) (M 272.985)	-10/10	Gasolina	RWD	3498	215	292	04.06-12.10		■
CLS 350 CGI (219.357)	-10/10	Gasolina	RWD	3498	215	292	04.09-12.10		■
CLS 500 (219.375) (M 113.967)	-10/10	Gasolina	RWD	4966	225	306	10.04-12.10		■
CLS 500 (219.372) (M 273.960)		Gasolina	RWD	5461	285	388	04.06-12.10		■
CLS 350 CDI (219.322) (OM 642.920)		Diesel	RWD	2987	200	272	04.09-12.10		■
E-Class III (VF211) 03.03-07.09						Platform/Chassis (LCVs-N1 Segment)			
E 220 CDI (211.606) (OM 646.961)		Diesel	RWD	2148	110	150	10.03-07.06		■
E 220 CDI (211.608) (OM 646.821)		Diesel	RWD	2148	125	170	04.06-07.09		■
E 270 CDI (211.616) (OM 647.961)		Diesel	RWD	2685	120	163	03.03-07.09		■
E 270 CDI (211.616) (OM 647.961)		Diesel	RWD	2685	130	177	10.03-07.05		■
E 280 CDI (211.620) (OM 642.920)		Diesel	RWD	2987	140	190	08.05-07.09		■

LISTA DE APLICACIONES - BUYERS GUIDE

E-Class III (W211) 03.02-03.09						Saloon (Executive car-E Segment)			
E 320 (211.065) (M 112.949)		Gasolina	RWD	3199	165	224	03.02-12.08	■	
E 350 (211.056) (M 272.964)	not sports package, not AMG sports pack.	Gasolina	RWD	3498	200	272	03.05-12.08	■	
E 350 CGI (211.057) (M 272.985)	not sports package, not AMG sports pack.	Gasolina	RWD	3498	215	292	09.07-12.08	■	
E 500 (211.070) (M 113.967)	-06/05, not sports package, not AMG sports pack.	Gasolina	RWD	4966	225	306	03.02-12.08	■	
E 280 CDI (211.020) (OM 642.920)	sports package	Diesel	RWD	2987	140	190	03.05-12.08	■	
E 300 BlueTEC (211.024) (OM 642.920)	sports package	Diesel	RWD	2987	155	211	09.07-12.08	■	
E320 CDI (211.022) (OM 642.920)		Diesel	RWD	2987	165	224	03.05-12.08	■	
E 400 CDI (211.028) (OM 628.961)	03/03-, -07/05	Diesel	RWD	3996	191	260	02.03-12.08	■	
E-Class III T-Model (S211) 02.03-07.09						Estate (Executive car-E Segment)			
E 350 T (211.256) (M 272.964)	not sports package, not AMG sports pack.	Gasolina	RWD	3498	200	272	03.05-07.09	■	
350 CGI (211.257) (M 272.985)	not sports package, not AMG sports pack.	Gasolina	RWD	3498	215	292	05.06-07.09	■	
E 500 T (211.270) (M 113.967)	not sports package, not AMG sports pack.	Gasolina	RWD	4966	225	306	10.03-07.09	■	
E 500 T 4-matic (211.283) (M 113.969)		Gasolina	4WD	4966	225	306	10.03-07.09	■	
E 270 T CDI (211.216) (OM 647.961)	-07/05	Diesel	RWD	2685	130	177	03.03-07.09	■	
E-Class IV (A207) 01.10-						Convertible (Executive car-E Segment)			
E 350 (207.456) (M 272.961)		Gasolina	RWD	3498	200	272	03.10-12.11	■	
E 350 (207.456) (M 272.988)		Gasolina	RWD	3498	200	272	03.10-12.11	■	
E 400 (207.461) (M 276.850)		Gasolina	RWD	3498	245	333	07.14-12.16	■	
E 220 CDI (207.402) (OM 651.911)		Diesel	RWD	2143	120	163	02.10-12.16	■	
E 220 BlueTEC (207.401) (OM 651.911)		Diesel	RWD	2143	130	177	05.14-12.16	■	
E-Class IV (C207) 01.09-						Coupe (Executive car-E Segment)			
E 400 (207.361) (M 276.850)		Gasolina	RWD	3498	245	333	07.14-12.16	■	
E 220 BlueTEC (207.301) (OM 651.911)		Diesel	RWD	2143	130	177	05.14-12.16	■	
E 350 BlueTEC / d (207.326) (OM 642.838)		Diesel	RWD	2987	190	258	05.14-12.16	■	
E-Class IV (W212) 01.09-						Saloon (Executive car-E Segment)			
E 180 (212.040) (M 274.910)		Gasolina	RWD	1595	115	156	08.13-12.15	■	
E 200 (212.034) (M 274.920)		Gasolina	RWD	1991	135	184	01.13-12.16	■	
E 250 (212.036) (M 274.920)		Gasolina	RWD	1991	155	211	01.13-12.16	■	
E 250 (212.052)		Gasolina	RWD	2496	150	204	05.09-12.11	■	
E 300 (212.054) (M 272.952)		Gasolina	RWD	2996	170	231	01.09-12.13	■	
E 400 (212.065) (M 276.820)		Gasolina	RWD	2996	245	333	01.13-12.16	■	
E 400 4-matic (212.067) (M 276.820)		Gasolina	4WD	2996	245	333	01.13-12.16	■	
E 220 BlueTEC (212.001) (OM 651.924)		Diesel	RWD	2143	130	177	05.14-12.15	■	
E 350 CDI		Diesel	RWD	2987	157	214	09.10-12.15	■	
E-Class IV T-Model (S212) 08.09-						Estate (Executive car-E Segment)			
E 400 (212.265) (M 276.820)		Gasolina	RWD	2996	245	333	01.13-12.16	■	
E 400 4-matic (212.267) (M 276.820)		Gasolina	4WD	2996	245	333	01.13-12.16	■	
E 400 4-matic (212.299) (M 276.850)		Gasolina	4WD	3498	245	333	07.14-12.16	■	
E 220 CDI (212.202) (OM 651.924)		Diesel	RWD	2143	120	163	08.09-08.14	■	
E 220 BlueTEC (212.201) (OM 651.924)		Diesel	RWD	2143	130	177	05.15-12.16	■	
E 300 CDI / BlueTEC (212.227, 212.221) (OM 642.850)		Diesel	RWD	2987	170	231	11.09-12.16	■	
E 300 CDI / BlueTEC (212.227, 212.221) (OM 642.852)		Diesel	RWD	2987	170	231	11.09-12.16	■	
GLK-Class (X204) 06.08-						SUV (Luxury Crossover SUV-J Segment)			
250 4-matic (204.937) (M 274.920)		Gasolina	4WD	1991	155	211	08.13-06.15	■	

LISTA DE APLICACIONES - BUYERS GUIDE

280 4-matic (204.981) (M 272.948)	09/08-	Gasolina	4WD	2996	170	231	06.08-06.09	■
300 4-matic (204.981) (M 272.948)		Gasolina	4WD	2996	170	231	07.09-12.15	■
300 4-matic (204.990) (M 276.957)		Gasolina	4WD	3498	182	248	09.09-12.15	■
300 4-matic (204.990) (M 276.957)		Gasolina	4WD	3498	185	252	09.09-06.15	■
350 (204.956) (M 272.991)		Gasolina	RWD	3498	200	272	04.09-06.15	■
350 4-matic (204.987) (M 272.971)	09/08-	Gasolina	4WD	3498	200	272	06.08-04.11	■
350 4-matic (204.988) (M 276.957)	09/08-	Gasolina	4WD	3498	225	306	06.08-06.15	■
200 CDI (204.901) (OM 651.916)		Diesel	RWD	2143	100	136	12.13-06.15	■
200 CDI (204.901) (OM 651.913)		Diesel	RWD	2143	105	143	07.10-06.15	■
200 CDI (204.901) (OM 651.916)		Diesel	RWD	2143	105	143	07.10-06.15	■
220 CDI (204.902) (OM 651.916)		Diesel	RWD	2143	120	163	12.08-06.15	■
220 CDI 4-matic (204.984, 204.997) (OM 651.912)		Diesel	4WD	2143	120	163	12.08-06.15	■
220 CDI (204.902) (OM 651.916)	04/09-	Diesel	RWD	2143	125	170	12.08-06.15	■
220 CDI 4-matic (204.984, 204.997) (OM 651.912)	04/09-	Diesel	4WD	2143	125	170	12.08-06.15	■
250 CDI 4-matic (204.982, 204.904) (OM 651.912)		Diesel	4WD	2143	150	204	09.09-06.15	■
320 CDI 4-matic (204.983) (OM 642.961)	09/08-	Diesel	4WD	2987	165	224	06.08-06.15	■
350 CDI 4-matic (204.993) (OM 642.832)		Diesel	4WD	2987	165	224	07.09-01.10	■
350 CDI 4-matic (204.993) (OM 642.832)		Diesel	4WD	2987	170	231	02.10-06.15	■
350 CDI 4-matic (204.993) (OM 642.835)		Diesel	4WD	2987	195	265	07.12-06.15	■