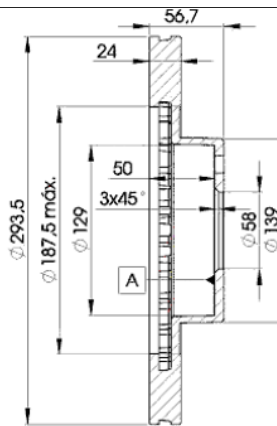
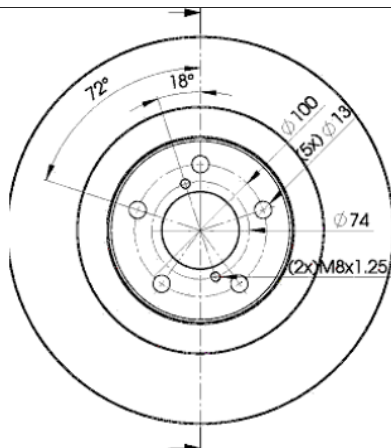


LISTA DE APLICACIONES - BUYERS GUIDE

78BD2630-2



Weight: 12.832



78BD2630-2

E1 90R-02C0452/0080



Ø293.5x24x56.6

MAKE

SCION
SUBARU
TOYOTA

O.E.M.	MAKE
23610AC040	SUBARU
26300AE02A	SUBARU
26300AE02C	SUBARU
26300-AE060	SUBARU
26300AE061	SUBARU
26300AG01A	SUBARU
26300FE010	SUBARU
26300FE011	SUBARU
26300FE040	SUBARU
26300SA000	SUBARU
26300-SA001	SUBARU
26310-AC040	SUBARU
26310-AC041	SUBARU
26700-AE030	SUBARU
32006171	SAAB
SU00300586	TOYOTA



Trac.	CC	Kw	CV
-------	----	----	----



Front / Rear

SCION

FR (U.S.A.) 09.11-

Coupe (Sports car-S Segment)

2.0 S	Gasolina	RWD	1998	149	203	09.12-	■
-------	----------	-----	------	-----	-----	--------	---

SUBARU

BAJA (U.S.A.) 09.02-12.06

Pickup (Pick-Up Truck)

2.5 AWD	Gasolina	4WD	2458	123	167	09.02-12.06	■
---------	----------	-----	------	-----	-----	-------------	---

BRZ (ZC6) 06.12-

Coupe (Sports car-S Segment)

2.0 (ZC6) (FA20D)	Gasolina	RWD	1998	147	200	06.12-	■
2.0 (ZC6)	Gasolina	RWD	1998	152	207	08.16-	■

FORESTER II (SG_, S11SG) 02.02-12.12

SUV (Compact SUV-J Segment)

2.0 S Turbo AWD (SG5) (EJ205)	Gasolina	4WD	1994	130	177	02.02-05.05	■
2.5 AWD (SG9)	Gasolina	4WD	2457	112	152	06.02-05.05	■
2.5 RX Nato AWD (SG9) (EJ25)	Gasolina	4WD	2457	115	156	11.02-12.08	■
2.5 AWD (SG9) (EJ25D)	Gasolina	4WD	2457	121	165	06.05-05.08	■
2.5 AWD (EJ253)	Gasolina	4WD	2457	129	175	01.05-10.12	■
2.5 AWD (EJ255)	Gasolina	4WD	2457	171	232	01.04-12.09	■
2.5 Prodrive Performance Pack AWD (EJ255)	Gasolina	4WD	2457	188	256	05.05-09.05	■

FORESTER III (SH_) 12.07-

SUV (Compact SUV-J Segment)

2.0 AWD (EJ204)	Gasolina	4WD	1994	118	160	10.10-12.14	■
2.0 AWD (SHJ) (FB20)	Gasolina	4WD	1995	110	150	01.10-	■
2.5 AWD (SH9) (EJ255)	Gasolina	4WD	2457	169	230	06.08-09.13	■
2.5 Turbo AWD (SH9) (EJ255)	Gasolina	4WD	2457	193	262	02.11-09.13	■
2.5	Gasolina	FWD	2458	123	165	09.08-	■

LISTA DE APLICACIONES - BUYERS GUIDE

2.5 AWD (SHM) (FB25)		Gasolina	4WD	2498	126	171	03.11-09.13	■	
2.0 BiFuel AWD (EJ204)		Gasol./Gas (LPG)	4WD	1994	110	150	01.09-12.11	■	
FORESTER IV (SJ_) 11.12-					SUV (Compact SUV-J Segment)				
2.0 i AWD (SJ5) (FB20)		Gasolina	4WD	1995	110	150	03.13-	■	
2.5 AWD (SJ9) (FB25)		Gasolina	4WD	2498	126	171	11.12-	■	
2.0 BiFuel AWD (S13, SJ5) (FB20B)		Gasol./Gas (LPG)	4WD	1995	110	150	03.13-	■	
IMPREZA (GFC) 01.93-12.00					Coupe (Compact car-C Segment)				
2.0 AWD (GC8, GM8)		Gasolina	4WD	1994	206	280	09.98-09.00	■	
IMPREZA (GC) 08.92-09.01					Saloon (Compact car-C Segment)				
2.0 WRX STi AWD (GC8) (EJ20G)		Gasolina	4WD	1994	184	250	10.93-10.94	■	
2.0 AWD (GC8, GM8) (EJ205P)		Gasolina	4WD	1994	206	280	09.96-09.00	■	
IMPREZA II (GG) 10.00-					Estate (Compact car-C Segment)				
2.5 GB270 AWD (EJ255)		Gasolina	4WD	2457	198	269	07.07-12.07	■	
IMPREZA II (GD) 09.99-					Saloon (Compact car-C Segment)				
2.0 i WRX AWD (GDA) (EJ205)		Gasolina	4WD	1994	168	228	12.02-09.05	■	
2.0 AWD (GDA) (EJ20 (TURBO))		Gasolina	4WD	1994	184	250	10.05-03.07	■	
IMPREZA III (GR, GH, G3) 03.07-					Hatchback (Compact car-C Segment)				
2.5 WRX S AWD (EJ255)		Gasolina	4WD	2457	188	255	02.09-12.10	■	
2.5 WRX SE AWD (GRE) (EJ255)		Gasolina	4WD	2457	195	265	07.10-08.13	■	
2.5 WRX STI 330S AWD (EJ257)		Gasolina	4WD	2457	243	330	05.09-12.10	■	
IMPREZA III (GE, GV) 01.07-					Saloon (Compact car-C Segment)				
2.5 AWD (EJ25)		Gasolina	4WD	2457	121	165	08.08-10.10	■	
2.5 AWD (EJ255)		Gasolina	4WD	2457	169	230	10.08-	■	
2.5 WRX SE AWD (GVE, GEE) (EJ255)		Gasolina	4WD	2457	195	265	01.09-12.14	■	
2.5 AWD (EJ255)		Gasolina	4WD	2457	199	270	07.07-	■	
2.5 AWD (EJ257)		Gasolina	4WD	2457	199	270	07.07-	■	
2.5 AWD (EJ255)		Gasolina	4WD	2457	200	272	01.07-12.07	■	
IMPREZA IV / WRX (GP_) 10.11-					Hatchback (Compact car-C Segment)				
2.0 AWD (GP7) (FB20)		Gasolina	4WD	1995	110	150	01.12-	■	
2.0 Hybrid AWD (GPE)		Gasol./el éc.	4WD	1995	110	150	04.16-09.16	■	
IMPREZA IV / WRX (GJ_) 07.11-					Saloon (Compact car-C Segment)				
1.6 AWD (GJ3) (FB16)		Gasolina	4WD	1599	85	115	01.15-	■	
1.6 AWD (GJ3) (FB16A)		Gasolina	4WD	1600	84	114	06.12-09.16	■	
1.6 AWD (GJ3) (FB16B)		Gasolina	4WD	1600	84	114	06.12-09.16	■	
LEGACY III / LIBERTY (BH) 10.98-08.03					Estate (Executive car-E Segment)				
3.0 H6 AWD (BHE) (EZ30)		Gasolina	4WD	3000	154	209	08.00-08.03	■	
LEGACY III / LIBERTY (BE) 10.98-08.03					Saloon (Executive car-E Segment)				
3.0 H6 AWD (BEE)		Gasolina	4WD	3000	154	209	08.00-08.03	■	
LEGACY IV / LIBERTY (BL) 09.03-12.15					Saloon (Executive car-E Segment)				
2.0 2WD (EJ20Y)		Gasolina	RWD	1994	132	179	08.05-03.12	■	
LEGACY V / LIBERTY (BR) 06.08-12.14					Estate (Executive car-E Segment)				
2.5 i AWD (BR9) (EJ253)		Gasolina	4WD	2457	123	167	09.09-12.14	■	
2.5 i AWD (BR9) (EJ25)		Gasolina	4WD	2457	125	170	05.09-12.14	■	
2.5 i AWD (BRM) (FB25)		Gasolina	4WD	2498	127	173	07.12-12.14	■	

LISTA DE APLICACIONES - BUYERS GUIDE

2.5 CNG AWD (FB25B)		Gasol./Gas (CNG)	4WD	2498	127	173	04.13-12.14	■
2.0 D AWD (EE20)		Diesel	4WD	1998	108	147	01.13-12.14	■
2.0 D AWD (EE20Z)		Diesel	4WD	1998	108	147	01.13-12.14	■
OUTBACK III (BP) 09.03-06.10					Estate (Executive car-E Segment)			
2.0 AWD (BP5)		Gasolina	4WD	1994	101	137	09.03-10.05	■
2.5 AWD (BP9) (EJ25D)		Gasolina	4WD	2457	121	165	11.03-09.09	■
2.5 AWD (BP9)		Gasolina	4WD	2458	123	167	09.03-09.09	■
3.0 AWD (BPE) (EZ30)		Gasolina	4WD	3000	180	245	11.03-09.09	■
2.5 BiFuel AWD		Gasol./Gas (LPG)	4WD	2457	127	173	09.08-06.09	■
OUTBACK IV (BR) 06.09-					Estate (Executive car-E Segment)			
2.5 i AWD (EJ25)		Gasolina	4WD	2457	125	170	05.09-12.14	■
2.5 i AWD (EJ253)		Gasolina	4WD	2457	129	175	01.12-12.14	■
2.5 i AWD (BRM) (FB25)		Gasolina	4WD	2498	125	170	01.13-	■
3.6 AWD (EZ36D)		Gasolina	4WD	3630	183	249	06.11-12.14	■
2.5 BiFuel AWD (EJ253)		Gasol./Gas (LPG)	4WD	2457	123	167	01.10-12.14	■
2.5 BiFuel AWD (FB25B)		Gasol./Gas (LPG)	4WD	2498	127	173	01.13-12.14	■
2.5 CNG AWD (FB25B)		Gasol./Gas (CNG)	4WD	2498	127	173	06.14-12.14	■
OUTBACK / LIBERTY OUTBACK (BH) 10.98-08.03					Estate (Executive car-E Segment)			
2.5 AWD (BH9) (EJ25)		Gasolina	4WD	2457	115	156	10.00-08.03	■
XV CROSSTREK (_GP_) 09.11-					SUV (Compact car-C Segment)			
1.6 BiFuel AWD (G33GP, GP3) (FB16B)		Gasol./Gas (LPG)	4WD	1600	84	114	03.12-12.17	■
2.0 BiFuel AWD (G33GP, GP7) (FB20B)		Gasol./Gas (LPG)	4WD	1995	110	150	03.12-12.17	■
2.0 Hybrid AWD (GPE) (FB20)		Gasol./el éc.	4WD	1995	110	150	01.14-12.17	■
2.0 D AWD (EE20Z)		Diesel	4WD	1998	80	109	03.12-12.17	■
TOYOTA								
(ZN8) 09.21-					Coupe ()			
2.4 (ZN8BKE8)		Gasolina	RWD	2387	172	234	04.22-	■
2.4 (ZN8)		Gasolina	RWD	2387	174	237	05.22-	■
GT 86 / 86 / TOYOTA 86 (ZN6_) 03.12-					Coupe (Sports car-S Segment)			
2.0 (ZN6AC_, ZN6BC_, ZN6K) (4U-GSE)		Gasolina	RWD	1998	147	200	03.12-	■
2.0 (ZN6AC_, ZN6BC_, ZN6K) (FA20)		Gasolina	RWD	1998	147	200	03.12-	■
2.0 (ZN6AC_, ZN6BC_, ZN6K) (FA20D)		Gasolina	RWD	1998	147	200	03.12-	■
2.0 (ZN6) (FA20D)		Gasolina	RWD	1998	149	203	10.12-	■