

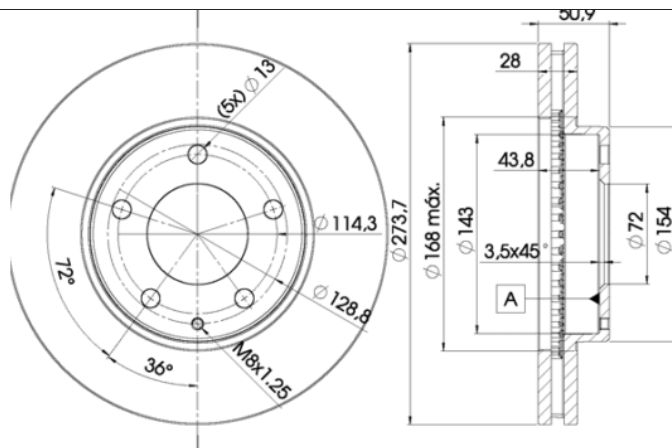
LISTA DE APLICACIONES - BUYERS GUIDE

78BD2671-2



Weight: 14.240

O.E.M.	MAKE
TY01-33-25X	MAZDA
TY01-33-25XA	MAZDA



78BD2671-2

E1 90R-02C0074/1560



Ø274x28x51

MAKE
EUNOS
MAZDA



Trac.	CC	Kw	CV
-------	----	----	----



EUNOS

800 (E65, TA) 09.93-12.02							Saloon (Executive car-E Segment)		
2.3 Miller (TA3A, TA3P) (KJ15)		Gasolina	FWD	2255	155	211	07.96-07.98		■
2.5 (KLZ5)		Gasolina	FWD	2497	120	163	09.00-12.02		■
2.5 (KL68)		Gasolina	FWD	2497	123	167	09.93-08.00		■

MAZDA

MPV I / 8 (LV) 09.88-09.99							MPV (Large MPV-M1 Segment)		
3.0 i V6 (LVEW) (JE94)		Gasolina	RWD	2954	109	148	11.89-09.99		■
3.0 i V6 (LVEW) (JE96)		Gasolina	RWD	2954	109	148	11.89-09.99		■
3.0 i V6 (LV10, LV12, LV521, LV321) (JE96)		Gasolina	RWD	2954	113	154	11.88-05.99		■
2.5 TD (LVLW) (WL11)		Diesel	RWD	2500	85	115	05.96-09.99		■
MPV II / 8 (LW) 08.99-12.06							MPV (Large MPV-M1 Segment)		
2.0 (LWEW) (FS)		Gasolina	FWD	1991	88	120	08.00-07.02		■
2.0 (LWEW) (FS-DS)		Gasolina	FWD	1991	90	122	09.99-08.00		■
2.3 (LW3W) (L3)	-12/03	Gasolina	FWD	2261	104	141	07.02-02.06		■
2.5 V6 (LW5W) (GY-DE)		Gasolina	FWD	2495	125	170	09.99-03.02		■
2.0 DI (RF5C)	-12/03	Diesel	FWD	1998	100	136	07.02-02.06		■
MPV III / 8 (LY) 02.06-							MPV (Large MPV-M1 Segment)		
2.3 (LY3P)		Gasolina	FWD	2261	120	163	02.06-12.16		■
2.3 4WD (LY3P)		Gasolina	4WD	2261	120	163	02.06-		■
2.3		Gasolina	FWD	2261	122	166	02.06-		■
2.3 4WD (LY3P)		Gasolina	4WD	2261	180	245	02.06-		■

LISTA DE APLICACIONES - BUYERS GUIDE

XEDOS 9 / EUNOS 800 / MILLENIA (TA) 07.93-09.02					Saloon (Executive car-E Segment)			
2.0 24V (KF)	Gasolina	FWD	1995	105	143	08.93-01.00	■	
2.0 (TAFP)	Gasolina	FWD	1995	118	160	08.98-08.02	■	
2.3 24V (TA3P) (KJ -ZEM)	Gasolina	FWD	2255	155	211	02.95-01.00	■	
2.5 (TA5P) (KL-ZE)	Gasolina	FWD	2496	147	200	09.00-09.02	■	
2.5 V6 (TA5P) (KL)	Gasolina	FWD	2497	120	163	07.00-09.02	■	
2.5 24V (TA5P) (KL)	Gasolina	FWD	2497	123	167	07.93-07.00	■	
2.5	Gasolina	FWD	2497	127	173	09.94-09.02	■	