

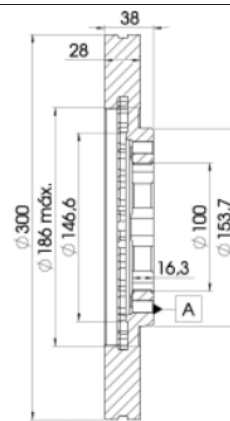
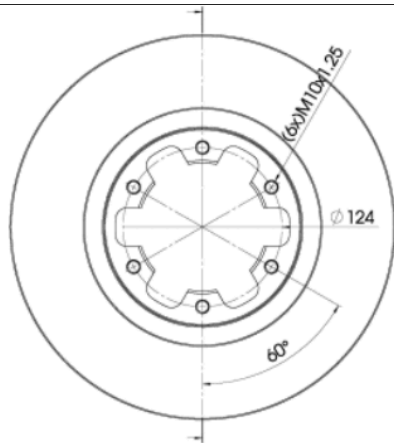
LISTA DE APLICACIONES - BUYERS GUIDE

78BD2772-2



Weight: 17.060

O.E.M.	MAKE
40206-1W600	NISSAN
40206-6W500	NISSAN
40206-VE800	NISSAN



78BD2772-2

E1 90R-02C0452/0127



Ø300x28x38

MAKE
INFINITI
NISSAN



Trac.	CC	Kw	CV
-------	----	----	----



Front / Rear

INFINITI

QX4 / QX56 (JR50, JA60) 01.97-						Closed Off-Road Vehicle (Luxury Crossover SUV-J Segment)			
3.3 (VG33E)	-10/02	Gasolina	4WD	3275	125	170	01.97-	■	
3.5 4WD (VQ35DE)		Gasolina	4WD	3498	179	243	09.00-12.03	■	

NISSAN

NAVARA I (D22) 03.97-						Platform/Chassis (LCVs-N1 Segment)			
2.4 i		Gasolina	RWD	2389	93	126	03.97-08.99	■	
2.4 4WD		Gasolina	4WD	2389	105	143	09.13-	■	
2.4 4WD		Gasolina	4WD	2389	110	150	08.99-12.05	■	
2.5 DI (YD25DDTI)		Diesel	RWD	2488	98	133	02.02-	■	
2.5 DI (YD25ETI)		Diesel	RWD	2488	98	133	02.02-	■	
2.5 Di 4WD (YD25DDTI)		Diesel	4WD	2488	98	133	02.02-	■	

NAVARA I / BIG M / FRONTIER / HARDBODY (D22) 01.97-						Pickup (Pick-Up Truck)			
3.0 4x4 (VG30E)		Gasolina	4WD	2960	120	163	05.00-	■	
3.3 4x4		Gasolina	4WD	3275	157	214	09.97-12.04	■	
2.5 D 4x4 (YD25DDTI)	-01/05	Diesel	4WD	2488	98	133	11.01-	■	
2.5 TDiC 4x4 (TD25TI)		Diesel	4WD	2494	76	103	05.98-10.01	■	
3.0 TD 4x4 (ZD30DDT)		Diesel	4WD	2953	110	150	02.00-09.04	■	
3.0 TD 4x4		Diesel	4WD	2953	110	150	02.00-09.04	■	

NP300 NAVARA II / FRONTIER (D22) 04.08-						Pickup (Pick-Up Truck)			
2.4 4x4		Gasolina	4WD	2389	105	143	08.08-	■	

PATHFINDER II / TERRANO (R50) 09.95-07.05						Closed Off-Road Vehicle (Compact SUV-J Segment)			
3.3 V6 4WD (VG33E)		Gasolina	4WD	3275	110	150	03.98-10.00	■	

LISTA DE APLICACIONES - BUYERS GUIDE

3.3 (VG33E)		Gasolina	RWD	3275	125	170	05.99-12.04	■	
3.3 V6 4WD (VG33E)		Gasolina	4WD	3275	125	170	09.97-12.04	■	
3.5 V6 4WD (VQ35)		Gasolina	4WD	3498	162	220	11.00-12.04	■	
3.5		Gasolina	RWD	3498	179	243	09.00-12.04	■	
3.5 4WD		Gasolina	4WD	3498	179	243	08.01-07.04	■	
2.7 TD 4WD (PR50) (TD27ETI)	03/98-, -10/00	Diesel	4WD	2664	96	131	09.95-12.04	■	
2.8 TD 4WD		Diesel	4WD	2798	101	137	05.01-12.04	■	
3.0 DDTi 4WD (ZD30DDTI)		Diesel	4WD	2953	125	170	09.99-12.04	■	
3.2 TD 4WD (QD32ETI)	11/01-	Diesel	4WD	3153	110	150	09.95-12.04	■	
PICK UP / NAVARA I (D22) 01.97-							Pickup (Pick-Up Truck)		
2.4 i 4WD (KA24DE)		Gasolina	4WD	2389	98	133	03.02-04.05	■	
2.4 4WD (KA24DE)		Gasolina	4WD	2389	110	150	11.01-	■	
3.0		Gasolina	RWD	2960	120	163	01.97-09.01	■	
3.0 4WD		Gasolina	4WD	2960	120	163	02.98-10.01	■	
2.5 dCi 4WD (YD25DDTI)		Diesel	4WD	2488	98	133	03.02-	■	
2.5 DI (YD25DDTI)	vehicles without ABS	Diesel	RWD	2488	98	133	03.02-12.12	■	
2.5 Di 4WD		Diesel	4WD	2488	98	133	03.02-04.05	■	
3.0 TD		Diesel	RWD	2953	110	150	11.01-04.05	■	
3.0 TD 4WD		Diesel	4WD	2953	110	150	11.01-04.05	■	
3.2 D 4WD (QD32)		Diesel	4WD	3153	76	103	02.97-04.05	■	