

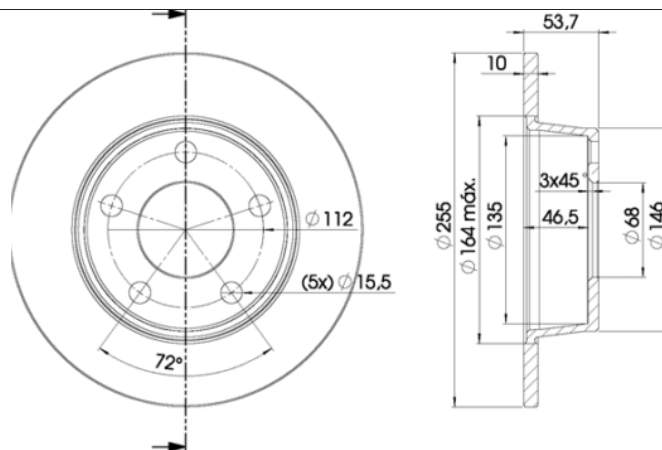
# LISTA DE APLICACIONES - BUYERS GUIDE

## 78BD2880-2



Weight: 7.710

| O.E.M.        | MAKE |
|---------------|------|
| 4B0 615 601 A | AUDI |



## 78BD2880-2

**E1** 90R-02C0100/0946



Ø255x10x53.7

| MAKE |
|------|
| AUDI |



| Trac. | CC | Kw | CV |
|-------|----|----|----|
|-------|----|----|----|



Front / Rear

### AUDI

#### A6 II C5 Avant (4B5, 4B6) 11.97-01.06

#### Estate (Executive car-E Segment)

| Model               | Code   | Fuel     | Drivetrain | CC   | Kw  | CV  | Year Range  | Position |
|---------------------|--------|----------|------------|------|-----|-----|-------------|----------|
| 1.8 T quattro (AEB) | PR 0N5 | Gasolina | 4WD        | 1781 | 110 | 150 | 12.97-01.05 | ■        |
| 1.8 T quattro (ANB) | PR 0N5 | Gasolina | 4WD        | 1781 | 110 | 150 | 12.97-01.05 | ■        |
| 1.8 T quattro (APU) | PR 0N5 | Gasolina | 4WD        | 1781 | 110 | 150 | 12.97-01.05 | ■        |
| 1.8 T quattro (ARK) | PR 0N5 | Gasolina | 4WD        | 1781 | 110 | 150 | 12.97-01.05 | ■        |
| 1.8 T quattro (AWT) | PR 0N5 | Gasolina | 4WD        | 1781 | 110 | 150 | 12.97-01.05 | ■        |
| 1.8 T quattro (AJL) | PR 0N5 | Gasolina | 4WD        | 1781 | 132 | 180 | 12.97-01.05 | ■        |
| 2.4 quattro (APC)   | PR 0N5 | Gasolina | 4WD        | 2393 | 115 | 156 | 08.98-05.01 | ■        |
| 2.4 quattro (AJG)   | PR 0N5 | Gasolina | 4WD        | 2393 | 120 | 163 | 12.97-01.05 | ■        |
| 2.4 quattro (APZ)   | PR 0N5 | Gasolina | 4WD        | 2393 | 120 | 163 | 12.97-01.05 | ■        |
| 2.4 quattro (AGA)   | PR 0N5 | Gasolina | 4WD        | 2393 | 121 | 165 | 12.97-01.05 | ■        |
| 2.4 quattro (ALF)   | PR 0N5 | Gasolina | 4WD        | 2393 | 121 | 165 | 12.97-01.05 | ■        |
| 2.4 quattro (AML)   | PR 0N5 | Gasolina | 4WD        | 2393 | 121 | 165 | 12.97-01.05 | ■        |
| 2.4 quattro (APS)   | PR 0N5 | Gasolina | 4WD        | 2393 | 121 | 165 | 12.97-01.05 | ■        |
| 2.4 quattro (ARJ)   | PR 0N5 | Gasolina | 4WD        | 2393 | 121 | 165 | 12.97-01.05 | ■        |
| 2.4 quattro (BDV)   | PR 0N5 | Gasolina | 4WD        | 2393 | 125 | 170 | 08.01-01.05 | ■        |
| 2.7 T quattro (AJK) | PR 0N5 | Gasolina | 4WD        | 2671 | 169 | 230 | 12.97-01.05 | ■        |
| 2.7 T quattro (AZA) | PR 0N5 | Gasolina | 4WD        | 2671 | 169 | 230 | 12.97-01.05 | ■        |
| 2.7 T quattro (ARE) | PR 0N5 | Gasolina | 4WD        | 2671 | 184 | 250 | 08.01-01.05 | ■        |
| 2.7 T quattro (BES) | PR 0N5 | Gasolina | 4WD        | 2671 | 184 | 250 | 08.01-01.05 | ■        |
| 2.8 quattro         |        | Gasolina | 4WD        | 2771 | 140 | 190 | 08.98-04.01 | ■        |
| 2.8 quattro (ACK)   | PR 0N5 | Gasolina | 4WD        | 2771 | 142 | 193 | 12.97-01.05 | ■        |
| 2.8 quattro (ALG)   | PR 0N5 | Gasolina | 4WD        | 2771 | 142 | 193 | 12.97-01.05 | ■        |
| 2.8 quattro (AMX)   | PR 0N5 | Gasolina | 4WD        | 2771 | 142 | 193 | 12.97-01.05 | ■        |

## LISTA DE APLICACIONES - BUYERS GUIDE

|  |        |          |     |   |     |     |             |   |
|--|--------|----------|-----|---|-----|-----|-------------|---|
| 2.8 quattro (APR)                      | PR 0N5 | Gasolina | 4WD | 2771                                    | 142 | 193 | 12.97-01.05 | ■ |
| 2.8 quattro (AQD)                      | PR 0N5 | Gasolina | 4WD | 2771                                    | 142 | 193 | 12.97-01.05 | ■ |
| 2.8 quattro (ATQ)                      | PR 0N5 | Gasolina | 4WD | 2771                                    | 142 | 193 | 12.97-01.05 | ■ |
| 3.0 quattro (ASN)                      | PR 0N5 | Gasolina | 4WD | 2976                                    | 162 | 220 | 08.01-01.05 | ■ |
| 2.5 TDI quattro (AFB)                  | PR 0N5 | Diesel   | 4WD | 2496                                    | 110 | 150 | 12.97-01.05 | ■ |
| 2.5 TDI quattro (AKN)                  | PR 0N5 | Diesel   | 4WD | 2496                                    | 110 | 150 | 12.97-01.05 | ■ |
| 2.5 TDI quattro (AKE)                  | PR 0N5 | Diesel   | 4WD | 2496                                    | 132 | 180 | 02.00-01.05 | ■ |
| 2.5 TDI quattro (BAU)                  | PR 0N5 | Diesel   | 4WD | 2496                                    | 132 | 180 | 02.00-01.05 | ■ |
| 2.5 TDI quattro (BDH)                  | PR 0N5 | Diesel   | 4WD | 2496                                    | 132 | 180 | 02.00-01.05 | ■ |
| <b>A6 II C5 (4B2, 4B4) 01.97-12.05</b> |        |          |     | <b>Saloon (Executive car-E Segment)</b> |     |     |             |   |
| 1.8 T quattro (AEB)                    | PR 0N5 | Gasolina | 4WD | 1781                                    | 110 | 150 | 02.97-01.05 | ■ |
| 1.8 T quattro (ANB)                    | PR 0N5 | Gasolina | 4WD | 1781                                    | 110 | 150 | 02.97-01.05 | ■ |
| 1.8 T quattro (APU)                    | PR 0N5 | Gasolina | 4WD | 1781                                    | 110 | 150 | 02.97-01.05 | ■ |
| 1.8 T quattro (ARK)                    | PR 0N5 | Gasolina | 4WD | 1781                                    | 110 | 150 | 02.97-01.05 | ■ |
| 1.8 T quattro (AWT)                    | PR 0N5 | Gasolina | 4WD | 1781                                    | 110 | 150 | 02.97-01.05 | ■ |
| 1.8 T quattro (AJL)                    | PR 0N5 | Gasolina | 4WD | 1781                                    | 132 | 180 | 12.97-01.05 | ■ |
| 2.4 quattro (APC)                      | PR 0N5 | Gasolina | 4WD | 2393                                    | 115 | 156 | 08.98-07.99 | ■ |
| 2.4 quattro (AJG)                      | PR 0N5 | Gasolina | 4WD | 2393                                    | 120 | 163 | 02.97-01.05 | ■ |
| 2.4 quattro (APZ)                      | PR 0N5 | Gasolina | 4WD | 2393                                    | 120 | 163 | 02.97-01.05 | ■ |
| 2.4 quattro (AGA)                      | PR 0N5 | Gasolina | 4WD | 2393                                    | 121 | 165 | 02.97-01.05 | ■ |
| 2.4 quattro (ALF)                      | PR 0N5 | Gasolina | 4WD | 2393                                    | 121 | 165 | 02.97-01.05 | ■ |
| 2.4 quattro (AML)                      | PR 0N5 | Gasolina | 4WD | 2393                                    | 121 | 165 | 02.97-01.05 | ■ |
| 2.4 quattro (APS)                      | PR 0N5 | Gasolina | 4WD | 2393                                    | 121 | 165 | 02.97-01.05 | ■ |
| 2.4 quattro (ARJ)                      | PR 0N5 | Gasolina | 4WD | 2393                                    | 121 | 165 | 02.97-01.05 | ■ |
| 2.4 quattro (BDV)                      | PR 0N5 | Gasolina | 4WD | 2393                                    | 125 | 170 | 08.01-01.05 | ■ |
| 2.7 T quattro (AJK)                    | PR 0N5 | Gasolina | 4WD | 2671                                    | 169 | 230 | 12.97-01.05 | ■ |
| 2.7 T quattro (AZA)                    | PR 0N5 | Gasolina | 4WD | 2671                                    | 169 | 230 | 12.97-01.05 | ■ |
| 2.7 T quattro (ARE)                    | PR 0N5 | Gasolina | 4WD | 2671                                    | 184 | 250 | 08.01-01.05 | ■ |
| 2.7 T quattro (BES)                    | PR 0N5 | Gasolina | 4WD | 2671                                    | 184 | 250 | 08.01-01.05 | ■ |
| 2.7 quattro (APB)                      |        | Gasolina | 4WD | 2671                                    | 187 | 254 | 05.01-07.04 | ■ |
| 2.7 quattro (BEL)                      |        | Gasolina | 4WD | 2671                                    | 187 | 254 | 05.01-07.04 | ■ |
| 2.8 quattro (ATX)                      | PR 0N5 | Gasolina | 4WD | 2771                                    | 140 | 190 | 07.99-05.01 | ■ |
| 2.8 quattro (ACK)                      | PR 0N5 | Gasolina | 4WD | 2771                                    | 142 | 193 | 02.97-01.05 | ■ |
| 2.8 quattro (ALG)                      | PR 0N5 | Gasolina | 4WD | 2771                                    | 142 | 193 | 02.97-01.05 | ■ |
| 2.8 quattro (AMX)                      | PR 0N5 | Gasolina | 4WD | 2771                                    | 142 | 193 | 02.97-01.05 | ■ |
| 2.8 quattro (APR)                      | PR 0N5 | Gasolina | 4WD | 2771                                    | 142 | 193 | 02.97-01.05 | ■ |
| 2.8 quattro (AQD)                      | PR 0N5 | Gasolina | 4WD | 2771                                    | 142 | 193 | 02.97-01.05 | ■ |
| 2.8 quattro (ATQ)                      | PR 0N5 | Gasolina | 4WD | 2771                                    | 142 | 193 | 02.97-01.05 | ■ |
| 3.0 quattro (ASN)                      | PR 0N5 | Gasolina | 4WD | 2976                                    | 162 | 220 | 08.01-01.05 | ■ |
| 2.5 TDI quattro (AFB)                  | PR 0N5 | Diesel   | 4WD | 2496                                    | 110 | 150 | 07.97-01.05 | ■ |
| 2.5 TDI quattro (AKN)                  | PR 0N5 | Diesel   | 4WD | 2496                                    | 110 | 150 | 07.97-01.05 | ■ |
| 2.5 TDI quattro (AKE)                  | PR 0N5 | Diesel   | 4WD | 2496                                    | 132 | 180 | 02.00-01.05 | ■ |
| 2.5 TDI quattro (BAU)                  | PR 0N5 | Diesel   | 4WD | 2496                                    | 132 | 180 | 02.00-01.05 | ■ |
| 2.5 TDI quattro (BDH)                  | PR 0N5 | Diesel   | 4WD | 2496                                    | 132 | 180 | 02.00-01.05 | ■ |