

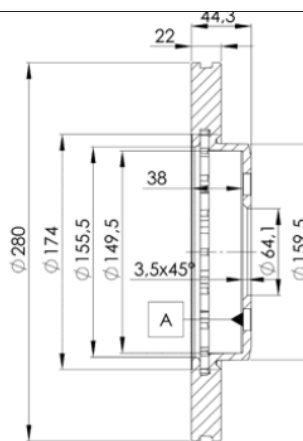
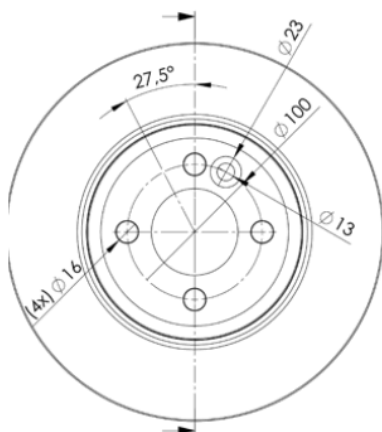
LISTA DE APLICACIONES - BUYERS GUIDE

78BD2893-2



Weight: 11.224

O.E.M.	MAKE
34 11 6 858 651	MINI
3411 6 774 985	MINI



78BD2893-2

E1 90R-02C0452/0118



Ø280x22x44.3

MAKE
MINI



Trac.	CC	Kw	CV
-------	----	----	----



Front / Rear

MINI

							Convertible (Supermini car-B Segment)			
MINI (R57) 10.07-12.15										
One (N16 B16 A)		Gasolina	FWD	1598	72	98	09.09-06.15	■		
Cooper (N16 B16 A)		Gasolina	FWD	1598	90	122	03.10-06.15	■		
Cooper D (N47 C16 A)		Diesel	FWD	1598	82	112	05.09-11.13	■		
Cooper D (N47 C20 A)	not sports package	Diesel	FWD	1995	82	112	02.11-05.15	■		
Cooper SD (N47 C20 A)		Diesel	FWD	1995	100	136	01.11-05.15	■		
Cooper SD (N47 C20 A)		Diesel	FWD	1995	100	136	11.11-04.15	■		
Cooper SD (N47 C20 A)	not sports package	Diesel	FWD	1995	105	143	06.09-05.15	■		
Cooper SD (N47 C20 A)	not sports package	Diesel	FWD	1995	105	143	11.11-04.15	■		
MINI (R58) 12.10-05.15							Coupe (Supermini car-B Segment)			
Cooper (N16 B16 A)		Gasolina	FWD	1598	85	115	12.10-04.15	■		
1.6 Cooper (N16 B16 A)		Gasolina	FWD	1598	88	120	10.14-05.15	■		
Cooper SD (N47 C20 A)		Diesel	FWD	1995	100	136	12.10-05.15	■		
MINI (R56) 11.05-01.14							Hatchback (Supermini car-B Segment)			
One (N16 B16 A)		Gasolina	FWD	1598	55	75	03.10-11.13	■		
One (N16 B16 A)		Gasolina	FWD	1598	72	98	03.10-11.13	■		
Cooper (N12 B16 A)	not sports package	Gasolina	FWD	1598	85	115	09.06-11.13	■		
Cooper (N16 B16 A)	not sports package	Gasolina	FWD	1598	85	115	09.06-11.13	■		
Cooper (N12 B16 A)		Gasolina	FWD	1598	90	122	09.09-11.13	■		
Cooper (N16 B16 A)		Gasolina	FWD	1598	90	122	09.09-11.13	■		
One LPG (N12 B14 A)		Gasol./Gas (LPG)	FWD	1397	55	75	03.09-03.10	■		
One D (9HZ (DV6TED4))		Diesel	FWD	1560	66	90	06.09-07.10	■		

LISTA DE APLICACIONES - BUYERS GUIDE

One D (N47 C16 A)	not sports package	Diesel	FWD	1598	66	90	07.10-11.13	■	
Cooper D (N47 C16 A)		Diesel	FWD	1598	82	112	06.10-11.13	■	
Cooper D (N47 C20 A)	not sports package	Diesel	FWD	1995	82	112	02.11-11.13	■	
Cooper SD (N47 C20 A)	not sports package	Diesel	FWD	1995	100	136	02.11-11.13	■	
Cooper SD (N47 C20 A)		Diesel	FWD	1995	105	143	02.11-11.13	■	
MINI CLUBMAN (R55) 10.06-12.15					Estate (Supermini car-B Segment)				
One (N12 B14 A)		Gasolina	FWD	1397	70	95	03.09-02.10	■	
One (N16 B16 A)		Gasolina	FWD	1598	72	98	03.10-06.14	■	
Cooper (N16 B16 A)		Gasolina	FWD	1598	85	115	03.10-06.14	■	
Cooper (N12 B16 A)		Gasolina	FWD	1598	88	120	10.07-12.13	■	
Cooper (N16 B16 A)		Gasolina	FWD	1598	88	120	10.07-12.13	■	
Cooper (N16 B16 A)		Gasolina	FWD	1598	90	122	03.10-06.14	■	
Cooper D (9HZ (DV6TED4))		Diesel	FWD	1560	80	109	10.07-02.10	■	
One D (N47 C16 A)		Diesel	FWD	1598	66	90	03.10-06.14	■	
Cooper D (N47 C16 A)		Diesel	FWD	1598	82	112	03.10-06.14	■	
Cooper D (N47 C20 A)	not sports package	Diesel	FWD	1995	82	112	02.11-06.14	■	
Cooper SD (N47 C20 A)		Diesel	FWD	1995	100	136	02.11-06.14	■	
Cooper SD (N47 C20 A)	not sports package	Diesel	FWD	1995	105	143	02.11-06.14	■	